

SONY[®]

Active Subwoofer

Operating Instructions _____ **GB**Manual de instrucciones _____ **ES****Owner's Record**

The model number and serial numbers are located on the rear of the unit. Record the serial number in the space provided below. Refer to them whenever you call upon your Sony dealer regarding this product.

Model No. SA-WM40

Serial No. _____

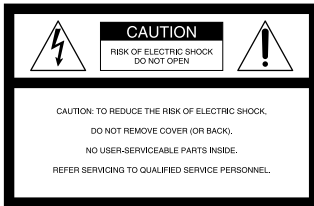
SA-WM40

WARNING

To prevent fire or shock hazard, do not expose the unit to rain or moisture.

Do not install the appliance in a confined space, such as a bookcase or built-in cabinet.

For the customers in the U.S.A.



This symbol is intended to alert the user to the presence of uninsulated “dangerous voltage” within the product’s enclosure that may be of sufficient magnitude to constitute a risk of electric shock to persons.



This symbol is intended to alert the user to the presence of important operating and maintenance (servicing) instructions in the literature accompanying the appliance.

CAUTION

You are cautioned that any changes or modifications not expressly approved in this manual could void your authority to operate this equipment.

CAUTION

Use of this appliance with some systems may present a shock or fire hazard. Do not use with any units which have the following marking located near output. WARNING: HAZARDOUS ENERGY!

Note to CATV system installer:

This reminder is provided to call CATV system installer’s attention to Article 820-40 of the NEC that provides guidelines for proper grounding and, in particular, specifies that the cable ground shall be connected to the grounding system of the building, as close to the point of cable entry as practical.

For detailed safety precautions, see the leaflet “IMPORTANT SAFEGUARDS” included with this manual in the vinyl bag.



ENERGY STAR® is a U.S. registered mark. As an ENERGY STAR® Partner, Sony Corporation has determined that this product meets the ENERGY STAR® guidelines for energy efficiency.

Welcome!

Thank you for purchasing the Sony Active Subwoofer. Before operating this woofer, please read this manual thoroughly and retain it for future reference.

TABLE OF CONTENTS

Getting Started

- Unpacking **4**
 - Installation **4**
 - Hooking Up the System **5**
-

Basic Operations

- Listening to the Sound **8**
 - Adjusting the Sound **9**
-

Additional Information

- Precautions **10**
- Troubleshooting **10**
- Specifications **11**

GB

Unpacking

Check that you received the following items:

- Audio connecting cord (1)
- Speaker cords (2)

Installation

Since the human ear cannot detect the direction and position where the bass sound being reproduced by a woofer (below 170 Hz) comes from, you can install the woofer wherever you like in your room. To obtain a better bass reproduction, we recommend you to install the woofer on a solid floor where the resonance is unlikely to occur.

You can obtain a sufficient heavy bass reproduction from a single woofer. However if you use a couple of the woofers, you can obtain an even more effective heavy bass reproduction.

Notes

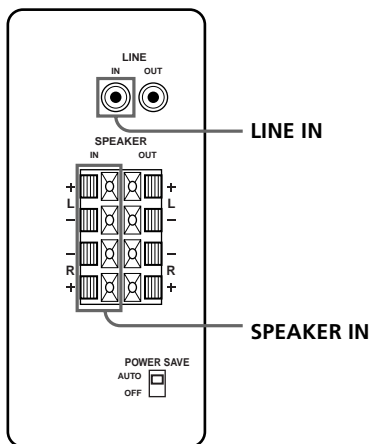
- Always install the woofer vertically, keeping a few centimeters from away the wall.
- Do not place an object on the woofer or sit on it.
- If the woofer is installed in the center of a room, the bass could be extremely weakened. This is due to the influence of the standing wave of the room. If this happened, move the woofer away from the center of a room or eliminate the cause of the standing wave, by installing a bookshelf on the wall, etc.

Hooking Up the System

Overview

Use the LINE IN jacks or the SPEAKER IN terminals of the woofer when you connect the amplifier.

- If your amplifier has one of the following types of output jacks, connect the LINE IN jack and the amplifier's jack using the supplied audio connecting cord.
 - MONO OUT jack
 - MIX OUT jack
 - SUBWOOFER output jack(s)
 - SUPER WOOFER output jack(s)
- If your amplifier does not have the above mentioned output jacks, connect the speaker terminals of the amplifier to the SPEAKER IN terminals instead.



Before you get started

- Turn off the power of the amplifier and the woofer before making any connection.
- Use the audio connecting cords that are supplied to the respective equipment. If there are not enough audio connecting cords to make the necessary connections, you need to purchase some optional audio connecting cords.
- Be sure to make connections firmly to avoid noise.
- Connect the AC power cord from the woofer to a wall outlet.
- You cannot connect the CENTER output jack for use with Dolby Pro Logic function to the woofer. Bass sound is not output with some Dolby Pro Logic modes.

(continued)

Connecting to an amplifier with a single set of speaker terminals

If your amplifier is equipped with a single set of speaker terminals, connect the woofer to the amplifier, and then connect the front speakers to the woofer.

What cords will I need?

Speaker cord (supplied) (1 for each speaker)

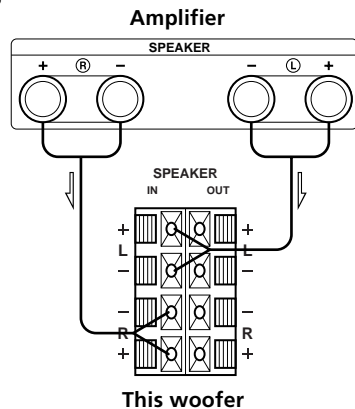


Twist the stripped ends of the cord about $\frac{2}{3}$ inch (15 mm). Be sure to match the speaker cord to the appropriate terminal on the components: + to + and - to -. If the cords are reversed, the sound will be distorted and will lack bass. It is useful to decide that the speaker cord marked with a line is always the negative (-) and should be connected to the negative (-) terminal to avoid any improper connections.

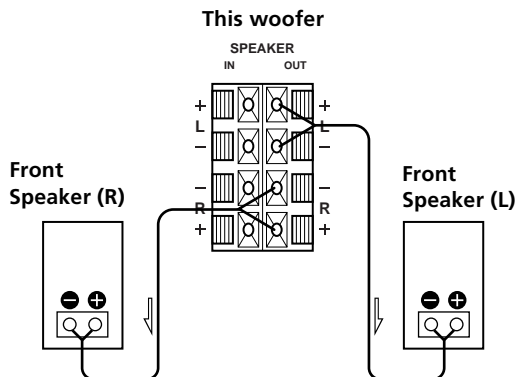
Hookups

- 1 Connect the woofer to the amplifier. Connect the SPEAKER IN terminals of the woofer to the amplifier's speaker terminals with the speaker cords. Be sure to connect both L and R channels.

→: signal flow



- 2 Connect the front speakers to the woofer. Connect the speakers to the speaker terminals of the woofer.



Connecting to an amplifier with double (A+B) sets of speaker terminals

If your amplifier has double (A+B) sets of speaker terminals, connect both the woofer and the front speakers to the amplifier.

What cords will I need?

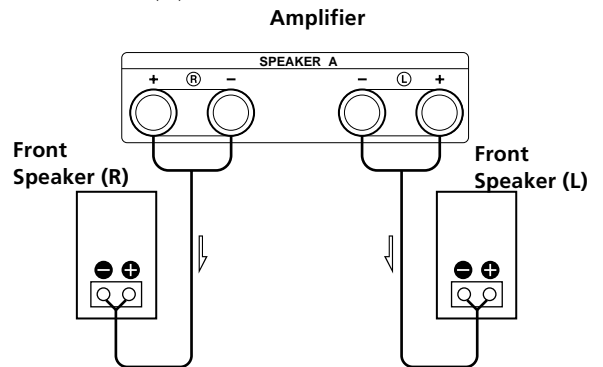
Speaker cord (supplied) (1 for each speaker)



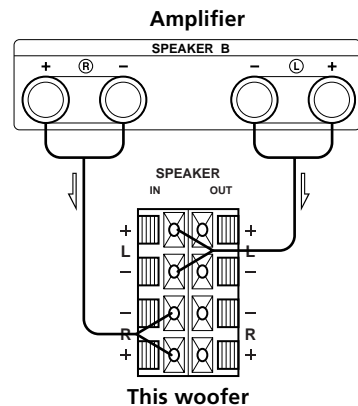
Twist the stripped ends of the cord about $\frac{2}{3}$ inch (15 mm).

Hookups

- 1 Connect the front speakers to the amplifier. Connect the speakers to your amplifier's speaker terminals (A).



- 2 Connect the woofer to the amplifier. Connect the SPEAKER IN terminals of the woofer to the amplifier's speaker terminals (B) using speaker cords (supplied).



When using the double (A+B) sets of speakers, make sure that you select the "A+B" position with your amplifier.

Note

When you are using speaker terminal (A) only (front speaker only) or when the power of the amplifier is turned off, turn down the volume or turn off the power of the woofer otherwise, hum noise may be heard.

Connecting to an amplifier with a special jack for a subwoofer

If your amplifier has a special jack for a subwoofer (like a MONO OUT jack, MIX OUT jack, SUBWOOFER jack or SUPER WOOFER jack), connect the LINE IN jack of the woofer to one of those jacks.

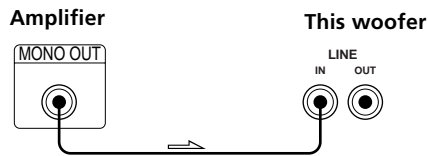
What cords will I need?

Audio connecting cord (supplied) (1)



Hookups

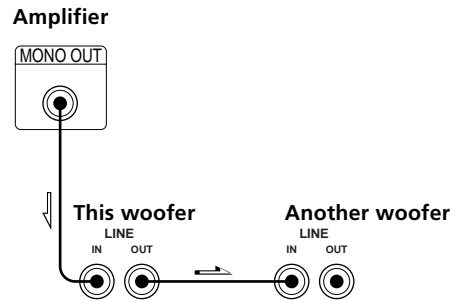
Connect the MONO OUT jack of your amplifier to the LINE IN jack of the woofer with the supplied audio connecting cord.



Note

If the output level of your amplifier is not large enough, the sound may not be loud enough. In this case, connect the speaker terminals of the amplifier directly to the SPEAKER IN terminals of the woofer.

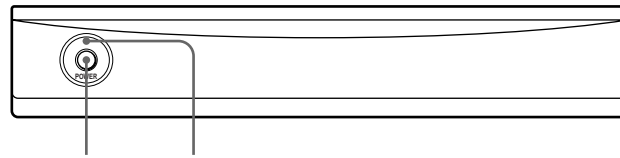
When using two or more subwoofers



Connecting the AC power cord

- Connect the AC power cord from the woofer and from your amplifier to a wall outlet.
- Make sure that power to the woofer is turned off before you plug in or unplug any power cord.

Listening to the Sound



POWER (I/O) POWER indicator

Note

Never set the amplifier's tone control (BASS, TREBLE, etc.) or the equalizer output to a high level or input sinewaves of 20 Hz to 50 Hz recorded on a commercially-available test disc or special sound (bass sound of electronic musical instrument, pop noise of analog disc turntable, sound with abnormally enhanced bass, etc.) in a high level to this unit. These actions may cause damage to the speakers. When a special disc containing abnormally enhanced bass is played, noise may be output in addition to the original sound. In such a case, decrease the sound level.

Note

The subwoofer output signal (DOLBY digital (AC-3) signal) of the digital surround processor sold singularly is set 10 dB higher by Dolby laboratories Licensing Corporation. In the case of using normally, adjust the subwoofer level.

Note

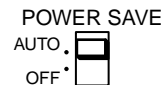
If you turn down the volume level of the woofer too low, the auto power on/off function may activate, causing the woofer to enter power saving mode.

- 1** Turn on the amplifier and select the program source.
- 2** Press POWER (I/O).
The woofer turns on and the POWER indicator lights up in green.
- 3** Play the program source.
Adjust the VOLUME so that sound from the front speakers is not distorted.
If it is distorted, the sound from the woofer will also be distorted.

To turn on and off the power automatically – Auto power on/off function

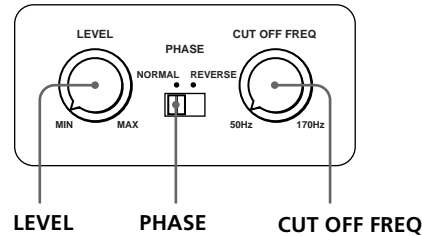
When the woofer is on (i.e, the POWER indicator lights up green) and there is no signal input for about seven minutes, the POWER indicator changes to red and the woofer enters power saving mode. While in this mode a signal is input to the woofer, the woofer automatically turns on (auto power on/off function).

To turn this feature off, slide the POWER SAVE switch on the rear panel to OFF.



Adjusting the Sound

You can adjust the sound of the woofer to suit the sound of your front speakers. Reinforcing the bass sound gives you a greater sense of atmosphere.



Note

If the sound distorts when you turn on the bass reinforcement from your amplifier (such as, DBFB, GROOVE, the graphic equalizer, etc.), turn off the bass reinforcement and adjust the sound.

Note

Do not turn the volume of the woofer to maximum. Doing so may weaken the bass sound. Moreover, extraneous noise may be heard.

Note

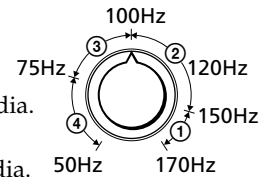
Selecting NORMAL or REVERSE with the PHASE selector reverses the polarity and may provide better bass reproduction in certain listening environments (depending on the type of front speakers, the position of the woofer and the adjustment of the cut-off frequency). It may also change the expanse and tightness of sound, and effect the feeling of the sound field. Select the setting that provides the sound you prefer when listening in your normal listening position.

1 Adjust the cut-off frequency.

Turn the CUT OFF FREQ control, depending on the reproduction frequencies of your front speakers.

Refer to the following when adjusting.

- ① Typical very small sized speakers: 5 – 7 cm dia.
- ② Typical small sized speakers: 8 – 15 cm dia.
- ③ Typical medium sized speakers: 16 – 24 cm dia.
- ④ Typical large sized speakers: more than 25 cm dia.



To make the most of the low level converter function of Dolby digital, turn the CUT OFF FREQ as high as possible when playing back the Dolby digital (AC-3).

2 Adjust the volume level of the woofer.

Turn the LEVEL control so that you can hear the bass sound a little more than before. To increase the volume, turn the control clockwise. To decrease the volume, turn the control counterclockwise.

3 Play your favorite song and movie.

Male vocal tunes and voice containing bass sounds are most suitable for adjustment. Turn the volume for front speakers to the same level as usual.

4 Select the phase polarity.

Use the PHASE selector to select the phase polarity.

5 Repeat steps 1 to 4 to adjust for your preference.

Once you have adjusted the woofer to the settings you desire, use the VOLUME control on the amplifier to adjust the volume of the woofer with that of the other speakers. You don't need to adjust the woofer settings when you change the volume level of the amplifier.

Precautions

On safety

- Before operating the woofer, be sure that the operating voltage of your woofer is identical with that of your local power supply.
- Unplug the woofer from the wall outlet if it is not to be used for an extended period of time. To disconnect the cord, pull the cord by grasping the plug. Never pull the cord itself.
- Should any liquid or solid object fall into the woofer, unplug the woofer and have the woofer checked by qualified personnel before operating it any further.
- AC power cord must be changed only at the qualified service shop.

When turning on or off an amplifier or other equipment

Lower the volume of the amplifier to minimum.

To avoid damaging the woofer

- Be careful in setting the volume control of the amplifier to avoid an excessive input power.
- Do not attempt to open the enclosure or remold speaker units and networks.

In case color irregularity is observed on the nearby TV screen

With the magnetically shielded type of the speaker system, the speakers can be installed near a TV set. However, color irregularity may still be observed on the TV screen depending on the type of your TV set.

If color irregularity is observed...

→ Turn off the TV set once, then turn it on after 15 to 30 minutes.

If color irregularity is observed again...

→ Place the speakers further apart from the TV set.

When howling occurs

Relocate the speaker or turn down the volume of the amplifier.

On installation

- Do not install the woofer near heat sources such as radiators or air ducts, or in a place subject to direct sunlight, excessive dust, mechanical vibration or shock.
- Good ventilation is essential to prevent internal heat build-up in the woofer. Place the woofer in a location with adequate air circulation. Do not place the woofer on a soft surface or too close to a wall as this may obstruct the ventilation hole on the back.
- Use caution when placing the speaker on a specially treated (waxed, oiled, polished, etc.) floor, as staining or discoloration may result.

On cleaning the cabinet

Clean the cabinet with a soft cloth lightly moistened with water. Do not use any type of abrasive pad, scouring powder or solvent such as alcohol or benzine.

If you have any questions or problems concerning your woofer that is not covered in this manual, please consult your nearest Sony dealer.

Troubleshooting

If you experience any of the following difficulties while using the woofer, use this troubleshooting guide to help you remedy the problem. Should any problem persist, consult your nearest Sony dealer.

There's no sound.

- ➔ Check that this woofer and components are connected correctly and securely.
- ➔ Turn LEVEL clockwise to turn the volume up.
- ➔ Select SPEAKER or LINE with IN PUT selector.
- ➔ Reset the level.

The sound has suddenly stopped.

- ➔ The speaker cords may have short-circuited. Connect the cords properly.

The sound is distorted.

- ➔ The input signal is imperfect.
- ➔ The input signal level is too high.
- ➔ Set the CUT OFF FREQ as high as possible when playing back the Dolby digital (AC-3).

Severe hum or noise is heard.

- ➔ Connect the ground wire of the turntable properly.
- ➔ The contacts between the plugs of the connecting cords and the corresponding jacks have not been made properly. Connect the plugs firmly.
- ➔ The audio system is picking up some noise from a TV set. Move the audio system away from the TV set or turn the TV set off.

Specifications

For the U.S.A. model

AUDIO POWER SPECIFICATIONS

POWER OUTPUT AND TOTAL HARMONIC
DISTORTION:

With 8 ohm loads, from 20 – 170 Hz; rated 120 watts,
minimum RMS power, with no more than 0.8 % total
harmonic distortion from 250 milliwatts to rated
output.

System

Type Active Subwoofer (magnetically shielded design)

Speaker unit

Woofer: 30 cm dia. (12 in.), cone type

Continuous RMS output

European model (DIN)

120 W

Australian model (0.8%)

100 W

Other models (0.8%)

120 W

Reproduction frequency range

20 Hz – 170 Hz

High frequency cut-off frequency

50 Hz – 170 Hz

Phase selector

NORMAL, REVERSE

Inputs

Input jacks

LINE IN: input pin jack

SPEAKER IN: input terminals

Output jacks

LINE OUT: output pin jack

SPEAKER OUT: output terminals

General

Power requirements

European model

220 – 230 V AC, 50/60 Hz

Australian model

220 – 240 V AC, 50/60 Hz

Other models

120 V AC, 60 Hz

ADVERTENCIA

Para evitar incendios o descargas eléctricas, no exponga la unidad a la lluvia ni a la humedad.

No instale la unidad en un espacio cerrado, como una librería o un armario emportado.

¡Bienvenido!

Gracias por adquirir el altavoz de subgraves activo de Sony. Antes de utilizar el altavoz, lea detenidamente ese manual y consérvelo para futuras referencias.

ÍNDICE

Preparativos

- Desembalaje **4**
 - Instalación **4**
 - Conexión a un sistema **5**
-

Operaciones básicas

- Escucha de sonido **8**
 - Ajuste del sonido **9**
-

Información adicional

- Precauciones **10**
- Solución de problemas **10**
- Especificaciones **11**

Desembalaje

Compruebe si ha recibido los accesorios siguientes:

- Cable conector de audio (1)
- Cables de altavoces (2)

Instalación

Como el oído humano no puede detectar la dirección ni la posición de donde viene el sonido de graves producido por un altavoz de graves (menos de 170 Hz), usted podrá instalar el altavoz de graves en el lugar que desee de la sala. Para obtener una mejor reproducción de graves, le recomendamos que instale el altavoz de graves sobre un piso sólido en el que sea difícil que se produzca resonancia.

Usted podrá obtener una reproducción con suficientes graves profundos con un solo altavoz de graves. Sin embargo, si utiliza un par de altavoces de graves, obtendrá una reproducción de graves profundos todavía más efectiva.

Notas

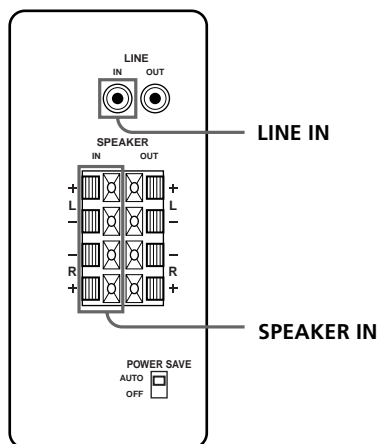
- Instale siempre el altavoz de graves en posición vertical, alejado varios centímetros de la pared.
- No coloque ningún objeto ni se siente sobre el altavoz de graves.
- Si instala el altavoz de graves en el centro de una sala, los graves pueden debilitarse extremadamente. Esto se debe a la influencia de las ondas estacionarias de la sala. Si sucede esto, mueva el altavoz de graves del centro de una sala, o elimine la causa de las ondas estacionarias, instalando una librería en la pared, etc.

Conexión a un sistema

Descripción general

Utilice la toma LINE IN o los terminales SPEAKER IN del altavoz de graves para conectarlo al amplificador.

- Si su amplificador dispone de uno de los siguientes tipos de tomas de salida, conecte la toma LINE IN y la toma del amplificador con el cable conector de audio suministrado.
 - Tomas MONO OUT
 - Toma MIX OUT
 - Toma(s) de salida SUBWOOFER
 - Toma(s) de salida SUPER WOOFER
- Si su amplificador no posee las tomas de salida mencionadas arriba, conecte en su lugar los terminales para altavoces del amplificador a los terminales SPEAKER IN.



Antes de comenzar

- Desconecte la alimentación del amplificador y del altavoz de graves antes de realizar cualquier conexión.
- Utilice los cables conectores de audio suministrados con los equipos respectivos. Si no tiene suficientes cables conectores de audio para realizar las conexiones necesarias, tendrá que adquirir otros adicionales.
- Cerciórese de realizar conexiones firmes para evitar ruido.
- Conecte el cable de alimentación de CA del altavoz de graves a una toma de la red.
- Usted no podrá conectar la toma de salida CENTER al altavoz de graves para utilizar la función Dolby Pro Logic. El sonido de graves no saldrá con ciertos modos Dolby Pro Logic.

(continúa)

Conexión de un amplificador con un solo juego de terminales para altavoces

Si su amplificador solamente dispone de un juego de terminales para altavoces, conecte el altavoz de graves al amplificador, y después conecte los altavoces delanteros al altavoz de graves.

¿Qué cables se necesitan?

Cables de altavoces (suministrados) (1 para cada altavoz)



Retuerza los extremos pelados de los conductores del cable unos 15 mm.

Cerciórese de hacer coincidir los conductores de los cables con los terminales apropiados del componente: + a + y - a -. Si invirtiese los conductores, el sonido se oíría distorsionado y se perderían los graves.

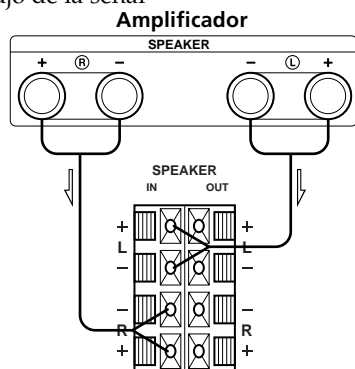
Para evitar conexiones inapropiadas, será muy útil decidir que el conductor marcado con una línea es siempre negativo (-) y debe conectarse al terminal negativo (-).

Conexiones

- 1 Conecte el amplificador.

Conecte los terminales SPEAKER IN del altavoz de graves a los terminales para altavoces del amplificador con los cables para altavoces suministrados. Ceriéndose de conectar ambos canales, izquierdo y derecho.

⤴: Flujo de la señal

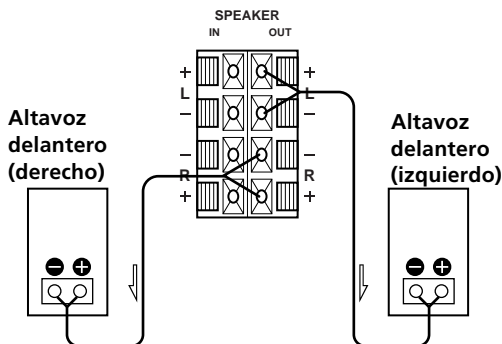


Este altavoz de graves

- 2 Conecte los altavoces delanteros al altavoz de graves.

Conecte los altavoces a los terminales para altavoces del altavoz de graves.

Este altavoz de graves

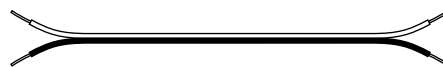


Conexión de un amplificador con juegos de terminales para altavoces dobles (A+B)

Si su amplificador posee dos juegos de terminales para altavoces (A+B), conecte el altavoz de graves y los altavoces delanteros al amplificador.

¿Qué cables se necesitan?

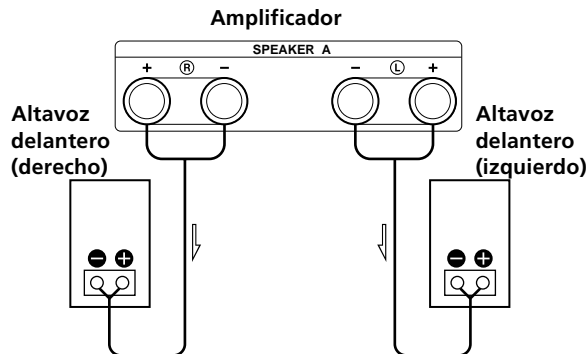
Cables de altavoces (suministrados) (1 para cada altavoz)



Retuerza los extremos pelados de los conductores del cable unos 15 mm.

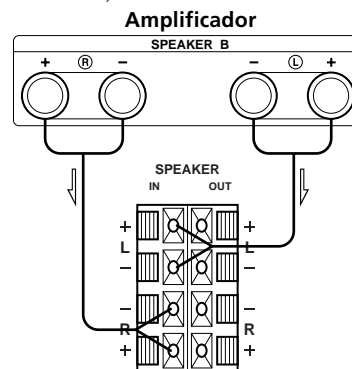
Conexiones

- 1 Conecte los altavoces delanteros al amplificador. Conecte los altavoces a los terminales para altavoces del amplificador (A).



- 2 Conecte el altavoz de graves al amplificador.

Conecte los terminales SPEAKER IN del altavoz de graves a los terminales para altavoces (B) del amplificador utilizando los cables para altavoces (suministrados).



Este altavoz de graves

Cuando utilice los juegos dobles (A + B) de terminales de altavoces, cerciéndose de seleccionar la posición "A + B" en el amplificador.

Nota

Cuando esté utilizando los terminales (A) solamente (altavoces delanteros solamente) o cuando desconecte la alimentación del amplificador, reduzca el volumen, o desconecte la alimentación del altavoz de graves, es posible que oiga ruido.

Conexión a un amplificador con una toma especial para altavoz de subgraves

Si su amplificador dispone de una toma especial para altavoz de subgraves (como una toma MONO OUT, MIX OUT, SUBWOOFER o SUPER WOOFER), conecte la toma LINE IN del altavoz de graves a una de dichas tomas.

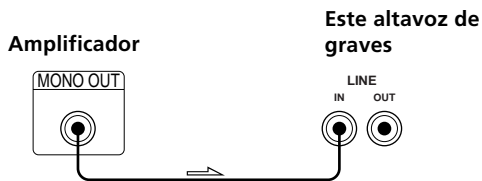
¿Qué cables se necesitan?

Cable conector de audio (suministrado) (1)



Conexiones

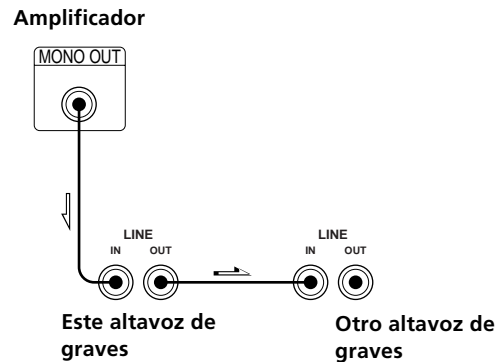
Conecte la toma MONO OUT del amplificador a la toma LINE IN del altavoz de graves con el cable conector de audio suministrado.



Nota

Si el nivel de salida de su amplificador no es suficientemente grande, es posible que el sonido no sea suficientemente fuerte. En este caso, conecte los terminales para altavoces del amplificador directamente a los terminales SPEAKER IN del altavoz de graves.

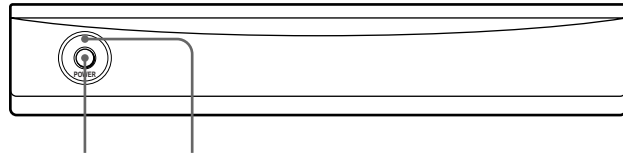
Si utiliza dos o más altavoces de subgraves



Conexión del cable de alimentación de CA

- Conecte el cable de alimentación de CA del altavoz de graves de su amplificador a una toma de la red.
- Compruebe que la alimentación del altavoz de graves está desactivada antes de enchufar o desenchufar cualquier cable de alimentación.

Escucha de sonido



POWER (I/⏻) indicador POWER

Nota

No ajuste nunca los controles de tono (BASS, TREBLE, etc.) del amplificador ni del ecualizador a un nivel alto, ni aplique las ondas senoidales de 20 a 50 Hz grabadas en un disco de prueba, ni sonido especial (sonido de graves de un instrumento musical electrónico, ruido de chasquido de un giradiscos analógico, sonido con graves anormalmente reforzados, etc.) de alto nivel continuamente a esta unidad. Estas acciones podrían dañar los altavoces, Cuando reproduzca un disco que contenga graves anormalmente reforzados, puede salir ruido además del sonido original. En tal caso, reduzca el nivel del sonido.

Nota

Las señales de salida del altavoz de subgraves (señal DOLBY digital (AC-3)) del procesador perimétrico digital normalmente están ajustadas a 10 dB más que el valor de Dolby Laboratories Licensing Corporation. Normalmente ajuste el nivel del altavoz de subgraves.

Nota

Si disminuye demasiado el nivel de volumen del altavoz de graves, es posible que la función de activación/desactivación automática se active, por lo que el altavoz de graves entrará en el modo de ahorro de energía.

- 1 Conecte la alimentación del amplificador y seleccione la fuente de programa.
- 2 Presione POWER (I/⏻).
Se conectará la alimentación del altavoz de graves, y el indicador POWER se encenderá en verde.
- 3 Ponga en reproducción la fuente de programa.
Ajuste VOLUME de forma que el sonido de los altavoces delanteros no se oiga distorsionado.
Si está distorsionado, también se distorsionará el sonido del altavoz de graves.

Para activar y desactivar la alimentación automáticamente –

Función de activación/desactivación automática

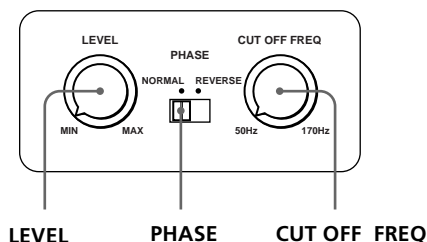
Si el altavoz de graves está encendido (el indicador POWER se ilumina en verde) y no se introduce ninguna señal durante unos siete minutos, el indicador POWER cambiará a rojo y dicho altavoz entrará en el modo de ahorro de energía. Si el altavoz recibe alguna señal mientras se encuentra en este modo, dicho altavoz se activará automáticamente (función de activación/desactivación automática).

Para desactivar esta función, deslice el interruptor POWER SAVE del panel trasero hasta OFF.



Ajuste del sonido

Usted podrá ajustar el sonido del altavoz de graves de acuerdo con el sonido de sus altavoces delanteros. El refuerzo del sonido de graves le ofrecerá una mayor sensación de atmósfera.



Nota

Si el sonido se distorsiona después de haber activado el refuerzo de graves desde su amplificador (con DBFB, GROOVE, el ecualizador gráfico, etc.), desactive tal refuerzo y ajuste el sonido.

Nota

No ajuste el volumen del altavoz de graves en el nivel máximo. Si lo hace, los graves podrían debilitarse. Además, podría oírse un ruido extraño.

Nota

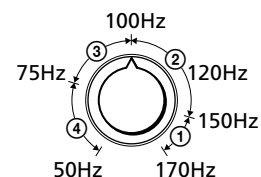
Al elegir NORMAL o REVERSE con el selector PHASE, se invertirá la polaridad y puede proporcionar una reproducción de graves mejor en ciertos ambientes de escucha (dependiendo del tipo de altavoces delanteros, la posición del altavoz de graves y del ajuste de la frecuencia de corte). También puede cambiar la amplitud y la consistencia del sonido, e influir en la sensación del campo acústico. Seleccione el ajuste que ofrezca el sonido preferido cuando escuche desde su posición de escucha normal.

1 Ajuste la frecuencia de corte.

Gire el control CUT OFF FREQ dependiendo de las frecuencias de reproducción de sus altavoces delanteros.

Para ajustar, refiérase a lo siguiente.

- ① Altavoces típicos de tamaño muy pequeño: 5 – 7 cm de dia.
- ② Altavoces típicos de tamaño pequeño: 8 – 15 cm de dia.
- ③ Altavoces típicos de tamaño mediano: 16 – 24 cm de dia.
- ④ Altavoces típicos de tamaño grande más de 25 cm de dia.



Para sacar el máximo partido de la función del convertidor de bajo nivel de Dolby digital, ajuste CUT OFF FREQ al valor lo más alto posible cuando reproduzca con Dolby digital (AC-3).

2 Ajuste el nivel de volumen del altavoz de graves.

Gire el control LEVEL de forma que oiga el sonido de graves un poco mejor que antes. Para aumentar el volumen, gire el control hacia la derecha. Para reducir el volumen, gire el control hacia la izquierda.

3 Ponga en reproducción su canción o película favorita.

Para el ajuste será más adecuada una canción de un vocalista masculino que contenga sonidos graves. Ajuste el volumen de los altavoces delanteros al nivel normal.

4 Seleccione la polaridad de fase.

Utilice el selector PHASE para seleccionar la polaridad de fase.

5 Repita los pasos 1 a 4 para ajustar el sonido a su gusto.

Después de haber ajustado el altavoz de graves a su gusto, utilice el control VOLUME del amplificador para ajustar el volumen del altavoz de graves de acuerdo con el de los demás altavoces. Usted no necesitará ajustar el altavoz de graves cuando cambie el nivel del volumen del amplificador.

Precauciones

Seguridad

- Antes de utilizar el altavoz de graves, compruebe si la tensión de alimentación del mismo coincide con la de la red local.
- Cuando no vaya a utilizar el altavoz de graves durante mucho tiempo, cerciórese de desenchufarlo de la toma de la red. Para desconectar el cable de alimentación, tire del enchufe. No tire nunca del propio cable.
- Si dentro del altavoz de graves entra cualquier objeto sólido o líquido, desenchúfelo de la red y haga que sea comprobado por personal cualificado.
- El cable de alimentación de CA solamente deberá cambiarse en un taller de reparaciones cualificado.

Antes de conectar o desconectar la alimentación del amplificador o de otro equipo

Reduzca el volumen del amplificador al mínimo.

Para evitar dañar el altavoz de graves

- Tenga cuidado al ajustar el control de volumen del amplificador a fin de evitar una potencia de entrada excesiva.
- No intente abrir la caja acústica ni extraer las unidades altavoces ni las redes.

Si observa irregularidades de color en la pantalla de un televisor cercano

Debido al apantallamiento magnético del altavoz de graves, éste podrá instalarse cerca de un televisor. Sin embargo, todavía pueden observarse irregularidades en los colores en la pantalla de un televisor dependiendo del tipo de televisor utilizado.

Si se observan irregularidades en los colores...

→Desconecte la alimentación del televisor y vuelva a conectarla después de 15 a 30 minutos.

Si vuelven a observarse irregularidades en los colores...

→Aleje más el altavoz de graves del televisor.

Si se produce aullido

Reubique el altavoz de graves o reduzca el volumen del amplificador.

Instalación

- No instale el altavoz de graves cerca de fuentes térmicas tales como radiadores o conductos de aire cálido, ni en un lugar sometido a la luz solar directa, polvo excesivo, vibraciones mecánicas, ni golpes.
- Para evitar el recalentamiento interno del altavoz de graves, será esencial que esté bien ventilado. Coloque este altavoz de graves en un lugar con circulación de aire adecuada. No lo coloque sobre una superficie blanda ni demasiado cerca de una pared ya que podría obstruir del orificio de ventilación de la parte posterior.
- Tenga cuidado si coloca el altavoz en suelos tratados de manera especial (encerados, barnizados con aceites, pulidos, etc.), ya que es posible que aparezcan manchas o se descoloren.

Limpieza de la caja

Limpie la caja con un paño suave ligeramente humedecido en agua. No utilice ningún tipo de estropajos, polvos abrasivos, ni disolventes como alcohol o bencina.

Si tiene alguna pregunta o problema en relación con el altavoz de graves que este manual no pueda resolver, consulte a su proveedor Sony.

Solución de problemas

Si experimenta cualquiera de las dificultades siguientes cuando utilice el altavoz de graves, use esta guía como ayuda para resolver el problema. Si el problema persiste, consulte a su proveedor Sony más cercano.

No hay sonido.

- ➔ Compruebe si el altavoz de graves y los componentes están instalados correctamente y con seguridad.
- ➔ Gire LEVEL hacia la derecha para aumentar el volumen.
- ➔ Elija SPEAKER o LINE con el selector INPUT.
- ➔ Reajuste el nivel.

El sonido se paró repentinamente.

- ➔ Los cables del altavoz pueden haberse cortocircuitado. Conecte los cables adecuadamente.
- ➔ Ajuste CUT OFF FREQ a 150 Hz (MAX) cuando reproduzca con Dolby digital (AC-3).

El sonido se oye distorsionado.

- ➔ La señal de entrada es imperfecta.
- ➔ El nivel de la señal de entrada es demasiado alto.

Se oye mucho zumbido o ruido.

- ➔ Conecte adecuadamente el conductor de puesta a tierra del giradiscos.
- ➔ El contacto entre las clavijas de los cables conectores y las tomas correspondientes no es correcto. Conecte firmemente las clavijas.
- ➔ El sistema de audio está captando cierto ruido de un televisor. Aleje el sistema de audio del televisor o desconecte la alimentación de éste.

Especificaciones

Sistema

Tipo Altavoz de subgraves activo (diseño de apantallamiento magnético)

Unidad altavoz

De graves: 30 cm de dia., tipo cone

Salida de potencia RMS continua

Modelos para Europa (DIN) :

120 vatios

Modelos para Australia (0.8%):

100 vatios

Otros modelos (0.8%):

120 vatios

Gama de frecuencias de reproducción

20 Hz – 170 Hz

Gama de corte de altas frecuencias

50 Hz – 170 Hz

Selector de fase

NORMAL (normal), REVERSE (opuesta)

Entradas

Tomas de entrada

LINE IN: Toma fono de entrada

SPEAKER IN: Terminales de entrada

Tomas de salida

LINE OUT: Toma de pines de salida

SPEAKER OUT: Terminales de salida

Generales

Alimentación

Modelos para Europa: CA de 220 - 230 V,
50/60 Hz

Modelos para Australia:

CA de 220 - 240 V,
50/60 Hz

Otros modelos: CA de 120V, 60Hz

Consumo 90 W

Dimensiones

Aprox. 360 x 425 x 430 mm (an/al/prof)

Masa 18 kg

Accesorios suministrados

Cable conector de audio

(1 clavija fono - 1 clavija fono) (1)

Cables para altavoces (2)

Diseño y especificaciones sujetos a cambio sin previo aviso.

