

Integrated Stereo Amplifier

Operating Instructions _____ **GB**

Mode d'emploi _____ **F**

Manual de instrucciones _____ **ES**

Manual de instruções _____ **P**

TA-FB920R
TA-FB820R
TA-FB720R

WARNING

To prevent fire or shock hazard, do not expose the unit to rain or moisture.

To avoid electrical shock, do not open the cabinet. Refer servicing to qualified personnel only.

Do not install the appliance in a confined space, such as a bookcase or built-in cabinet.



Precautions

On safety

- Do not disassemble the cabinet as this may result in an electrical shock. Refer servicing to qualified personnel only.
- Should any solid object or liquid fall into the cabinet, unplug the amplifier and have it checked by qualified personnel before operating it any further.

On power sources

- Before operating the amplifier, check that the operating voltage of the amplifier is identical with your local power supply. The operating voltage is indicated on the nameplate at the rear of the amplifier.
- If you are not going to use the amplifier for a long time, be sure to disconnect the amplifier from the wall outlet. To disconnect the AC power cord (mains lead), grasp the plug itself; never pull the cord.
- AC power cord must be changed only at the qualified service shop.

On placement

- Place the amplifier in a location with adequate ventilation to prevent heat built-up and prolong the life of the amplifier.
- Do not place the amplifier near heat sources, or in a place subject to direct sunlight, excessive dust or mechanical shock.
- Do not place anything on top of the cabinet that might block the ventilation holes and cause malfunctions.

On operation

Before connecting other components, be sure to turn off and unplug the amplifier.

On cleaning the amplifier

Clean the cabinet, panel and controls with a soft cloth slightly moistened with a mild detergent solution. Do not use any type of abrasive pad, scouring powder or solvent such as alcohol or benzine.

On the prevention of howling

Do the following:

- lower the volume.
- keep the turntable as far from the speakers as possible.
- use commercially available audio insulators on the bottom of the turntable.
- keep the microphone away from the speakers during use.

For further protection against howling, set the speakers or turntable on top of a heavy wooden board or concrete slab.

If you have any questions or problems concerning your amplifier, please consult your nearest Sony dealer.

Welcome!

Thank you for purchasing the Sony Integrated Stereo Amplifier. Before operating the amplifier, please read this manual thoroughly and retain it for future reference.

About This Manual

The instructions in this manual are for models TA-FB920R, FB820R, and FB720R. Check your model number by looking at the rear panel of your amplifier. The TA-FB920R is the model used for illustration purposes unless stated otherwise.

Any difference in operation is clearly indicated in the text, for example, "TA-FB920R only."

Conventions

- Instructions in this manual describe the controls on the amplifier. For details on the remote buttons control, see "Remote Button Descriptions" on page 12.
- The following icon is used in this manual:



Indicates hints and tips for making the task easier.

TABLE OF CONTENTS

Getting Started

- Hookup Overview 4
- Audio Component Hookups 4
- Speaker System Hookups 5
- Mains Lead Hookups 6

Listening to the Music 7 Recording 9

Additional Information

- Troubleshooting 10
- Specifications 10
- Rear Panel Descriptions 12
- Remote Button Descriptions 12


GB

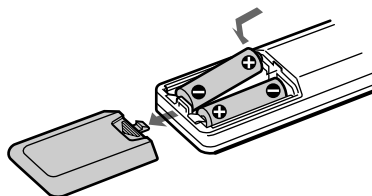
Unpacking

Check that you have received the following supplied items:

- Remote commander (remote) (1) RM-S316
- Sony batteries R6 (size-AA) (2)

Inserting batteries into the remote

Insert two R6 (size-AA) batteries, matching the + and – on the batteries with the markings inside the battery compartment. When using the remote, point it at the remote control sensor  on the amplifier.



When to replace batteries

With normal use, the batteries should last for about 6 months. When the remote no longer operates the amplifier, replace all the batteries.

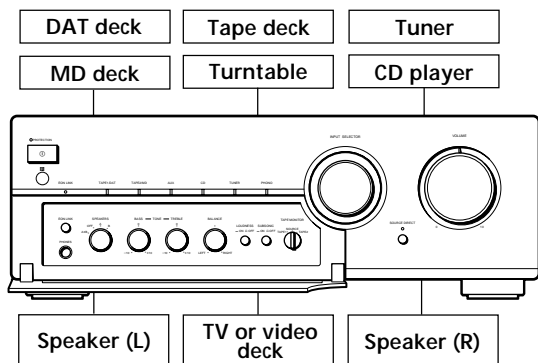
Notes

- Do not leave the remote near an extremely hot or humid place.
- Do not drop any foreign object into the remote casing, particularly when replacing the batteries.
- Do not expose the remote sensor to direct sunlight or lighting equipment. Doing so may cause a malfunction.
- If you don't use the remote for an extended period of time, remove the batteries to avoid possible damage from battery leakage and corrosion.

Hookup Overview

The amplifier allows you to connect and control the following audio components. Follow the hookup procedure indicated for each component that you want to connect.

To learn the location and name of each jack, see "Rear Panel Descriptions" on page 12.



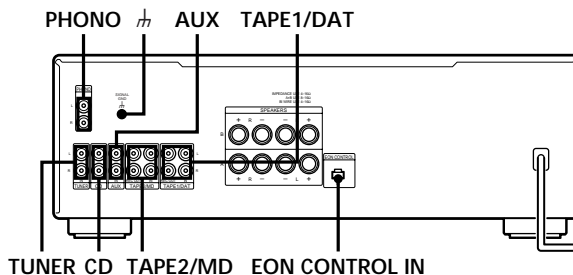
Before you get started

- Turn off the power to all components before making any connections.
- Do not connect the mains leads of the various components until all connections are completed.
- Use the audio connecting cords supplied with each component for hooking up with the amplifier. Purchase and use optionally available cords as required.
- Be sure to make connections firmly to prevent hum and noise.
- When connecting an audio connecting cord, be sure to match the R (right) and L (left) jacks of the amplifier to the R and L jacks on the other components.

Audio Component Hookups

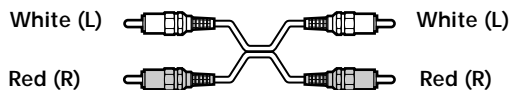
Overview

Here you learn how to connect your audio components to the amplifier.



What cords will I need?

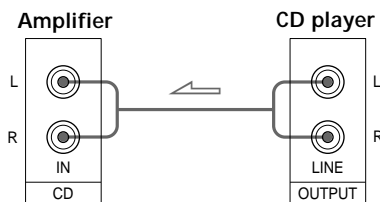
Audio connecting cord (not supplied) (2 for each tape deck, DAT deck, or MD deck; 1 for other components)



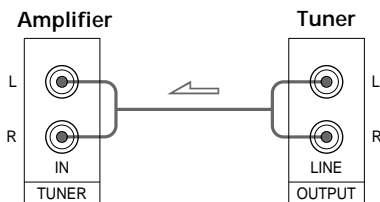
Hookups

The arrow  indicates signal flow.

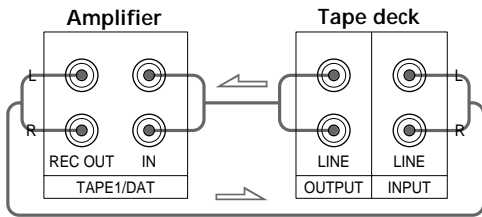
CD player



Tuner

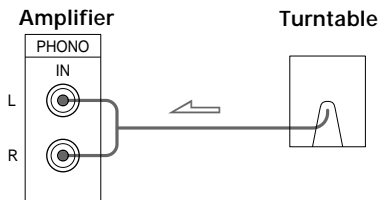


Tape deck, DAT deck, or MD deck



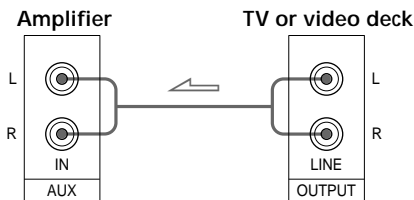
Use the configuration above to connect the OUTPUT and INPUT jacks of:
 —a tape deck or DAT deck to the TAPE1/DAT jacks.
 —a tape deck or MD deck to the TAPE2/MD jacks.

Turntable

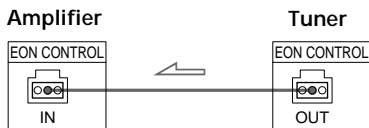


Note
 To prevent hum, connect the earth lead to SIGNAL GND (♣) on the amplifier.

TV or video deck



EON CONTROL

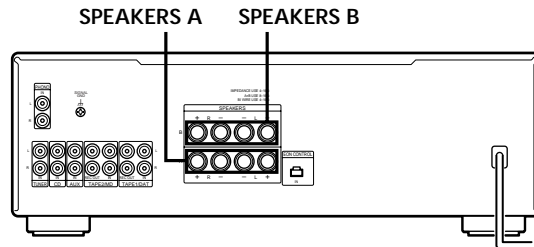


If your tuner is equipped with an EON CONTROL OUT terminal, connect it to the EON CONTROL IN terminal on the amplifier to allow use of the EON (Enhanced Other Networks) function of the RDS (Radio Data System) (see page 8).

Speaker System Hookups

Overview

Here you learn how to connect speakers to the amplifier. You can connect two pairs of speakers, SPEAKERS A and B.



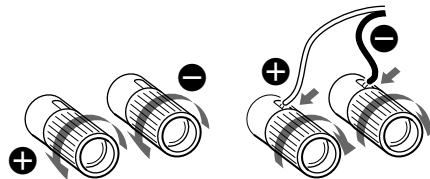
What cords will I need?

Speaker cord (not supplied) (1 for each speaker)



Twist the stripped ends of the cord about 15mm. Be sure to match the speaker cord to the appropriate terminal on the components: + to + and - to -. If the cords are reversed, the sound will be distorted and will lack bass.

Hookups



Connecting to bi-wire system speakers

Since the two pairs of speaker terminals on your amplifier, SPEAKERS A and B, can provide simultaneous speaker output, you can use them to connect a bi-wire speaker system. To drive both speaker systems simultaneously, set SPEAKERS to A+B.

To select the speaker system A or B
Set SPEAKERS to A or B. To drive both speaker systems simultaneously, set SPEAKERS to A+B.

Note

Use speakers with a nominal impedance of 4 to 16 ohms. When outputting at the same time to two speaker systems, use speakers with a nominal impedance of 8 to 16 ohms.

Mains Lead Hookups

Connecting the mains lead

Connect the mains lead from this amplifier and from your audio/video components to wall outlets.



You can power other components through AC OUTLET on the amplifier (unavailable on the U.K. model)

By connecting other audio components to AC OUTLET on the amplifier, you can supply power to the connected components through the amplifier and turn them all on or off when you turn the amplifier on or off.

Caution

Make sure that the total power consumption of all components connected to the outlets on the amplifier does not exceed 100 watts. Do not connect electrical home appliances such as an electric iron, fan, TV, or other high-wattage appliances to these outlets.

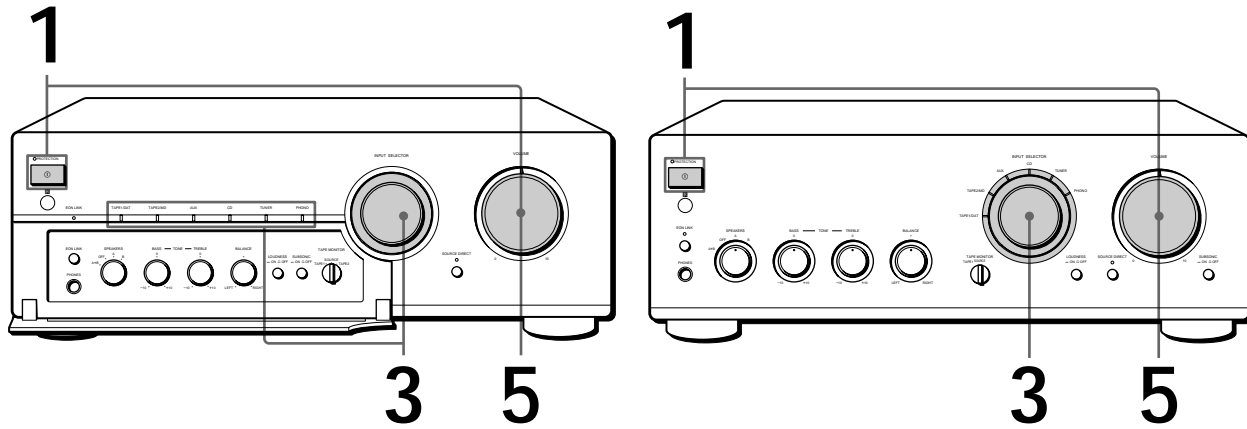
Note

Separate the mains lead, audio connecting cords and speaker cords. Noise or sound deterioration may occur when audio connecting cords are in contact with the mains lead, or when the mains lead or speaker cords are placed near the tuner's loop aerial or aerial wire.

Listening to the Music

TA-FB920R

TA-FB820R/FB720R



💡 To listen through the headphones
Connect the headphones to PHONES and set SPEAKERS to OFF.

💡 To listen directly to the input signal
Press SOURCE DIRECT so that the indicator lights up. Since the circuits of TONE controls, BALANCE control, LOUDNESS button, and SUBSONIC button are bypassed, you cannot adjust bass, treble, the balance, reinforce the bass and treble, or reduce subsonic noise components while listening to a source directly.

Note
Avoid high speaker output at which the sound is distorted. High-frequency distortion may damage the tweeters.

1 Press ① to turn on the amplifier and turn VOLUME fully counterclockwise to prevent damaging the speakers with excessive output.
The PROTECTION indicator lights up, then goes off.

2 Turn on the programme source you want to listen to.

3 Set INPUT SELECTOR to the respective programme source. The indicator for the programme source lights up.

To listen to a	Turn INPUT SELECTOR for
Record	PHONO
Radio broadcast	TUNER
Compact disc	CD
Source connected to AUX	AUX
Source connected to: —TAPE1/DAT —TAPE2/MD	TAPE1/DAT TAPE2/MD

4 Start the programme source.

5 Adjust the volume by turning VOLUME.

To	Press or turn
Adjust the bass	BASS
Adjust the treble	TREBLE
Adjust the balance	BALANCE
Reinforce the bass and treble at low listening level	LOUDNESS
Reduce subsonic noise components created by warped records, etc.	SUBSONIC



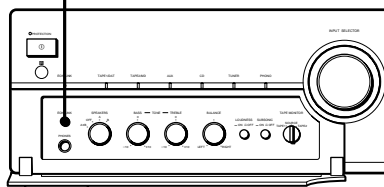
What is the Enhanced Other Networks (EON)?
One convenient RDS service is "Enhanced Other Networks" (or "EON"). This allows the unit to automatically switch to a programme type of your choice when one starts in your broadcast area.

To receive the Enhanced Other Networks (EON) programmes

When your amplifier is connected to a Sony tuner with the EON CONTROL system, the amplifier switches to any EON programme that is broadcast in your EON area, and switches back to the last selected programme source when the programme ends.

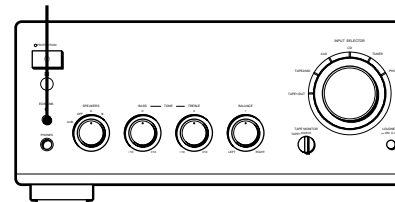
TA-FB920R

EON LINK



TA-FB820R/FB720R

EON LINK



- 1** Make sure that the amplifier and the tuner are connected through the EON CONTROL terminals (see page 5).
- 2** Press EON LINK so that the indicator lights up. Whenever an EON programme starts on the radio frequency that your tuner is set to, you will receive it.

To cancel EON reception

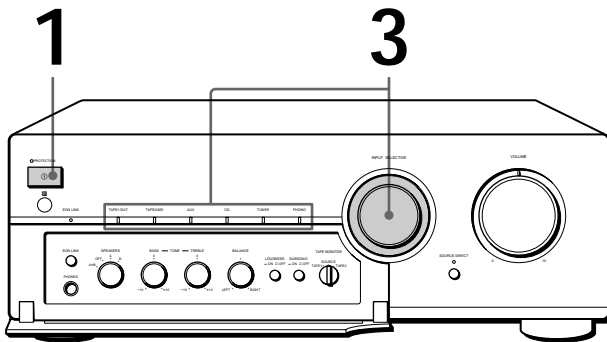
Press EON LINK again so that the indicator goes off.

Notes

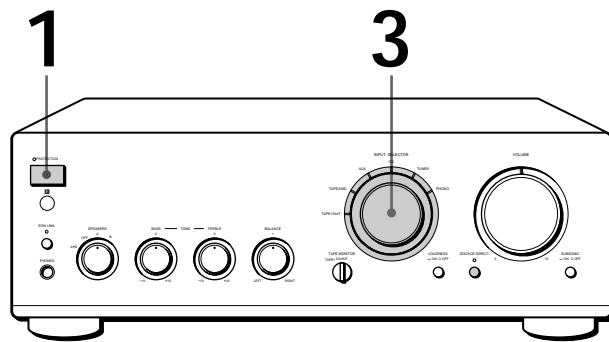
- If you select another programme source while receiving an EON programme, EON reception ends. However, as long as the EON LINK indicator lights up, you can receive EON programmes automatically.
- Make sure to cancel EON reception before starting to record since an EON programme may interfere with your recording.
- If you activate the Tape Monitor function (see page 9) while the EON LINK indicator is lit, the indicator goes off and you cannot receive EON programmes. If this happens, deactivate the Tape Monitor function so that the indicator lights up again.


Recording


TA-FB920R




TA-FB820R/FB720R



 You can record the same source on two recording components at the same time

 You can monitor the recorded sound (Tape Monitor function)
You can monitor the recorded sound if the tape deck you are recording on has separate playback and recording heads.
To monitor the sound, set TAPE MONITOR to TAPE1 or TAPE2.
Note that on the TA-FB820R/FB720R, you can monitor the only sound being recorded from the TAPE1/DAT jacks.

1 Press  to turn on the amplifier.

2 Turn on the programme source you want to record.

3 Select the programme source that you want to record by turning INPUT SELECTOR.

The indicator for the programme source lights up.

To record a	Set INPUT SELECTOR to
Record	PHONO
Radio broadcast	TUNER
Compact disc	CD
Source connected to AUX	AUX
Source connected to:	
—TAPE1/DAT	TAPE1/DAT
—TAPE2/MD	TAPE2/MD

4 Prepare the recording component for recording, then start recording.

5 Start playing the programme source.

Troubleshooting

If you experience any of the following difficulties while using the amplifier, use this troubleshooting guide to help you remedy the problem. Should any problem persist, consult your nearest Sony dealer.

No sound output.

- ➔ Connect the audio connecting cords firmly.
- ➔ Connect the amplifier and other audio components correctly.
- ➔ Turn INPUT SELECTOR to the appropriate programme source.

No audio from one channel or unbalanced speaker output.

- ➔ Turn BALANCE to adjust the balance.
- ➔ Check the speaker and input connections of silent channel.

Weak bass or treble.

- ➔ Adjust the TONE controls.
- ➔ Change speaker positions or room conditions to eliminate obstructions in sound path.

Distorted sound.

- ➔ Improperly selected input signal.
- ➔ Insufficient input capacity of speakers. Lower the volume.

Lack of bass or ambiguity in instrument positions.

- ➔ Speaker cord and terminal polarity are reversed. Reconnect the cords with correct polarity.

Hum or noise.

- ➔ Ground the turntable system (see page 5).
- ➔ Connect the audio connecting cords firmly.
- ➔ The amplifier is picking up interference from a TV set. Move the amplifier away from the TV set or turn the TV set off.

The remote does not function.

- ➔ Remove any obstructions between the remote control sensor on the amplifier and the remote.
- ➔ Point the remote towards the remote sensor on the front of the amplifier.
- ➔ The remote is too far from the amplifier. Move closer to the amplifier.
- ➔ Replace the batteries in the remote.

The PROTECTION indicator lights up and/or sudden loss of audio.

- ➔ Check if a short-circuit has occurred. Turn off the amplifier and check the connected components and speakers.

Specifications

Amplifier section

DIN power output

TA-FB920R (Continental Europe):
120 W + 120 W (4 ohms at 1 kHz)
80 W + 80 W (8 ohms at 1 kHz)
TA-FB920R (U.K.):
100 W + 100 W (4 ohms at 1 kHz)
65 W + 65 W (8 ohms at 1 kHz)
TA-FB820R: 100 W + 100 W (4 ohms at 1 kHz)
65 W + 65 W (8 ohms at 1 kHz)
TA-FB720R: 90 W + 90 W (4 ohms at 1 kHz)
60 W + 60 W (8 ohms at 1 kHz)

Total harmonic distortion

Less than 0.008% (at 10 W output)

Frequency response

PHONO (20 Hz - 20 kHz): RIAA equalization curve
±0.5 dB
TUNER, CD, AUX, TAPE1/DAT, TAPE2/MD:
7 Hz - 100 kHz ±0.3 dB

S/N (network A)

PHONO
TA-FB920R/FB820R: 94 dB
TA-FB720R: 90 dB
TUNER, CD, AUX, TAPE1/DAT, TAPE2/MD:
105 dB

Output voltage / impedance

REC OUT 1, 2: 150 mV, 1 kilohm
PHONES: 10 mW (at 8 ohms)

Speakers impedance

4 - 16 ohms, 8 - 16 ohms (SPEAKERS A+B)

Damping factor

100 (8 ohms, 1 kHz)

General

System

Power amplifier: Pure-complementary SEPP OCL
power amplifier with all stages directly coupled
Preamplifier: Low-noise, equalizer amplifier

Power requirements

230 V AC, 50/60 Hz

Power consumption

TA-FB920R: 210 W
TA-FB820R: 180 W
TA-FB720R: 170 W

Dimensions (approx.) (w/h/d)

TA-FB920R: 430 × 150 × 410 mm
TA-FB820R/FB720R: 430 × 150 × 405 mm
incl. projecting parts and controls

Mass (approx.)

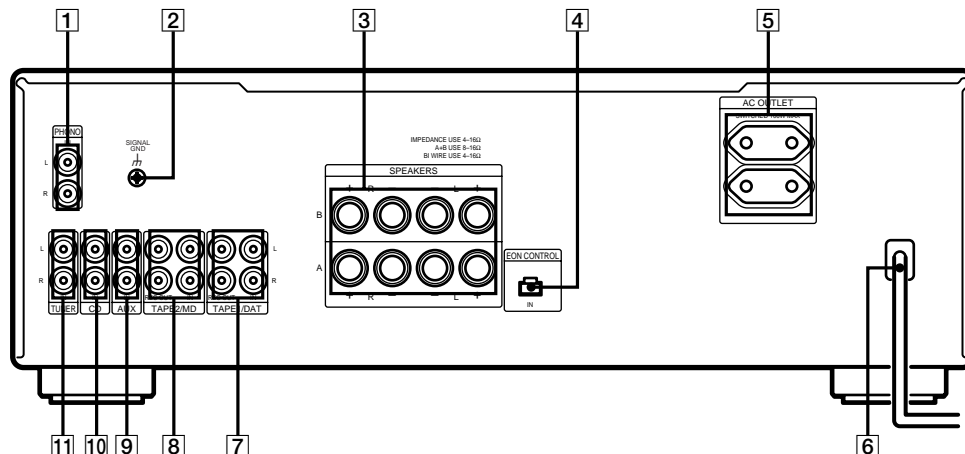
TA-FB920R: 10.3 kg
TA-FB820R: 9.3 kg
TA-FB720R: 8.6 kg

Supplied accessories

See page 3.

Design and specifications are subject to change without notice.

Rear Panel Descriptions



- 1** PHONO
- 2** \hbar (SIGNAL GND)
- 3** SPEAKERS A/B
- 4** EON CONTROL IN
- 5** AC OUTLET (unavailable on the TA-FB920R (U.K. model))

- 6** Mains lead
- 7** TAPE1/DAT
- 8** TAPE2/MD
- 9** AUX
- 10** CD
- 11** TUNER

Remote Button Descriptions

You can use the supplied remote to control other Sony audio components equipped with the (remote control sensor) mark.

Remote Button(s)	For operating the	Function
FUNCTION		
CD	Amplifier	Selects input signal from the CD jacks.
TUNER	Amplifier	Selects input signal from the TUNER jacks.
PHONO	Amplifier	Selects input signal from the PHONO jacks.
TAPE1/DAT	Amplifier	Selects input signal from the TAPE1/DAT jacks.
TAPE2/MD	Amplifier	Selects input signal from the TAPE2/MD jacks.
AUX	Amplifier	Selects input signal from the AUX jacks.
TUNER		
PRESET +/-	Tuner	Scans and selects preset stations.

Remote Button(s)	For operating the	Function
CD		
	CD player	Starts playback.
	CD player	Pauses playback.
	CD player	Stops playback.
	CD player	Locates tracks (AMS*).
D.SKIP	CD player	Skips a disc (for CD player equipped with a multi-disc changer).
MD		
	MD deck	Starts playback.
	MD deck	Pauses playback.
	MD deck	Stops playback.
	MD deck	Locates tracks.
TAPE DECK A/B		
	Deck A or B	Starts playback.
	Deck A or B	Stops all tape operations.
	Deck A or B	Fast-forwards or rewinds the tape.
VOL +/-	Amplifier	Controls the volume.

*Automatic Music Sensor

AVERTISSEMENT

Afin d'éviter tout risque d'incendie ou d'électrocution, ne pas exposer cet appareil à la pluie ou à l'humidité.

Afin d'écartier tout risque d'électrocution, garder le coffret fermé. Ne confier l'entretien de l'appareil qu'à un personnel qualifié.

N'installez pas l'appareil dans un espace confiné comme dans une bibliothèque ou un meuble encastré.

Précautions

Sécurité

- Afin d'éviter tout choc électrique, n'ouvrez pas le coffret. Confiez l'entretien de l'amplificateur à un technicien qualifié.
- Si un objet ou un liquide tombait dans l'amplificateur, débranchez-le et faites-le vérifier par un technicien qualifié avant de remettre en marche.

Sources d'alimentation

- Avant de mettre l'amplificateur sous tension, vérifiez si sa tension de fonctionnement correspond à celle du secteur local. La tension de fonctionnement est indiquée sur la plaque signalétique à l'arrière de l'amplificateur.
- Débranchez l'amplificateur de la prise murale s'il doit rester inutilisé pendant une période prolongée. Pour débrancher le cordon d'alimentation secteur, tirez sur la fiche; jamais sur le cordon lui-même.
- Le cordon d'alimentation secteur doit être remplacé par un technicien compétent.

Installation

- Installez l'amplificateur à un endroit suffisamment aéré pour éviter toute surchauffe interne et prolonger sa durée de vie.
- N'installez pas l'amplificateur près d'une source de chaleur, ou bien à un endroit exposé en plein soleil, à une poussière excessive ou à des chocs mécaniques.
- Ne posez rien sur l'amplificateur qui pourrait obstruer les ailettes de ventilation ou provoquer une panne.

Fonctionnement

Avant de raccorder d'autres appareils, mettez l'amplificateur hors tension et débranchez-le.

Nettoyage de l'amplificateur

Nettoyez le coffret, le panneau et les commandes avec un chiffon doux, légèrement humidifié de solution détergente douce. N'utilisez pas de tampon abrasif, de poudre à récurer ou de solvant, comme l'alcool ou l'essence.

Pour éviter le ronflement

- Réduisez le volume.
- Éloignez le tourne-disque le plus possible des enceintes.
- Mettez des isolateurs audio en vente dans le commerce sous le tourne-disque.
- Maintenez le microphone éloigné des enceintes pendant l'utilisation.

Pour protéger encore mieux contre le hurlement, installez les enceintes ou le tourne-disque sur une planche de bois épaisse ou une dalle de béton.

Pour toute question ou problème au sujet de cet appareil, veuillez contacter votre revendeur Sony agréé.

Bienvenue!

Nous vous remercions pour l'achat de cet amplificateur stéréo intégré. Avant de l'utiliser, veuillez lire attentivement ce mode d'emploi et le conserver pour toute référence ultérieure.

A propos de ce mode d'emploi

Les instructions de ce mode d'emploi concernent les modèles TA-FB920R, FB820R, et FB720R. Vérifiez le numéro de votre modèle sur le panneau arrière de l'amplificateur.

Le TA-FB920R est le modèle utilisé dans les illustrations, sauf spécification contraire. Toute différence de fonctionnement est clairement indiquée dans le texte, par exemple "TA-FB920R seulement".

Conventions

- Les instructions dans ce mode d'emploi décrivent les commandes de l'amplificateur.
- Pour les touches de la télécommande, voir "Description des touches de la télécommande", page 12.
- L'icône suivante est utilisée dans ce mode d'emploi:



Indique des conseils et méthodes qui facilitent une manipulation.

TABLE DES MATIÈRES

Préparatifs

- Raccordements 4
- Raccordement d'appareils audio 4
- Raccordement des enceintes 5
- Raccordement du cordon d'alimentation secteur 6

Ecoute d'une source musicale 7 Enregistrement 9

Informations additionnelles


- Guide de dépannage 10
- Spécifications 10
- Description du panneau arrière 12
- Description des touches de la télécommande 12

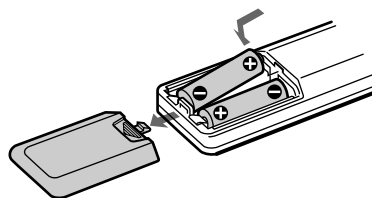
Déballage

Vérifiez que les articles suivants se trouvent bien dans l'emballage:

- Télécommande (1) RM-S316
- Piles Sony R6 (format AA) (2)

Mise en place des piles dans la télécommande

Insérez deux piles R6 (format AA) en faisant correspondre les pôles + et - des piles avec les indications dans le logement des piles. Quand vous utilisez la télécommande, dirigez-la vers le capteur de télécommande  de l'amplificateur.



Quand faut-il remplacer les piles?

En fonctionnement normal, les piles devraient durer environ 6 mois. Remplacez toutes les piles quand la télécommande ne peut plus piloter l'amplificateur.

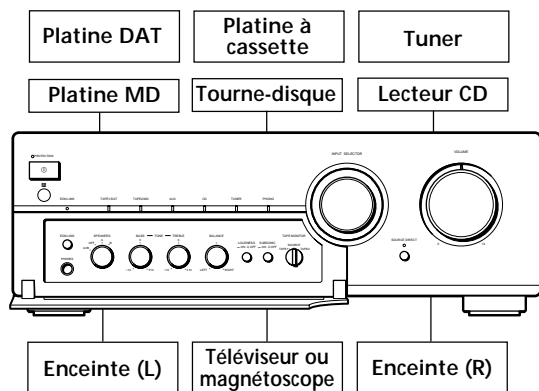
Remarques

- Ne laissez pas la télécommande à un endroit extrêmement chaud ou humide.
- Ne laissez rien tomber dans son boîtier, en particulier au remplacement des piles.
- N'exposez pas la télécommande en plein soleil ou sous un dispositif d'éclairage. Cela pourrait provoquer un mauvais fonctionnement.
- Si la télécommande doit rester inutilisée pendant une période prolongée, retirez les piles pour éviter tout dommage dû à une fuite des piles ou à la corrosion.

Raccordements

Cet amplificateur permet de raccorder et de commander les appareils audio ci-dessous. Suivez la procédure indiquée pour chaque appareil que vous souhaitez raccorder.

L'emplacement et le nom de chaque prise sont indiqués dans "Description du panneau arrière", page 12.



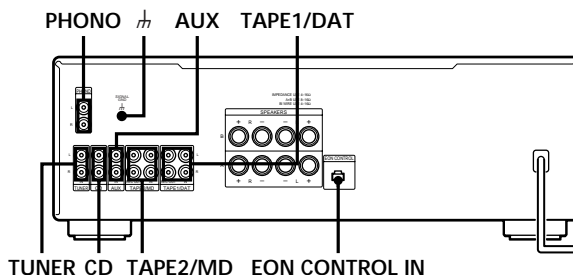
Avant de commencer

- Eteignez tous les appareils avant de les raccorder.
- Ne branchez pas les cordons d'alimentation secteur des différents appareils tant que les raccordements ne sont pas achevés.
- Utilisez les cordons de liaison audio fournis avec chaque appareil pour le raccordement à l'amplificateur. Au besoin, procurez-vous des cordons audio en vente dans le commerce.
- Insérez à fond les fiches dans les prises pour éviter tout ronflement et bruit.
- Au raccordement d'un cordon de liaison audio, reliez bien les connecteurs droit (R) et gauche (L) de l'amplificateur aux connecteurs droit (R) et gauche (L) de l'autre appareil.

Raccordement d'appareils audio

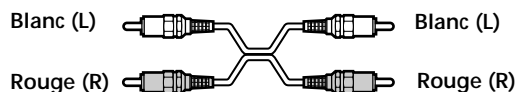
Aperçu

Cette section explique comment raccorder des appareils audio à l'amplificateur.



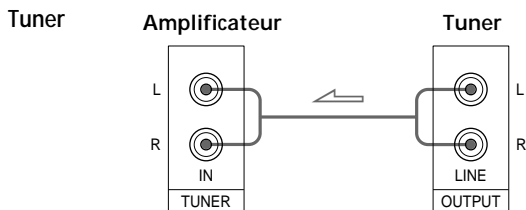
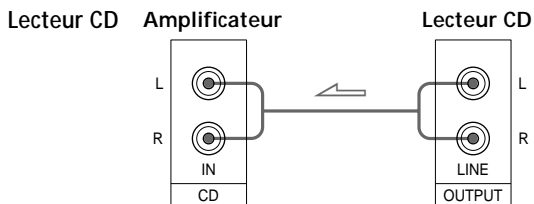
Quels cordons utiliser?

Des cordons de liaison audio (non fournis) (2 pour chaque platine à cassette, platine DAT ou platine MD; 1 pour les autres appareils)

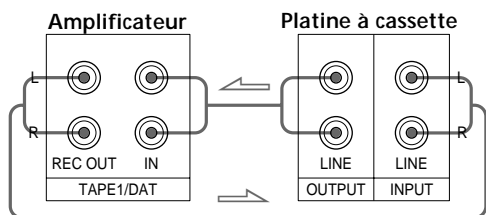


Raccordements

La flèche \Rightarrow indique le sens du signal.



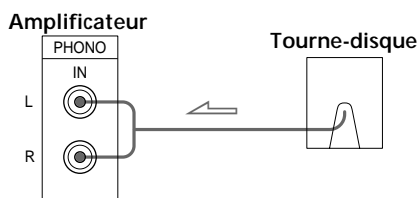
Platine à cassette, platine DAT ou platine MD



Utilisez la configuration ci-dessus pour connecter les connecteurs OUTPUT et INPUT —d'une platine à cassette ou DAT aux connecteurs TAPE1/DAT.

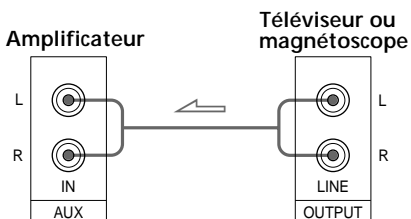
—d'une platine à cassette ou DAT aux connecteurs TAPE2/MD.

Tourne-disque



Remarque
Raccordez le conducteur de mise à la terre à la borne de SIGNAL GND (♣) de l'amplificateur pour éviter le ronflement.

Téléviseur ou magnétoscope



EON CONTROL

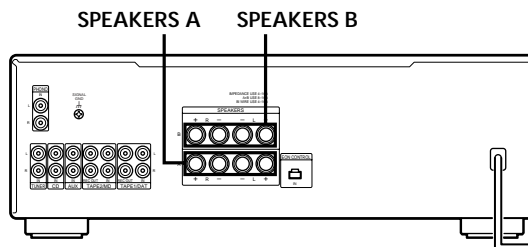


Si votre tuner est pourvu d'une borne EON CONTROL OUT, raccordez-là à la borne EON CONTROL IN de l'amplificateur pour permettre l'emploi de la fonction EON (Réseau de fréquences locales) de RDS (Radio Data System) (voir page 8).

Raccordement des enceintes

Aperçu

Cette section explique comment raccorder des enceintes à l'amplificateur. Vous pouvez raccorder deux paires d'enceintes, SPEAKERS A et B.



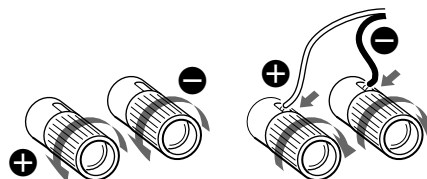
Quels cordons utiliser?

Cordons d'enceinte (non fournis) (1 pour chaque enceinte)



Torsadez les extrémités à nu du cordon sur 15 mm environ. Raccordez bien les cordons appropriés aux bornes, c'est-à-dire + à + et - à -. Si les cordons sont inversés, le son sera déformé et manquera de graves.

Raccordements



Raccordement d'une paire d'enceintes à deux fils

Comme les doubles connecteurs d'enceinte de l'amplificateur, SPEAKERS A et B, peuvent assurer une sortie d'enceintes simultanée, ils peuvent servir au raccordement d'enceintes à deux fils. Ou bien, égalez à A+B pour piloter les deux simultanément.

Sélection des enceintes A ou B

Réglez SPEAKERS à A ou B. Ou bien, égalez à A+B pour piloter les deux simultanément.

Remarque

Utilisez des enceintes à impédance nominale de 4 à 16 ohms. Quand le son est fourni en même temps aux deux paires d'enceintes, utilisez des enceintes à impédance nominale de 8 à 16 ohms.

Raccordement du cordon d'alimentation secteur

Raccordement du cordon d'alimentation secteur

Raccordez les cordons d'alimentation secteur de cet amplificateur et des appareils audio et vidéo à une prise murale.



Vous pouvez alimenter d'autres appareils via le connecteur AC OUTLET de l'amplificateur (non disponible sur le modèle pour le R. -U.)

Si vous raccordez d'autres appareils audio à AC OUTLET de l'amplificateur, il est possible d'alimenter les appareils raccordés via l'amplificateur, ce qui permet de mettre tout le système sous/hors tension en mettant l'amplificateur sous/hors tension.

Précaution

Vérifiez que la consommation totale de tous les appareils raccordés aux sorties de l'amplificateur ne dépasse pas 100 watts. Ne raccordez pas d'appareil électrique domestique, tels que fer à repasser, téléviseur, ou autre appareil gros consommateur à ces sorties.

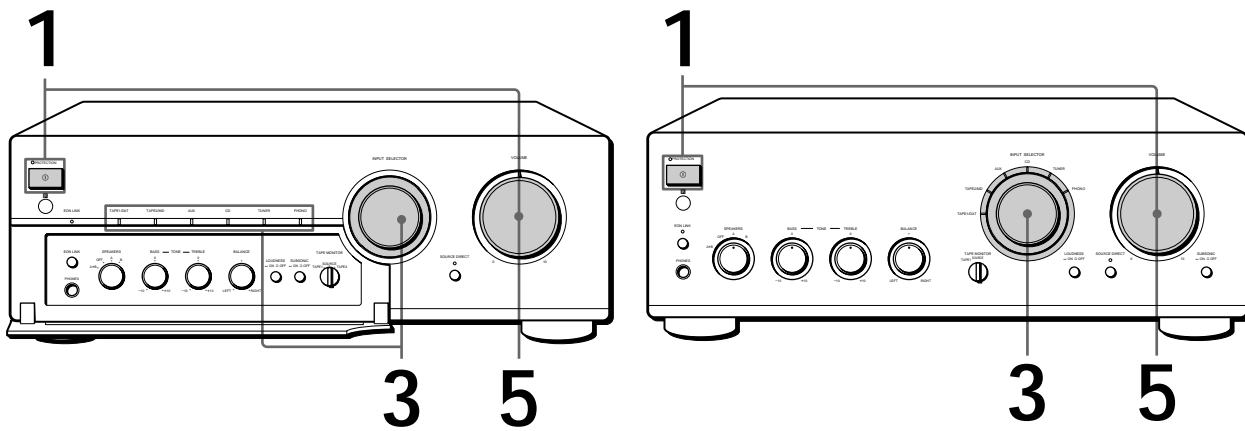
Remarque


Séparez le cordon d'alimentation, les cordons de liaison audio et les cordons d'enceintes les uns des autres. Du bruit ou une détérioration du son est possible quand les cordons audio sont en contact avec le cordon d'alimentation secteur. ou quand le cordon d'alimentation secteur ou les cordons d'enceintes sont à proximité de l'antenne cadre ou de l'antenne fil du tuner.


Ecoute d'une source musicale

TA-FB920R

TA-FB820R/FB720R



 Pour écouter avec des écouteurs
Raccordez les écouteurs à PHONES et réglez SPEAKERS à OFF.

 Pour écouter directement le signal d'entrée
Appuyez sur SOURCE DIRECT de sorte que l'indicateur s'allume. Comme les circuits des commandes TONE, BALANCE, LOUDNESS et SUBSONIC sont contournés, le réglage des graves, aigus, de la balance, le renforcement des graves et des aigus, ou la réduction du bruit subsonique sont impossibles pendant l'écoute directe.

Remarque

Évitez toute sortie des enceintes à niveau très élevé à laquelle le son est déformé. La distorsion de haute fréquence peut endommager les haut-parleurs d'aigus.

1 Appuyez sur ① pour allumer l'amplificateur et tournez VOLUME complètement vers la gauche pour éviter d'endommager les enceintes par une sortie de son excessive. L'indicateur PROTECTION s'allume, puis s'éteint.

2 Allumez la source de programme que vous souhaitez écouter.

3 Tournez INPUT SELECTOR pour sélectionner la source de programme. L'indicateur correspondant à la source de programme s'allume.

Pour écouter	Réglez INPUT SELECTOR sur
Un disque	PHONO
La radio	TUNER
Un disque compact	CD
La source raccordée à AUX	AUX
La source raccordée à: —TAPE1/DAT —TAPE2/MD	TAPE1/DAT TAPE2/MD

4 Démarrez la source de programme.

5 Réglez le volume en tournant la commande VOLUME.

Pour	Appuyez ou tournez
Régler les graves	BASS
Régler les aigus	TREBLE
Régler la balance	BALANCE
Renforcer les graves et les aigus à niveau d'écoute faible	LOUDNESS
Réduire le bruit subsonique créé par des disques gondolés, etc.	SUBSONIC



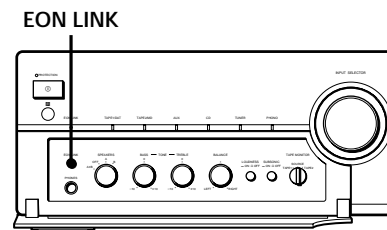
Qu'est-ce que "EON" (réseau de fréquences locales)?

Le réseau "EON" (réseau de fréquences locales) est un service RDS très pratique qui permet à l'appareil de passer automatiquement au type de programme de votre choix dès que sa diffusion commence dans la région.

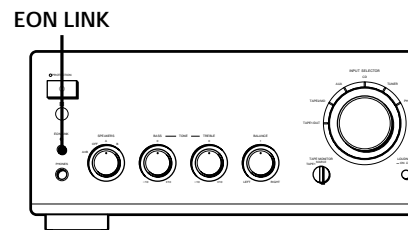
Pour recevoir les programmes EON (réseau de fréquences locales)

Quand votre amplificateur est raccordé à un tuner Sony à système EON CONTROL, il commute au programme EON diffusé dans la région EON, puis revient à la source de programme sélectionnée quand le programme est terminé.

TA-FB920R



TA-FB820R/FB720R



- 1 Vérifiez que l'amplificateur et le tuner sont raccordés par les connecteurs EON CONTROL (voir page 5).
- 2 Appuyez sur EON LINK de sorte que le témoin s'allume. Vous recevrez tout programme EON diffusé sur la fréquence radio sélectionnée au tuner dès qu'il commencera.

Pour annuler la réception EON

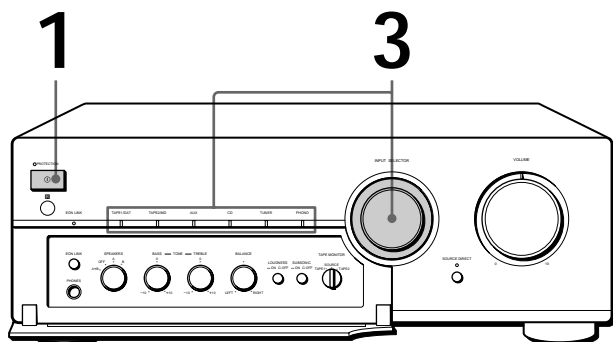
Appuyez une seconde fois sur EON LINK de manière à éteindre le témoin.

Remarques

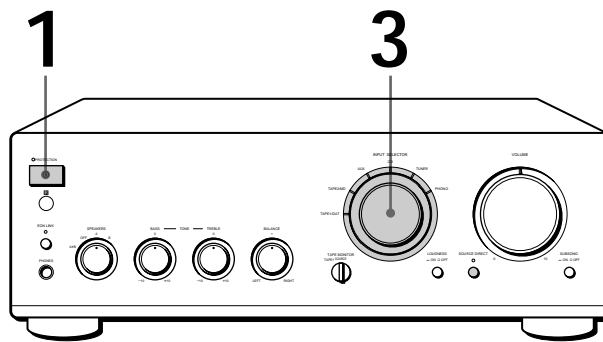
- Si vous sélectionnez une autre source de programme pendant la réception d'un programme EON, la réception EON s'arrêtera. Mais tant que le témoin EON LINK reste allumé, il est possible de recevoir automatiquement les programmes EON.
- Annulez la réception EON avant de commencer l'enregistrement car un programme EON pourrait interférer avec l'enregistrement.
- Si vous activez la fonction de contrôle de bande (voir page 9) alors que le témoin EON LINK est allumé, le témoin s'éteint et la réception des programmes EON devient impossible. Dans ce cas, désactivez la fonction de contrôle de bande pour que le témoin se rallume.


Enregistrement


TA-FB920R




TA-FB820R/FB720R



 Vous pouvez enregistrer la même source de programme sur trois enregistreurs en même temps.

 Vous pouvez contrôler le son enregistré (fonction d'écoute de bande)
Vous pouvez contrôler le son enregistré si la platine à cassette utilisée pour l'enregistrement a des têtes d'enregistrement et de lecture séparées. Pour contrôler le son enregistré, réglez TAPE MONITOR à TAPE1 ou TAPE2. Notez que, sur le TA-FB820R/FB720R, vous pouvez seulement contrôler le son enregistré par les connecteurs TAPE1/DAT.

- 1** Appuyez sur  pour allumer l'amplificateur.
- 2** Allumez la source de programme que vous souhaitez enregistrer.
- 3** Sélectionnez la source que vous voulez enregistrer en tournant INPUT SELECTOR.
L'indicateur correspondant à la source de programme s'allume.

Pour enregistrer	Réglez INPUT SELECTOR à
Un disque	PHONO
Une émission de radio	TUNER
Un disque compact	CD
La source raccordée à AUX	AUX
La source raccordée à: —TAPE1/DAT —TAPE2/MD	TAPE1/DAT TAPE2/MD

- 4** Préparez l'enregistreur, puis commencez l'enregistrement.
- 5** Démarrez la lecture de la source de programme.

Guide de dépannage

Si vous rencontrez un problème quelconque quand vous utilisez l'amplificateur, consultez ce guide de dépannage pour le résoudre. Si le problème persiste, consultez le revendeur Sony le plus proche.

Aucun son

- ➔ Insérez à fond les fiches des cordons de liaison dans les prises.
- ➔ Raccordez l'amplificateur et les autres appareils audio correctement.
- ➔ Réglez INPUT SELECTOR à la source de programme appropriée.

Aucun son sur un canal ou sortie d'enceinte déséquilibrée.

- ➔ Tournez BALANCE pour ajuster la balance.
- ➔ Vérifiez les liaisons d'enceintes et d'entrée du canal sans son.

Faiblesse des graves ou des aigus.

- ➔ Réglez les commandes TONE.
- ➔ Changez les enceintes de position ou la disposition des meubles dans la pièce pour éliminer ce qui fait obstacle dans le parcours du son.

Son déformé.

- ➔ Signal d'entrée mal sélectionné.
- ➔ Capacité d'entrée insuffisante des enceintes. Baissez le volume.

Absence de graves ou ambiguïté de la position des instruments.

- ➔ Les cordons d'enceintes et la polarité des bornes sont inversés. Raccordez les cordons en respectant les polarités.

Ronflement ou bruit.

- ➔ Mettre le tourne-disque à la terre (voir page 5).
- ➔ Insérez les fiches des cordons de liaison fermement dans les prises.
- ➔ L'amplificateur capte des interférences produites par un téléviseur. Éloignez l'amplificateur du téléviseur ou éteignez le téléviseur.

La télécommande ne fonctionne pas.

- ➔ Éliminez les obstacles entre le capteur de télécommande de l'amplificateur et la télécommande.
- ➔ Dirigez la télécommande vers le capteur de télécommande à l'avant de l'amplificateur.
- ➔ La télécommande est trop éloignée de l'amplificateur. Rapprochez-vous.
- ➔ Remplacez les piles de la télécommande.

L'indicateur PROTECTION s'allume et/ou perte de son brusque.

- ➔ Vérifiez s'il n'y a pas eu un court-circuit. Éteignez l'amplificateur et vérifiez les appareils et enceintes raccordés.

Spécifications

Section amplificateur

Sortie DIN

TA-FB920R (Europe continentale):
120 W + 120 W (4 ohms à 1 kHz)
80 W + 80 W (8 ohms à 1 kHz)
TA-FB920R (R.-U):
100 W + 100 W (4 ohms à 1 kHz)
65 W + 65 W (8 ohms à 1 kHz)
TA-FB820R: 100 W + 100 W (4 ohms à 1 kHz)
65 W + 65 W (8 ohms à 1 kHz)
TA-FB720R: 90 W + 90 W (4 ohms à 1 kHz)
60 W + 60 W (8 ohms à 1 kHz)

Distorsion harmonique totale

Inf. à 0,008% (à sortie de 10 W)

Réponse de fréquence

PHONO (20 Hz - 20 kHz): Courbe d'égalisation RIAA
±0,5 dB
TUNER, CD, AUX, TAPE1/DAT, TAPE2/MD:
7 Hz - 100 kHz: ±3 dB

Rapport signal bruit (réseau)

PHONO
TA-FB920R/FB820R: 94 dB
TA-FB720R: 90 dB
TUNER, CD, AUX, TAPE1/DAT, TAPE2/MD:
105 dB

Tension de sortie/impédance

REC OUT 1, 2: 150 mV, 1 kilohm
PHONES: 10 mW (à 8 ohms)

Impédance des enceintes

4 - 16 ohms, 8 - 16 ohms (SPEAKERS A+B)

Facteur d'amortissement

100 (8 ohms, 1 kHz)

Généralités

Systeme

Amplificateur de puissance: SEPP OCL purement complémentaire avec étages complets directement couplés
Préamplificateur: Amplificateur égaliseur à bruit faible

Alimentation

CA 230 V, 50/60 Hz

Consommation

TA-FB920R: 210 W
TA-FB820R: 180 W
TA-FB720R: 170 W

Dimensions (approx.) (l/h/p)

TA-FB920R: 430 × 150 × 410 mm
TA-FB820R/FB720R: 430 × 150 × 405 mm
pièces saillantes et commandes comprises

Poids (approx.)

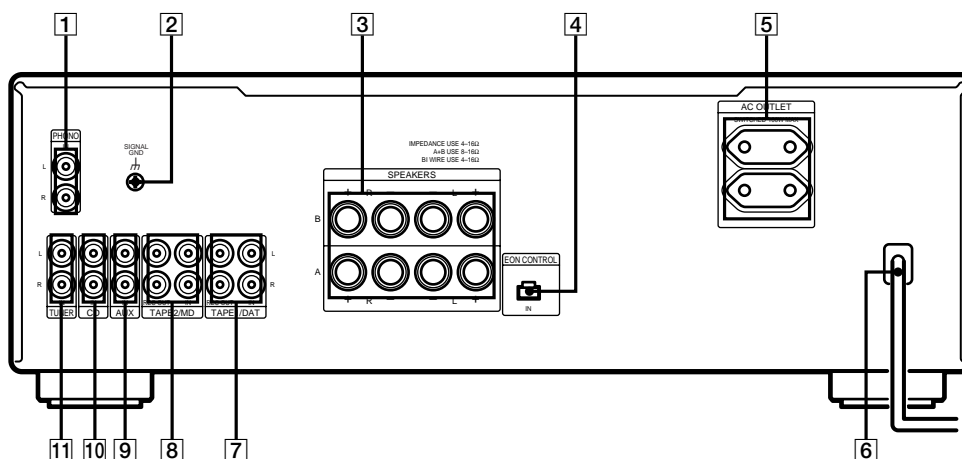
TA-FB920R: 10,3 kg
TA-FB820R: 9,3 kg
TA-FB720R: 8,6 kg

Accessoires fournis

Voir page 3.


La conception et les spécifications peuvent être modifiées sans préavis.

Description du panneau arrière

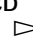



- | | |
|--|-----------------------------|
| 1 PHONO | 6 Conducteur d'alimentation |
| 2 h (SIGNAL GND) | 7 TAPE1/DAT |
| 3 SPEAKERS A/B | 8 TAPE2/MD |
| 4 EON CONTROL IN | 9 AUX |
| 5 AC OUTLET (non disponible avec le TA-FB920R (modèle pour le R. -U.)) | 10 CD |
| | 11 TUNER |

Description des touches de la télécommande

Vous pouvez utiliser la télécommande fournie pour contrôler d'autres appareils audio Sony portant la marque  (capteur de télécommande).

Touches de télécommande	Appareil	Fonction
FUNCTION		
CD	Amplificateur	Sélection des signaux entrés par les connecteurs CD.
TUNER	Amplificateur	Sélection des signaux entrés par les connecteurs TUNER.
PHONO	Amplificateur	Sélection des signaux entrés par les connecteurs PHONO.
TAPE1/DAT	Amplificateur	Sélection des signaux entrés par les connecteurs TAPE1/DAT.
TAPE2/MD	Amplificateur	Sélection des signaux entrés par les connecteurs TAPE2/MD.
AUX	Amplificateur	Sélection des signaux entrés par les connecteurs AUX.
TUNER		
PRESET +/-	Tuner	Balayage et sélection des stations pré-réglées.

Touches de télécommande	Appareil	Fonction
CD	Lecteur CD	Démarrage de la lecture
	Lecteur CD	Démarrage de la lecture
	Lecteur CD	Pause de la lecture
■	Lecteur CD	Arrêt de la lecture
◀◀/▶▶	Lecteur CD	Localisation des pages (AMS*)
D.SKIP	Lecteur CD	Saut d'un disque (pour un lecteur CD à changer multidisque)
MD		
	Lecteur MD	Démarrage de la lecture
	Lecteur MD	Pause de la lecture
■	Lecteur MD	Arrêt de la lecture
◀◀/▶▶	Lecteur MD	Localisation des pages
TAPE DECK A/B		
◀/▶	Platine A ou B	Démarrage de la lecture
■	Platine A ou B	Arrêt de toutes les opérations de bande
◀◀/▶▶	Platine A ou B	Avance rapide ou rebobinage de la bande
VOL +/-	Amplificateur	Contrôle du volume

*Déecteur automatique de page (Automatic Music Sensor)

ADVERTENCIA

Para evitar incendios o el riesgo de electrocución, no exponga la unidad a la lluvia ni a la humedad.

Para evitar descargas eléctricas, no abra la unidad. En caso de avería, solicite los servicios de personal cualificado.

No instale el aparato en un espacio cerrado, como una estantería para libros o un armario empotrado.

Precauciones

Seguridad

- No desarme la caja porque podría recibir una descarga eléctrica. En caso de avería, solicite los servicios de personal cualificado.
- Si dentro de la caja cae algún objeto sólido o líquido, desenchufe el amplificador y haga que sea comprobado por personal cualificado.

Fuentes de alimentación

- Antes de utilizar el amplificador, compruebe si su tensión de alimentación es idéntica a la de la red local. La tensión de alimentación está indicada en la placa de características de la parte posterior del amplificador.
- Cuando no vaya a utilizar el amplificador durante mucho tiempo, cerciórese de desenchufarlo de la toma de la red. Para desconectar el cable de alimentación, tire del enchufe, no tire nunca del propio cable.
- El cable de alimentación de CA solamente deberá ser reemplazado por personal cualificado.

Ubicación

- Coloque el amplificador en un lugar adecuadamente ventilado para evitar el recalentamiento interno del mismo y prolongar su duración.
- No coloque el amplificador cerca de fuentes térmicas, ni en un lugar sometido a la luz solar directa, a polvo excesivo, ni a golpes.
- No coloque nada sobre el amplificador, ya que podría bloquear los orificios de ventilación y provocar el mal funcionamiento.

Operación

Antes de conectar otros componentes, cerciórese de desconectar la alimentación y desenchufar el amplificador.

Limpieza del amplificador

Limpie la caja, el panel y los controles con un paño suave ligeramente humedecido en una solución poco concentrada de detergente. No utilice ningún tipo de estropajo, polvo abrasivo, ni disolventes como alcohol o bencina.

Para evitar el aullido

Haga lo siguiente:

- reduzca el volumen.
 - mantenga el giradiscos lo más alejado posible de los altavoces.
 - coloque amortiguadores adquiridos en una tienda del ramo, en la base del giradiscos.
 - cuando utilice un micrófono, manténgalo alejado de los altavoces.
- Para más protección contra el aullido, coloque los altavoces o el giradiscos sobre un tablero pesado de madera o sobre una plancha de hormigón.

Si tiene alguna pregunta o problema en relación con su amplificador, consulte con su distribuidor Sony.

¡Bienvenido!

Muchas gracias por la adquisición de este amplificador integrado estéreo Sony. Antes de utilizar el amplificador, lea detenidamente este manual y consérvelo para futuras referencias.

Descripción de este manual

Las instrucciones de este manual son para los modelos TA-FB920R, FB820R, y FB720R. Compruebe su número de modelo observando el panel posterior de su amplificador. Este manual, para fines de ilustración se utiliza el modelo TA-FB920R a menos que se indique lo contrario. Cualquier diferencia en la operación se indicará claramente en el texto, por ejemplo "TA-FB920R solamente".

Convencionalismo

- En las instrucciones de este manual se describen los controles de este amplificador.
Con respecto a los detalles sobre el control con el telemando, consulte "Descripción de las teclas del telemando" de la página 12.
- En este manual se utiliza el icono siguiente:



Indica sugerencias y consejos para facilitar la tarea.

Índice

Preparativos

- Descripción general de las conexiones 4
- Conexión de componentes de audio 4
- Conexión del sistema de altavoces 5
- Conexiones de los cables de alimentación 6

Escucha de música 7

Grabación 9

Información adicional

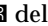
- Solución de problemas 10
- Especificaciones 10
- Descripción del panel posterior 12
- Descripción de las teclas del telemando 12

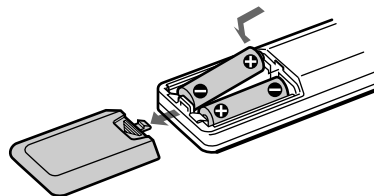
Desembalaje

Compruebe si ha recibido los accesorios suministrados siguientes:

- Telemando (remoto) (1) RM-S316
- Pilas Sony R6 (tamaño AA) (2)

Colocación de las pilas en el telemando

Inserte dos pilas R6 (tamaño AA) haciendo coincidir + y - de las mismas con las marcas del interior del compartimento de las pilas. Cuando utilice el telemando, apunte con él hacia el sensor de control remoto  del amplificador.



Cuándo reemplazar las pilas

En utilización normal, las pilas deberán durar unos 6 meses. Cuando el telemando no pueda controlar el amplificador, reemplace todas las pilas.

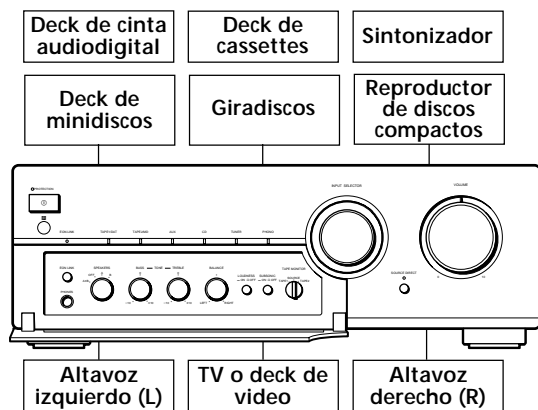
Notas

- No deje el telemando cerca de un lugar extremadamente cálido ni húmedo.
- No deje caer ningún objeto extraño dentro del telemando, especialmente cuando reemplace las pilas.
- No exponga el sensor del control remoto a la luz solar directa ni a equipos de iluminación. Si lo hiciese, podría causar el mal funcionamiento.
- Cuando no vaya a utilizar el telemando durante mucho tiempo, extraígale las pilas para evitar el daño que podría causar el electrolito de las mismas.

Descripción general de las conexiones

El amplificador le permitirá conectar y controlar los componentes de audio siguientes. Siga los procedimientos de conexión indicados para cada componente que desee conectar.

Para aprender la ubicación y los nombres de cada toma, consulte "Descripción del panel posterior" de la página 12.



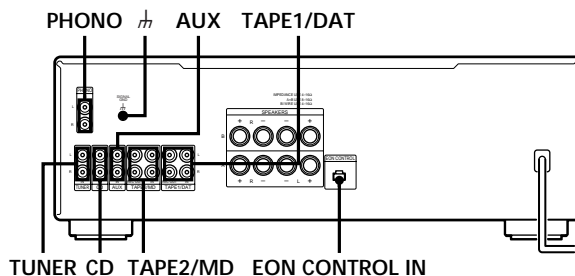
Antes de comenzar

- Antes de realizar cualquier conexión, desconecte la alimentación de todos los componentes.
- No conecte los cables de alimentación de los diversos componentes mientras no haya finalizado todas las conexiones.
- Para realizar la conexión al amplificador, utilice los cables conectores de audio suministrados con cada componente. Adquiera los cables opcionales requeridos.
- Cerciérese de realizar firmemente las conexiones para evitar zumbidos y ruidos.
- Cuando conecte un cable de audio, cerciérese de conectar las tomas del canal derecho (R) y del izquierdo (L) del amplificador a las tomas R y L de los demás componentes.

Conexión de componentes de audio

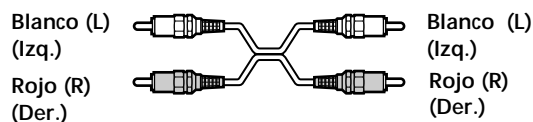
Descripción general

En esta sección se describe cómo conectar sus componentes de audio al amplificador.



¿Qué cables se necesitan?

Cables conectores de audio (no suministrados) (2 para cada deck de cassettes, deck de cinta audiodigital o deck de minidiscos, 1 para los otros componentes)

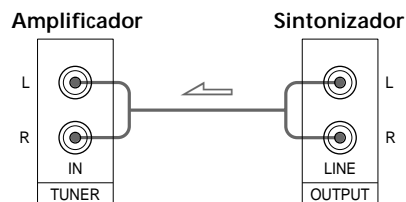
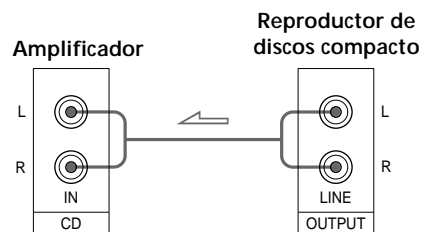


Conexiones

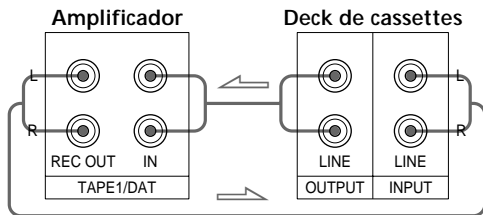
La flecha ➡ indica el flujo de la señal.

Reproductor de discos compactos

Sintonizador



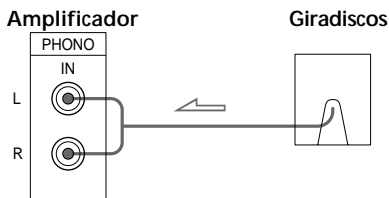
Deck de cassettes, deck de cinta audiodigital o deck de minidiscos



Utilice la configuración mostrada arriba para conectar las tomas OUTPUT e INPUT de:

- un deck de cassettes o deck de cinta audiovisual a las tomas TAPE1/DAT.
- un deck de cassettes o deck de minidiscos a las tomas TAPE2/MD.

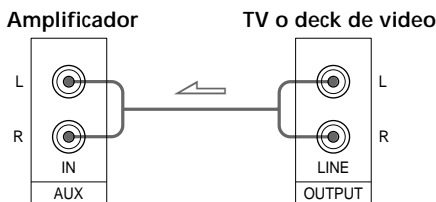
Giradiscos



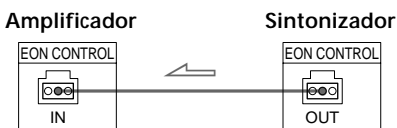
Nota

Para evitar los zumbidos, conecte el cable a tierra en el terminal SIGNAL GND de la terminal h del amplificador.

TV o deck de video



EON CONTROL

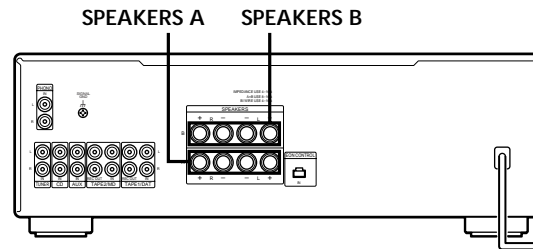


Si su sintonizador tiene un terminal EON CONTROL OUT, conéctelo al terminal EON CONTROL IN del amplificador para utilizar la función EON (Enhanced Other Networks: Recepción de otras redes mejoradas) del RDS (Sistema de Datos de Radio) (consulte la página 8).

Conexión del sistema de altavoces

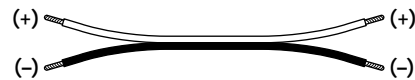
Descripción general

En esta sección se describe cómo conectar sus altavoces al amplificador. Usted podrá conectar dos pares de altavoces, SPEAKERS A y B.



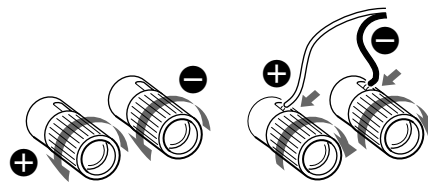
¿Qué cables se necesitan?

Cables de altavoces (no suministrados) (1 para cada altavoz)



Retuerza los extremos pelados de los conductores unos 15 mm. Cerciérese de hacer coincidir los conductores con los terminales apropiados de los altavoces y del amplificador, + a + y - a -. Si invirtiese los conductores, el sonido se distorsionaría y se perderían los graves.

Conexiones



Conexión a altavoces con sistema de doble cable

Como los pares de terminales para altavoces de su amplificador, SPEAKERS A y B, proporcionan salida simultánea para altavoces, podrá utilizarlos para conectar un sistema de altavoces de doble cable. Para escuchar simultáneamente de los dos sistemas de altavoces mueva SPEAKERS a A+B.

Para seleccionar el sistema de altavoces A o B

Mueva SPEAKERS a A o B. Para escuchar simultáneamente de los dos sistemas de altavoces mueva SPEAKERS a A+B.

Nota

Utilice altavoces con una impedancia nominal de 4 a 16 ohmios. Cuando excite dos sistemas de altavoces al mismo tiempo, utilice altavoces con una impedancia nominal de 8 a 16 ohmios.

Conexiones de los cables de alimentación

Conexión de los cables de alimentación

Conecte el cable de alimentación de este amplificador y de los diversos componentes de audio/video a una toma de la red.



Se pueden conectar otros componentes por el AC OUTLET del amplificador (no existe en el modelo para el Reino Unido)

Si se conectan los otros componentes de audio en el AC OUTLET de este amplificador, podrá alimentar la corriente a los componentes conectados por el amplificador para que pueda conectar/desconectar todos, con sólo conectar/desconectar el amplificador.

Precaución

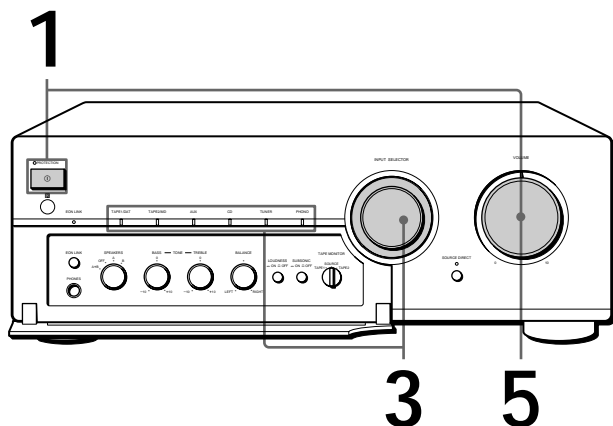
Asegúrese de que el consumo total de corriente de todos los componentes conectados a las tomas de red del amplificador no supera 100 vatios. No conecte aparatos electrodomésticos tales como una plancha, ventilador, TV u otros aparatos que utilicen gran vatiaje en estas tomas de la red.

Nota

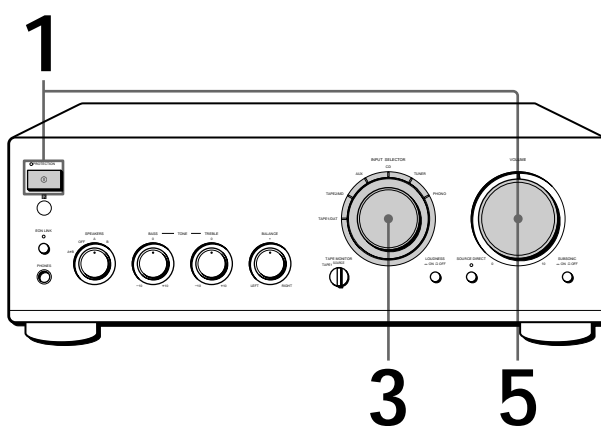
Separe el cable eléctrico, cables de conexión de audio y cables de altavoz. Puede producirse ruido o deterioro del sonido cuando los cables de conexión de audio están en contacto con el cable eléctrico, o cuando el cable eléctrico o cables de altavoz están cerca de antena de cuando o cable de antena del sintonizador.

Escucha de música

TA-FB920R



TA-FB820R/FB720R



Para escuchar a través de auriculares
Enchufe los auriculares en PHONES y ponga SPEAKERS en OFF.

Para escuchar directamente la señal de entrada
Ponga SOURCE DIRECT para que se encienda el indicador. Debido a que los circuitos de los controles de TONE, control BALANCE, botón LOUDNESS y botón SUBSONIC están en derivación durante la escucha directa, no podrá ajustar los graves, los agudos, ni el equilibrio, reforzar los graves, los agudos o reducir los componentes de ruido subsónico.

Nota

Evite aplicar una salida tan alta a los altavoces que el sonido se distorsione. La distorsión de alta frecuencia podría dañar los altavoces de agudos.

1 Presione ① para conectar la alimentación del amplificador y gire VOLUME completamente hacia la izquierda para evitar dañar los altavoces con una salida excesiva.
El indicador PROTECTION se enciende y después se apaga.

2 Conecte la alimentación de la fuente de programas que desee escuchar.

3 Ponga INPUT SELECTOR en la posición correspondiente a la fuente de programas.
El indicador de la fuente de programas se encenderá.

Para escuchar	ponga INPUT SELECTOR en
un disco analógico	PHONO
un programa de radiodifusión	TUNER
un disco compacto	CD
una fuente conectada a AUX	AUX
una fuente conectada a —TAPE1/DAT —TAPE2/MD	TAPE1/DAT TAPE2/MD

4 Ponga en reproducción la fuente de programas.

5 Ajuste el volumen girando VOLUME.

Para	presione o gire
ajustar los graves	BASS
ajustar los agudos	TREBLE
ajustar el equilibrio	BALANCE
reforzar los graves y agudos con un volumen bajo	LOUDNESS
reducir los componentes de ruido subsónico que se escuchan con discos curvados, etc.	SUBSONIC



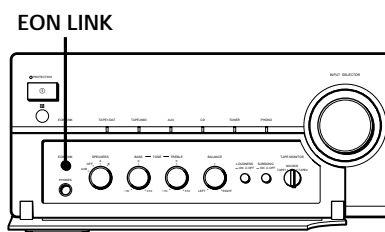
¿Qué es la recepción de otras redes mejoradas (EON)?

Un servicio muy útil de RDS es el de "otras redes mejoradas" (o "EON"). Este servicio le permitirá que la unidad cambie automáticamente a un tipo de programa de su elección cuando se inicie la radioemisión del mismo en su zona.

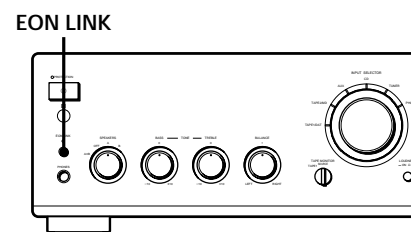
Para recibir programas de otras redes mejoradas (EON)

Cuando haya conectado el amplificador a un sintonizador con el sistema EON CONTROL, el amplificador cambiará de la función actualmente seleccionada a un programa EON cuando ésta empieza a transmitir en su zona, y cuando finalice el programa el amplificador vuelve a la última fuente de programas seleccionada.

TA-FB920R



TA-FB820R/FB720R



- 1 Asegúrese de que el amplificador y el sintonizador están conectados por los terminales EON CONTROL (consulte la página 5).
- 2 Presione EON LINK de forma que se encienda el indicador. Cuando empieza a transmitirse un programa EON en la frecuencia de radio seleccionada en el sintonizador, podrá recibir ésta.

Para cancelar la recepción de EON

Presione EON de forma que se apague el indicador.

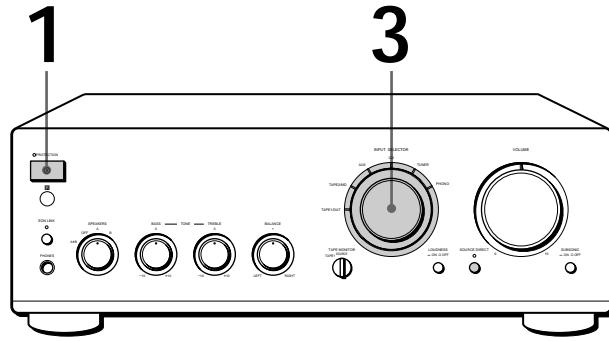
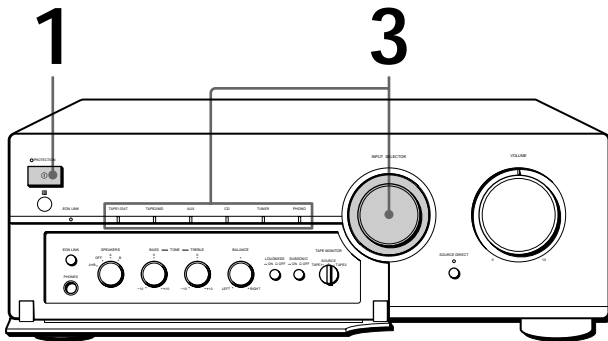
Notas


- Si se selecciona otra fuente de programas durante la recepción de un programa EON, se para la recepción EON. Sin embargo, durante todo el tiempo que el indicador EON LINK esté encendido, podrá recibir automáticamente el programa transmitido EON.
- Durante la grabación, usted podrá escuchar la recepción de EON. Esto no afectará la grabación.
- Si se activa la función del monitor de cinta (consulte la página 9) mientras el indicador EON LINK está encendido, se apaga el indicador y no podrá recibir el programa EON. En este caso, desactive la función del monitor de cinta para que se encienda otra vez el indicador.


Grabación

TA-FB920R

TA-FB820R/FB720R



 Usted podrá grabar simultáneamente la misma fuente en dos componentes de grabación.

 Usted podrá escuchar el sonido grabado (Función del monitor de cinta)
Podrá escuchar el sonido que se está grabando si el deck de cassettes en el que está grabando posee cabezas de grabación y reproducción separadas.
Para escuchar el sonido nueva TAPE MONITOR a TAPE1 o TAPE2.
Recuerde que en TA-FB820R/FB720R podrá escuchar sólo el sonido que se está grabando de las tomas TAPE1/DAT.

1 Presione ① para conectar la alimentación del amplificador.

2 Conecte la alimentación de la fuente de programas que desee grabar.

3 Seleccione la fuente de programas que desea grabar girando INPUT SELECTOR.

El indicador para la fuente de programas se enciende.

Para grabar	ponga INPUT SELECTOR en
un disco analógico	PHONO
un programa de radiodifusión	TUNER
un disco compacto	CD
una fuente conectada a AUX	AUX
una fuente conectada a —TAPE1/DAT —TAPE2/MD	TAPE1/DAT TAPE2/MD

4 Prepare la unidad para grabación, y después inicie la grabación.

5 Ponga en reproducción la fuente de programas.

Solución de problemas

Si experimenta cualquiera de las dificultades siguientes cuando utilice el amplificador, use esta guía para tratar de resolver el problema. Si el problema persiste, consulte a su proveedor Sony.

No hay salida de sonido.

- ➔ Conecte firmemente los cables conectores de audio.
- ➔ Conecte correctamente el amplificador y los demás componentes de audio
- ➔ Ponga INPUT SELECTOR en la fuente de programas apropiada.

No hay sonido a través de un canal o la salida de los altavoces está desequilibrada.

- ➔ Gire BALANCE para ajustar el equilibrio.
- ➔ Compruebe el altavoz y la conexión de entrada del canal inactivo.

Los graves o los agudos son débiles

- ➔ Ajuste los controles TONE.
- ➔ Cambie la posición de los altavoces o las condiciones de la sala para eliminar las obstrucciones en la trayectoria del sonido.

El sonido se oye distorsionado

- ➔ La señal de entrada está inadecuadamente seleccionada.
- ➔ La capacidad de entrada de los altavoces es insuficiente. Reduzca el volumen.

Faltan graves o existe ambigüedad en la posición de los instrumentos.

- ➔ La polaridad de los cables y los terminales de los altavoces está invertida. Conecte los cables con la polaridad correcta.

Se oye zumbido o ruido.

- ➔ Conecte el giradiscos a tierra (consulte la página 5).
- ➔ Conecte firmemente los cables conectores de audio.
- ➔ El amplificador está captando interferencias de un televisor. Aleje el amplificador del televisor o desconecte la alimentación del televisor.

No es posible realizar operaciones de control remoto con el telemando.

- ➔ Elimine los obstáculos entre el sensor de control remoto del amplificador y el telemando.
- ➔ Apunte el telemando hacia el sensor de control remoto del panel frontal del amplificador.
- ➔ El telemando está demasiado alejado del amplificador. Acérquelo al amplificador.
- ➔ Reemplace las pilas del telemando.

Se enciende el indicador PROTECTION y/o el sonido se pierde repentinamente.

- ➔ Verifique si los cables de altavoces se han cortocircuitado. Desconecte la alimentación del amplificador e inspeccione los componentes y altavoces conectados.

Especificaciones

Sección del amplificador

Salida de potencia DIN

TA-FB920R (Continente europeo):
120 W + 120 W (4 ohmios a 1 kHz)
80 W + 80 W (8 ohmios a 1 kHz)
TA-FB920R (Reino Unido):
100 W + 100 W (4 ohmios a 1 kHz)
65 W + 65 W (8 ohmios a 1 kHz)
TA-FB820R: 100 W + 100 W (4 ohmios a 1 kHz)
65 W + 65 W (8 ohmios a 1 kHz)
TA-FB720R: 90 W + 90 W (4 ohmios a 1 kHz)
60 W + 60 W (8 ohmios a 1 kHz)

Distorsión armónica total

Menos de 0,008 % con salida 10 W

Respuesta de frecuencia

PHONO (20 Hz - 20 kHz): Curva de equalización
RIAA $\pm 0,5$ dB
TUNER, CD, AUX, TAPE1/DAT, TAPE2/MD:
7 Hz - 100 kHz: ± 3 dB

Relación señal-ruido (red)

PHONO
TA-FB920R/FB820R: 94 dB
TA-FB720R: 90 dB
TUNER, CD, AUX, TAPE1/DAT, TAPE2/MD:
105 dB

Voltaje/impedancia de salida

REC OUT 1, 2: 150 mV, 1 kilohm
PHONES: 10 mW (a 8 ohmios)

Impedancia de los altavoces

4 - 16 ohmios, 8 - 16 ohmios (SPEAKERS A+B)

Factor de amortiguación

100 (8 ohmios, 1 kHz)

Generales

Sistema

Amplificador de potencia: Amplificador de potencia con SEPP OCL complementario puro con todas las etapas directamente acopladas

Preamplificador: Amplificador ecualizador de bajo ruido

Especificaciones eléctricas

230 V AC, 50/60 Hz

Consumo eléctrico

TA-FB920R: 210 W

TA-FB820R: 180 W

TA-FB720R: 170 W

Dimensiones (aprox.) (an/al/prf)

TA-FB920R: 430 × 150 × 410 mm

TA-FB820R/FB720R: 430 × 150 × 405 mm

Incl. partes y controles salientes

Masa (aprox.)

TA-FB920R: 10,3 kg

TA-FB820R: 9,3 kg

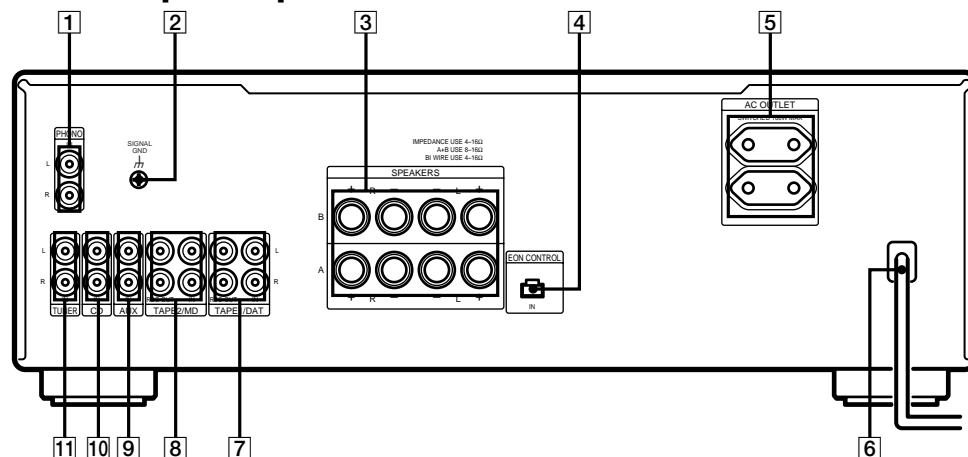
TA-FB720R: 8,6 kg

Accesorios suministrados

Consulte la página 3.

Diseño y especificaciones sujetos a cambio sin previo aviso.

Descripción del panel posterior



- | | |
|--|--------------------|
| 1 PHONO | 7 TAPE1/DAT |
| 2 \hbar (SIGNAL GND) | 8 TAPE2/MD |
| 3 SPEAKERS A/B | 9 AUX |
| 4 EON CONTROL IN | 10 CD |
| 5 AC OUTLET (no existe en TA-FB920R (modelo para el Reino Unido)) | 11 TUNER |
| 6 Cable eléctrico | |

Descripción de las teclas del telemando

Se puede utilizar el telemando que viene con este aparato para controlar otros componentes de audio de Sony que tengan la marca (sensor de telemando).

Tecla(s) del telemando	Para controlar el	Función
FUNCION		
CD	Amplificador	Selecciona la señal de entrada de las tomas CD.
TUNER	Amplificador	Selecciona la señal de entrada de las tomas TUNER.
PHONO	Amplificador	Selecciona la señal de entrada de las tomas PHONO.
TAPE1/DAT	Amplificador	Selecciona la señal de entrada de las tomas TAPE1/DAT.
TAPE2/MD	Amplificador	Selecciona la señal de entrada de las tomas TAPE2/MD.
AUX	Amplificador	Selecciona la señal de entrada de las tomas AUX.
TUNER		
PRESET +/-	Sintonizador	Explora y selecciona las emisoras memorizadas.

Tecla(s) del telemando	Para controlar el	Función
CD		
	Reproductor de disco compactos	Inicia la reproducción.
	Reproductor de disco compactos	Realiza una pausa en la reproducción.
	Reproductor de disco compactos	Para la reproducción.
	Reproductor de disco compactos	Localiza canciones (AMS*).
D.SKIP	Reproductor de disco compactos	Salta un disco (para el reproductor de discos compactos equipado con un cambiador de múltiples discos).
MD		
	Deck de minidiscos	Inicia la reproducción.
	Deck de minidiscos	Realiza una pausa en la reproducción.
	Deck de minidiscos	Para la reproducción.
	Deck de minidiscos	Localiza canciones.
TAPE DECK A/B		
	Deck A o B	Inicia la reproducción.
	Deck A o B	Para todas las operaciones de la cinta.
	Deck A o B	Avanza o rebobina rápidamente la cinta.
VOL +/-	Amplificador	Controla el volumen.

*Automatic Music Sensor: sensor automático de canciones

ADVERTÊNCIA

Para evitar o risco de incêndio ou de choque eléctrico, não exponha o aparelho à chuva nem à humidade.

Para evitar descargas eléctricas, não abra o aparelho. Solicite assistência somente a técnicos especializados.

Não instale o aparelho num espaço fechado, como por exemplo, uma estante ou um armário.

Precauções

Acerca da segurança

- Não desmonte o aparelho, pois isso pode resultar em choques eléctricos. Solicite assistência técnica somente a pessoal qualificado.
- Se algum objecto sólido ou líquido penetrar neste aparelho, desligue-o da corrente e submeta-o a uma averiguação técnica por pessoal qualificado antes de voltar a utilizá-lo.

Acerca das fontes de alimentação

- Antes de operar este amplificador, verifique se a voltagem de funcionamento do mesmo é idêntica à tensão da rede eléctrica local. A voltagem de funcionamento está indicada na placa de identificação na parte posterior do amplificador.
- Caso não vá utilizar o amplificador por um longo período, assegure-se de o desligar da tomada de corrente. Para desligar o cabo de alimentação CA (fio principal), puxe-o pela ficha, nunca pelo fio.
- A troca do cabo de alimentação CA deverá ser executada somente por serviços técnicos qualificados.

Acerca da instalação

- Instale o amplificador num local com ventilação adequada, a fim de evitar o seu sobreaquecimento interno e prolongar a vida útil do aparelho.
- Não coloque o amplificador nas proximidades de fontes de calor ou em locais sujeitos à luz solar directa, poeira excessiva ou choques mecânicos.
- Não coloque sobre a superfície superior do aparelho nada que possa bloquear os orifícios de ventilação e causar mau funcionamento.

Acerca da operação

Antes de ligar outros equipamentos ao amplificador, certifique-se de desligar o seu interruptor de alimentação e a sua tomada da corrente.

Acerca da limpeza do amplificador

Limpe a superfície externa, o painel e os controlos com um pano macio levemente humedecido com uma solução de detergente suave. Não utilize nenhum tipo de escova abrasiva, pós saponáceo ou solvente, tais como álcool ou benzina.

Acerca da prevenção da microfonia

Proceda da seguinte maneira:

- reduza o volume;
- mantenha o gira-discos o mais distante possível dos altifalantes;
- coloque isolantes áudio, disponíveis no comércio, na base do gira-discos;
- mantenha o microfone distante dos altifalantes durante a sua utilização.

Para uma maior protecção contra a microfonia, coloque os altifalantes ou o gira-discos no alto de uma prancha de madeira pesada ou uma laje de cimento.

Caso surja alguma dúvida ou problema concernente a este amplificador, consulte o seu agente Sony mais próximo.

Bem-vindo!

O nosso muito obrigado pela aquisição do Amplificador Stereo Integrado da Sony. Antes de utilizar o amplificador, leia atentamente este manual e guarde-o para futuras consultas.

Acerca deste manual

As instruções neste manual destinam-se aos modelos TA-FB920R, FB820R, e FB720R. Verifique o número do seu modelo no painel posterior do seu amplificador. Neste manual, o TA-FB920R é o modelo utilizado para propósitos de ilustração, salvo quando expresso o contrário. Quaisquer diferenças de operação estão claramente apontadas no texto, por exemplo com a indicação “somente no TA-FB920R”.

Convenções

- As instruções neste manual descrevem os controlos no amplificador. Quanto a detalhes sobre o controlo dos botões no telecomando, consulte “Descrição dos botões do telecomando” na contra-capla.
- O seguinte símbolo é utilizado neste manual:



Indica informações e conselhos úteis para tornar a operação mais fácil.

Índice

Preparativos iniciais

- Introdução às ligações 4
- Ligações dos componentes áudio 4
- Ligações do sistema de altifalantes 5
- Ligação do cabo de alimentação 6

Audição de música 7

Gravação 9

Informações adicionais


- Resolução de problemas 10
- Especificações 10
- Descrição do painel posterior Contra-capla
- Descrição dos botões de telecomando Contra-capla

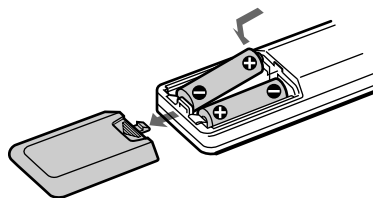
Desempacotamento

Certifique-se de ter recebido todos os itens fornecidos:

- Telecomando (remote) (1) RM-S316
- Pilhas Sony R6 (tamanho AA) (2)

Inserção das pilhas no telecomando

Insira duas pilhas R6 (tamanho AA), observando a correspondência dos pólos + e - das pilhas com as marcas no interior do compartimento. Para utilizar o telecomando, aponte-o para o sensor de telecomando  no amplificador.



Quando substituir as pilhas

Sob condições normais de utilização, as pilhas devem durar cerca de seis meses. Quando o telecomando já não conseguir controlar o amplificador, substitua ambas as pilhas.

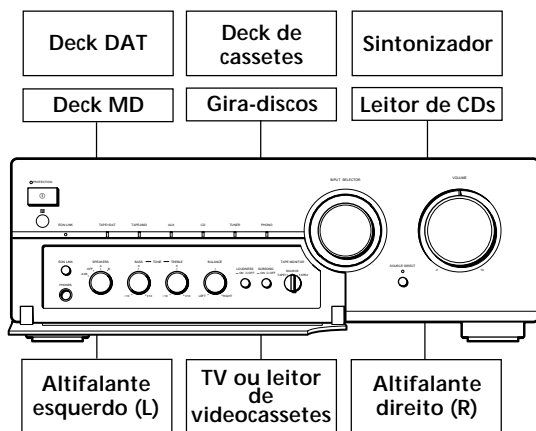
Notas

- Não deixe o telecomando nas proximidades de locais extremamente quentes ou húmidos.
- Não deixe cair nenhum objecto estranho no interior do telecomando, particularmente durante a substituição das pilhas.
- Não exponha o sensor de telecomando à luz directa ou a fontes de iluminação. Caso contrário, poderá causar algum mau funcionamento.
- Quando não for utilizar o telecomando por um período prolongado, remova as pilhas a fim de evitar possíveis avarias decorrentes de esvaziamento e corrosão.

Introdução às ligações

Este amplificador possibilita-lhe ligar e controlar os seguintes componentes áudio. Execute o procedimento de ligação indicado para o componente que deseja conectar.

Para conhecer a localização e o nome das tomadas, consulte “Descrição do painel posterior” na contra-capa.



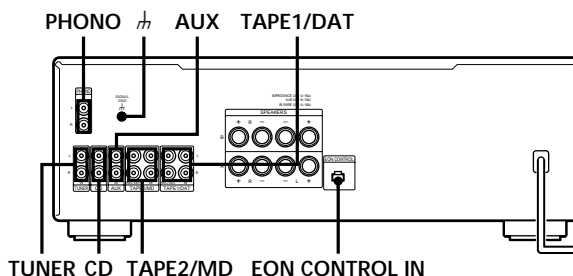
Medidas preliminares

- Desligue a alimentação de todos os equipamentos antes de efectuar qualquer ligação.
- Não ligue os cabos de alimentação CA dos vários equipamentos componentes até que todas as ligações tenham sido completadas.
- Utilize os cabos de ligação áudio fornecidos com cada componente para a ligação ao amplificador. Adquira e utilize cabos opcionais disponíveis no comércio, conforme a necessidade.
- Certifique-se de efectuar as ligações firmemente para evitar zumbidos e interferências.
- Ao ligar um cabo de ligação áudio, assegure-se de fazer corresponder os conectores R (direito) e L (esquerdo) do amplificador com os conectores R e L dos outros componentes.

Ligações dos componentes áudio

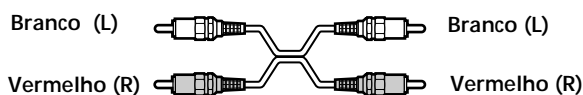
Descrição geral

Descubra aqui como ligar os seus componentes áudio ao amplificador.



Quais os cabos necessários?

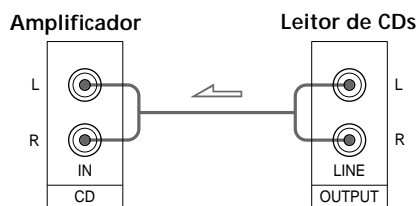
Cabos de ligação áudio (venda avulsa) (2 para cada deck de cassetes, deck DAT ou deck de MiniDisc; 1 para os outros componentes)



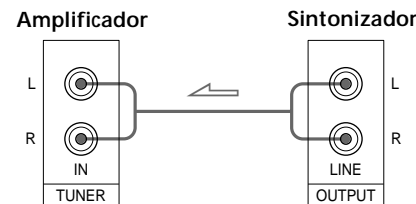
Ligações

A seta \Rightarrow indica o fluxo do sinal.

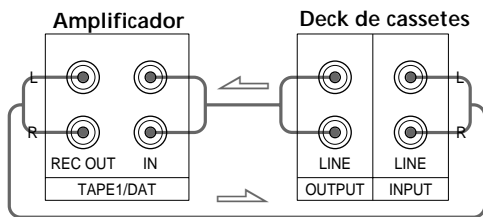
Leitor de CDs



Sintonizador



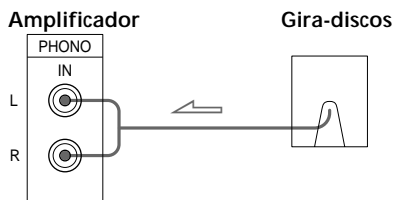
Deck de cassetes, deck DAT ou deck de MiniDisc



Utilize a configuração acima para ligar as tomadas OUTPUT e INPUT de:

- um deck de cassetes ou deck DAT às tomadas TAPE1/DAT
- um deck de cassetes ou deck de MiniDisc às tomadas TAPE2/MD

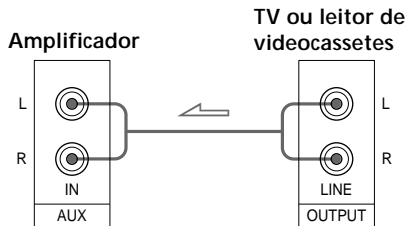
Gira-discos



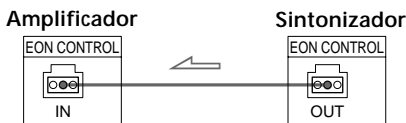
Nota

Para evitar zumbidos, ligue o fio terra ao terminal SIGNAL GND \neq no amplificador.

TV ou leitor de videocassetes



EON CONTROL

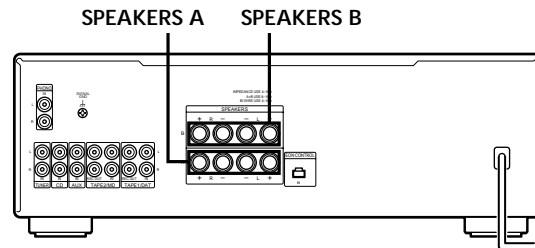


Se o seu sintonizador é equipado com terminal EON CONTROL OUT, ligue este ao terminal EON CONTROL IN no amplificador para poder utilizar a função EON (Enhanced Other Networks) do RDS (Radio Data System) (consulte a página 8).

Ligações do sistema de altifalantes

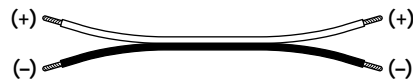
Descrição geral

Descubra aqui como ligar os altifalantes ao amplificador. Pode ligar dois pares de altifalantes, SPEAKERS A e B.



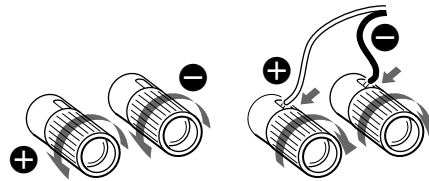
Quais os cabos necessários?

Cabo de altifalante (venda avulsa) (1 para cada altifalante)



Torça cerca de 15 mm das extremidades descascadas do cabo. Certifique-se de fazer corresponder o cabo de altifalante com o terminal apropriado nos componentes: + com + e - com -. Caso os cabos sejam invertidos, o som sairá distorcido e com perda de graves.

Ligações



Ligação a altifalantes com sistema de duplo-fio

Visto que os dois pares de terminais de altifalantes no seu amplificador, SPEAKERS A e B, proporcionam saída simultânea pelos altifalantes, pode utilizá-los para ligar um sistema de altifalantes de duplo-fio. Para accionar ambos sistemas de altifalantes simultaneamente, ajuste a A+B.

Para seleccionar o sistema de altifalantes A ou B

Ajuste SPEAKERS a A ou B. Para accionar ambos sistemas de altifalantes simultaneamente, ajuste a A+B.

Nota

Utilize altifalantes com uma impedância nominal de 4 a 16 ohms. Caso ligue simultaneamente dois sistemas de altifalantes, utilize altifalantes com uma impedância nominal de 8 a 16 ohms.

Ligação do cabo de alimentação

Ligação do cabo de alimentação CA

Ligue os cabos de alimentação CA deste amplificador e dos vários componentes áudio/vídeo a uma tomada de corrente.



Pode fornecer energia a outros componentes através das tomadas AC OUTLET no amplificador (exceto no modelo do R.U.)

Ligando outros componentes áudio às tomadas AC OUTLET no amplificador, pode fornecer energia aos componentes ligados através do amplificador. Deste modo, pode ligar/desligar todos os componentes ao ligar/desligar o amplificador.

Atenção

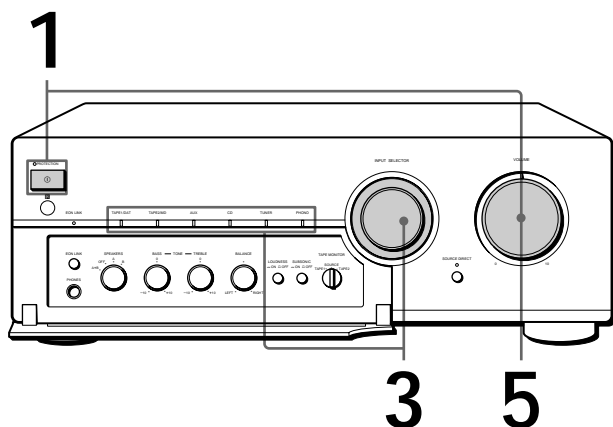
Assegure-se de que o consumo total de energia de todos os componentes ligados às tomadas do amplificador não exceda 100 watts. Não ligue a estas tomadas electrodomésticos como ferro de engomar roupa, ventoinha eléctrica, TV ou outros aparelhos de alto consumo.

Nota

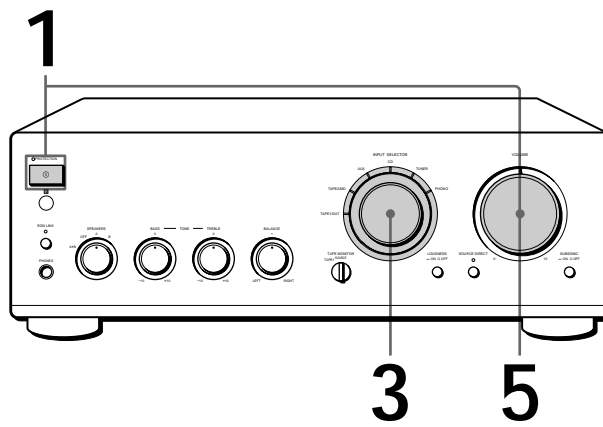
Separe o cabo de alimentação CA, os cabos de ligação áudio e os fios de altifalante. Ruídos ou deterioração sonora podem ocorrer, caso os cabos de ligação áudio fiquem em contacto com o cabo de alimentação CA, ou caso o cabo de alimentação CA ou os fios de altifalante sejam dispostos nas proximidades da antena de quadro ou do condutor da antena do sintonizador.

Audição de música

TA-FB920R



TA-FB-820R/FB720R



💡 Para a audição com os auscultadores
Ligue os auscultadores a PHONES e ajuste SPEAKERS para OFF.

💡 Para a audição directa do sinal de entrada
Pressione o botão SOURCE DIRECT para que a luz do indicador se ilumine. Visto que os circuitos dos controlos TONE e BALANCE e dos botões LOUDNESS e SUBSONIC são desviados, não é possível ajustar os graves, os agudos ou o balanço durante a audição directa de uma fonte.

Nota
Evite saídas elevadas pelos altifalantes que tornem o som distorcido. Distorções de altas frequências podem avariar os tweeters.

1 Pressione o botão ① para ligar o amplificador e gire completamente para a esquerda o controlo VOLUME para evitar avarias nos altifalantes devidas a uma saída excessiva. O indicador PROTECTION ilumina-se e em seguida apaga-se.

2 Ligue a fonte sonora que deseja escutar.

3 Ajuste o INPUT SELECTOR à respectiva fonte sonora. O indicador da fonte sonora seleccionada ilumina-se.

Para escutar	Ajuste o INPUT SELECTOR a
discos analógicos	PHONO
transmissões do rádio	TUNER
CDs	CD
a fonte ligada a AUX	AUX
a fonte ligada:	
— a TAPE1/DAT	TAPE1/DAT
— a TAPE2/MD	TAPE2/MD

4 Accione a fonte sonora.

5 Ajuste o volume girando o controlo VOLUME.

Para	Pressione ou gire
ajustar os graves	BASS
ajustar os agudos	TREBLE
ajustar o balanço	BALANCE
reforçar graves e agudos em baixo volume de audição	LOUDNESS
reduzir interferência subsónica causada por discos analógicos com distorção, etc.	SUBSONIC



O que significa EON?

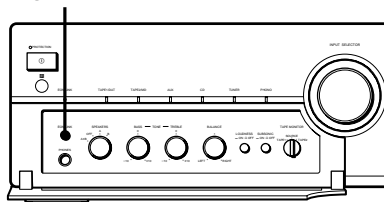
Um serviço RDS conveniente é a função EON (outras redes transmissoras). Esta função possibilita que o aparelho sintonize automaticamente um tipo de programa de sua preferência, assim que este tiver início na sua área de recepção de transmissões.

Para a recepção de transmissões EON (Enhanced Other Networks / outras redes transmissoras)

Caso o seu amplificador seja ligado a um sintonizador Sony com o sistema EON CONTROL, o amplificador comutará para alguma transmissão EON, que seja recebida em sua localidade. Uma vez terminada a transmissão, o amplificador comutará para a última função seleccionada.

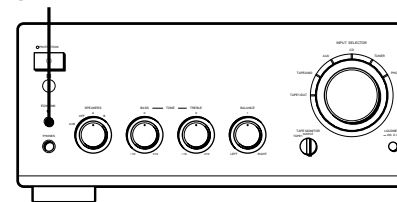
TA-FB920R

EON LINK



TA-FB820R/FB720R

EON LINK



- 1 Assegure-se de que o amplificador e o sintonizador estejam ligados através dos terminais EON CONTROL (consulte a página 5).
- 2 Pressione EON LINK para que o indicador se ilumine. Sempre que uma transmissão EON tiver início na frequência de rádio a que estiver ajustado o sintonizador, a mesma será recebida.

Para cancelar a recepção EON

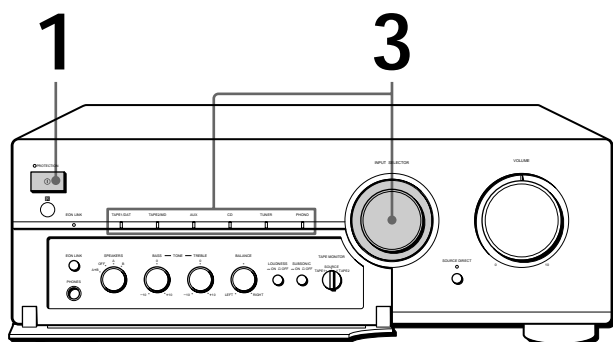
Pressione EON LINK novamente para que o indicador se apague.

Notas

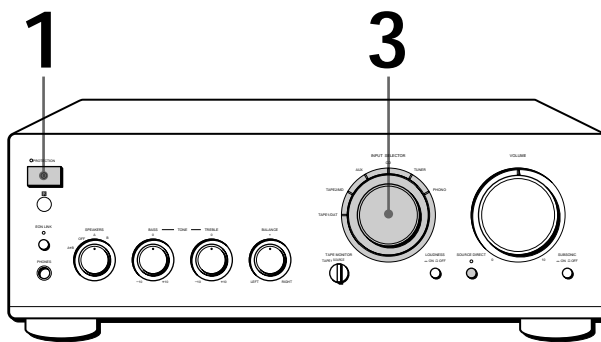
- Caso seleccione uma outra fonte durante a audição de uma transmissão EON, a recepção EON termina. Entretanto, enquanto o indicador EON LINK permanecer iluminado, será possível receber automaticamente as transmissões EON.
- Certifique-se de cancelar a recepção EON antes de iniciar alguma gravação, visto que as transmissões EON podem interferir com a gravação.
- Se activar a função TAPE MONITOR (consulte a página 9) enquanto estiver o indicador EON LINK iluminado, o indicador apagar-se-á e tornar-se-á impossível receber transmissões EON. Caso isto aconteça, desactive a função TAPE MONITOR, pois deste modo o indicador acender-se-á novamente.


Gravação


TA-FB920R



TA-FB-820R/FB720R



 Pode gravar a mesma fonte em até dois componentes de gravação simultaneamente

 Pode monitorizar o som em gravação (função TAPE MONITOR)
É possível monitorizar o som se o deck de cassetes usado na gravação tiver cabeças de gravação e reprodução independentes. Para monitorizar o som, ajuste TAPE MONITOR a TAPE1 ou TAPE 2. Note que nos modelos TA-FB820R e TA-FB720R, pode apenas monitorizar o som em gravação através das tomadas TAPE1/DAT.

1 Pressione o botão ① para ligar o amplificador.

2 Ligue a fonte sonora que deseja gravar.

3 Gire o INPUT SELECTOR para seleccionar a fonte sonora que deseja gravar.

O indicador da fonte sonora ilumina-se.

Para gravar	Ajuste o INPUT SELECTOR a
discos analógicos	PHONO
transmissões do rádio	TUNER
CDs	CD
a fonte ligada a AUX	AUX
a fonte ligada	
— a TAPE1/DAT	TAPE1/DAT
— a TAPE2/MD	TAPE2/MD

4 Prepare o componente de gravação e inicie então a gravação.

5 Inicie a reprodução da fonte sonora.

Resolução de problemas

Caso surja alguma das dificuldades descritas a seguir durante o funcionamento do seu amplificador, utilize este guia de resolução de problemas como auxílio para encontrar uma solução. Se o problema persistir, consulte o seu agente Sony mais próximo.

Ausência de som

- ➔ Ligue firmemente os cabos de ligação áudio.
- ➔ Ligue o amplificador e outros componentes áudio correctamente.
- ➔ Ajuste o INPUT SELECTOR à fonte sonora apropriada.

Ausência de som de um dos canais ou saída desbalanceada dos altifalantes

- ➔ Gire o controlo BALANCE para ajustar o balanço.
- ➔ Verifique as ligações dos altifalantes e de entrada do canal silencioso.

Graves ou agudos fracos

- ➔ Ajuste os controlos TONE.
- ➔ Altere a posição dos altifalantes ou as condições do recinto para eliminar obstruções no trajecto do som.

Distorções do som

- ➔ Sinal de entrada seleccionado inapropriadamente.
- ➔ Capacidade de entrada insuficiente dos altifalantes. Reduza o volume.

Perda dos graves ou ambiguidade no posicionamento virtual dos instrumentos

- ➔ Os cabos de altifalante e a polaridade dos terminais estão invertidos. Volte a ligar os cabos com a polaridade correcta.

Zumbidos ou interferências

- ➔ Efectue a ligação à terra do gira-discos (consulte a página 5).
- ➔ Ligue os cabos de ligação áudio firmemente.
- ➔ O amplificador está a captar interferências de um televisor. Aumente a distância entre o televisor e o amplificador, ou desligue o televisor.

O telecomando não funciona

- ➔ Remova quaisquer obstáculos existentes entre o sensor de telecomando no amplificador e o telecomando.
- ➔ Aponte o telecomando para o sensor de telecomando na frente do amplificador.
- ➔ O telecomando está distante demais do amplificador. Aproxime-o do amplificador.
- ➔ Substitua as pilhas no telecomando.

O indicador PROTECTION ilumina-se e/ou há perda repentina de áudio

- ➔ Verifique se ocorreu um curto-circuito. Desligue o amplificador e examine os componentes ligados e os altifalantes.

Especificações

Secção do amplificador

Potência de saída DIN

TA-FB920R (Europa continental):
120 W + 120 W (4 ohms a 1 kHz)
80 W + 80 W (8 ohms a 1 kHz)
TA-FB920R (R.U.):
100 W + 100 W (4 ohms a 1 kHz)
65 W + 65 W (8 ohms a 1 kHz)
TA-FB820R: 100 W + 100 W (4 ohms a 1 kHz)
65 W + 65 W (8 ohms a 1 kHz)
TA-FB720R: 90 W + 90 W (4 ohms a 1 kHz)
60 W + 60 W (8 ohms a 1 kHz)

Distorção harmónica total

Inferior a 0,008% (a 10 W de saída)

Resposta em frequência

PHONO (20Hz - 20kHz): Cura de equalização RIAA
±0,5 dB
TUNER, CD, AUX, TAPE1/DAT, TAPE2/MD:
7 Hz - 100 kHz ±0,5 dB

Relação sinal/ruído (rede A)

PHONO
TA-FB920R/FB820R: 94 dB
TA-FB720R: 90 dB
TUNER, CD, AUX, TAPE1/DAT, TAPE2/MD:
105 dB

Voltagem/impedância de saída

REC OUT 1, 2: 150mV, 1 kohm
PHONES: 10 mW (a 8 ohms)

Impedância dos altifalantes

4 - 16 ohms, 8 - 16 ohms (SPEAKERS A+B)

Factor de amortecimento

100 (8 ohms, 1 kHz)

Geral

Sistema

Amplificador de potência: Amplificador de potência SEPP OCL complementar puro com todos os estágios directamente acoplados
Pré-amplificador: Amplificador equalizador de baixo ruído

Alimentação

230 V CA, 50/60 Hz

Consumo

TA-FB920R: 210 W
TA-FB820R: 180 W
TA-FB720R: 170 W

Dimensões (approx.) (l/a/p)

TA-FB920R: 430 × 150 × 410 mm
TA-FB820R/FB720R: 430 × 150 × 405 mm
incluindo controlos e partes salientes

Peso (aprox.)

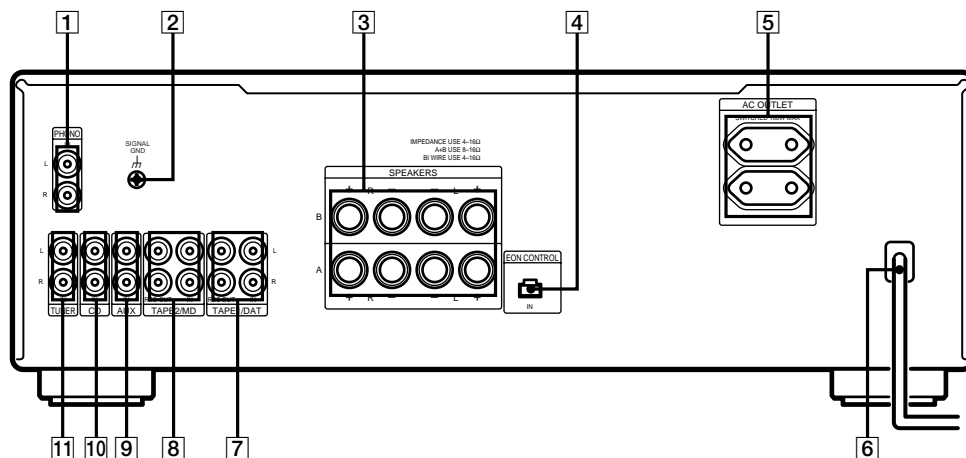
TA-FB920R: 10,3 kg
TA-FB820R: 9,3 kg
TA-FB720R: 8,6 kg

Acessórios fornecidos

Consulte a página 3.

Design e especificações sujeitos a alterações sem aviso prévio.

Descrição do painel posterior



- 1 PHONO do gira-discos
- 2 h (SIGNAL GND)
- 3 SPEAKERS A/B dos altifalantes A/B
- 4 EON CONTROL IN terminal da função EON
- 5 AC OUTLET tomadas CA (exceto no TA-FB920R (modelo do R.U.))

- 6 Cabo de alimentação CA
- 7 TAPE1/DAT do deck de cassetes 1/deck DAT
- 8 TAPE2/MD do deck de cassetes 2/deck de MiniDisc
- 9 AUX da fonte auxiliar
- 10 CD do leitor de CDs
- 11 TUNER do sintonizador

Descrição dos botões do telecomando

Pode utilizar o telecomando para controlar outros componentes áudio Sony que tenham a marca (sensor de telecomando).

Botão(ões)	Para a operação do	Função
FUNCTION		
CD	Amplificador	Selecciona o sinal de entrada das tomadas CD
TUNER	Amplificador	Selecciona o sinal de entrada das tomadas TUNER
PHONO	Amplificador	Selecciona o sinal de entrada das tomadas PHONO
TAPE1/DAT	Amplificador	Selecciona o sinal de entrada das tomadas TAPE1/DAT
TAPE2/MD	Amplificador	Selecciona o sinal de entrada das tomadas TAPE2/MD
AUX	Amplificador	Selecciona o sinal de entrada das tomadas AUX
TUNER		
PRESET +/-	Sintonizador	Pesquisa e selecciona estações programadas

Botão(ões)	Para a operação do	Função
CD		
	Leitor de CDs	Inicia a reprodução
	Leitor de CDs	Interrompe a reprodução
	Leitor de CDs	Termina a reprodução
	Leitor de CDs	Localiza faixas (AMS*)
D.SKIP	Leitor de CDs	Troca de disco (para leitor de CDs equipado com "changer" para múltiplos discos)
MD		
	Deck de MiniDisc	Inicia a reprodução
	Deck de MiniDisc	Interrompe a reprodução
	Deck de MiniDisc	Termina a reprodução
	Deck de MiniDisc	Localiza faixas
TAPE DECK A/B		
	Deck de cassetes	Inicia a reprodução A ou B
	Deck de cassetes	Termina todas as operações na fita A ou B
	Deck de cassetes	Avança rapidamente ou rebobina a fita A ou B
VOL +/-	Amplifier	Ajusta o volume

*Automatic Music Sensor / sensor automático de música