

# *Personal MiniDisc System*

---

Operating Instructions page 2<sup>GB</sup>

**GB**

Manual de instrucciones página 2<sup>ES</sup>

**ES**



*ZS-M7*

---

## Warning

To prevent fire or shock hazard, do not expose the player to rain or moisture.

To avoid electrical shock, do not open the cabinet. Refer servicing to qualified personnel only.

## Information





This Compact Disc/MiniDisc player is classified as a CLASS 1 LASER product. The CLASS 1 LASER PRODUCT label is located at the rear.

## Warning

Do not install the appliance in a confined space, such as a bookcase or built-in cabinet.

## Notice for customers in the United Kingdom

A moulded plug complying with BS 1363 is fitted to this equipment for your safety and convenience.

Should the fuse in the plug supplied need to be replaced, same rating fuse approved by ASTA or BSI to BS 1362, (i.e. marked with  or  mark) must be used.

If the plug supplied with this equipment has a detachable fuse cover, be sure to attach the fuse cover after you change the fuse. Never use the plug without the fuse cover. If you should lose the fuse cover, please contact your nearest Sony service station.

## CAUTION

When you use this player for the first time, or when you have not used it for a long time, leave it connected to a wall outlet for about one hour to charge the built-in backup battery for the clock, timer, preset radio stations, etc. You can use the player during charging.

When you disconnect the AC power cord after charging, be sure to turn off the power of the player first. Once fully charged, the back up battery will last for about 30 minutes without being connected to the AC power source.

If the stored data are erased, reenter them when you use the player again.

# Table of contents

## Basic Operations

- 4 Playing a CD
- 6 Recording a whole CD (Synchronized recording)
- 8 Playing an MD
- 10 Listening to the radio

## The CD Player•The MD Player

- 12 Using the display
- 15 Locating a specific track
- 16 Playing tracks repeatedly (Repeat Play)
- 17 Creating your own program (Program Play)
- 19 Playing tracks in random order (Shuffle Play)

## The Radio

- 20 Presetting radio stations
- 22 Playing preset radio stations

## Recording

- 23 Recording the track you are listening to (Synchronized recording of a single track – REC IT Function)
- 24 Recording the tracks you programmed (Synchronized recording of the tracks you programmed)
- 26 Recording from the radio or a CD
- 28 Recording on a recorded MD

## Editing recorded tracks on the MD

- 29 Before editing
- 31 Erasing recordings (Erase Function)
- 34 Dividing recorded tracks (Divide Function)
- 36 Combining recorded tracks (Combine Function)
- 38 Moving recorded tracks (Move Function)
- 39 Labeling recordings (Name Function)

## The Timer

- 42 Setting the clock
- 44 Waking up to music
- 46 Timer-recording radio programs
- 48 Falling asleep to music

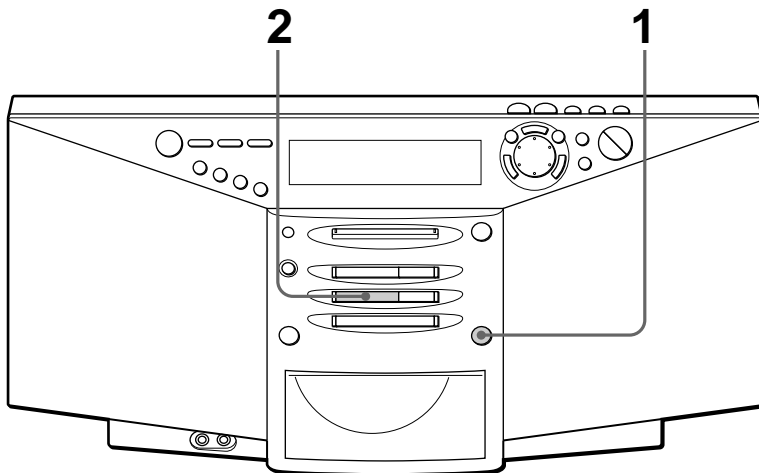
## Setting Up

- 49 Preparing the system
- 52 Connecting optional components
- 54 Adjusting the audio emphasis

## Additional Information

- 55 Precautions
- 57 System limitations of the MD
- 59 Getting to know the MD
- 61 Troubleshooting
- 64 Error messages
- 65 Specifications
- 66 Index

# Playing a CD




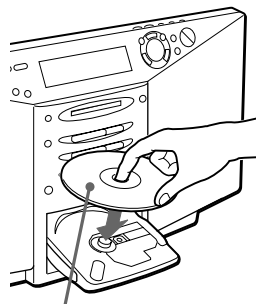
Connect the mains lead (see page 49).

**1**

CD OPEN/CLOSE



Press  CD OPEN/CLOSE (direct power-on) and place the CD on the CD tray until it clicks into place.



With the label side up

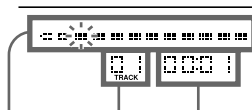
**2**



Press CD .

The CD tray closes and the player plays all the tracks once.

Display

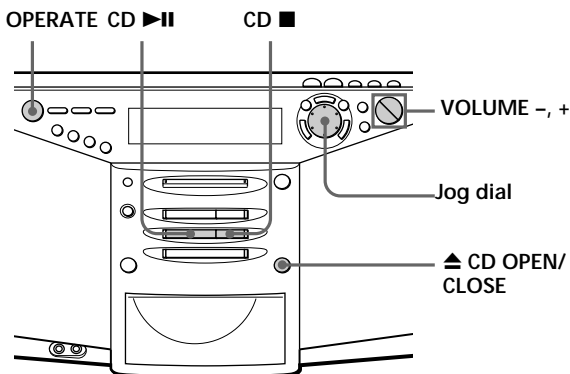


Position pointer

Track number

Playing time

## Use these buttons for additional operations

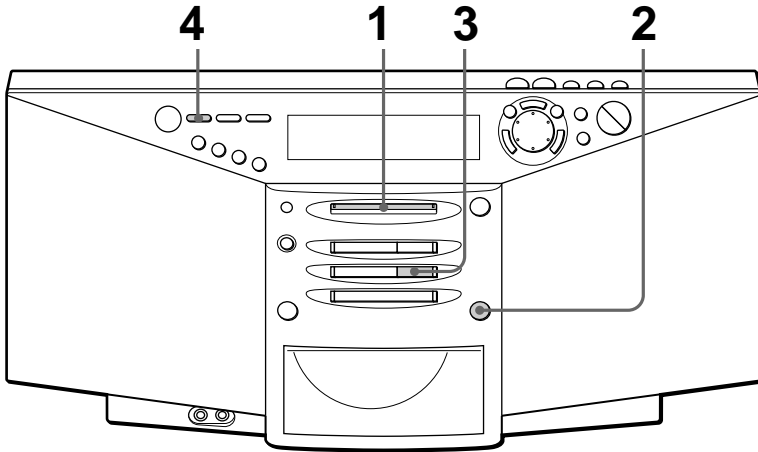


## Tips

- Next time you want to listen to a CD, just press CD ►||. The player turns on automatically and starts playing the CD.
- **What is the position pointer in the display?**  
It shows about where on the CD track the player is playing.

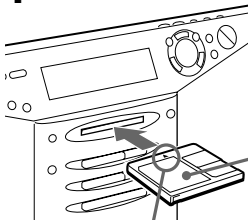
To	Do this
adjust the volume	Press VOLUME +, - (VOL +, - on the remote).
stop playback	Press CD ■.
pause playback	Press CD ►   (CD    on the remote). Press the button again to resume play after pause.
go to the next track	Turn the jog dial clockwise. (On the remote, press ► .)
go back to the previous track	Turn the jog dial counterclockwise. (On the remote, press  ◄.)
remove the CD	Press ▲ CD OPEN/CLOSE.
turn on/off the player	Press OPERATE.

# Recording a whole CD (Synchronized recording)



Connect the mains lead (see page 49).

**1**

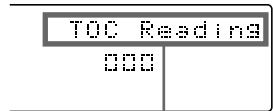


Insert in the direction of the arrow

Insert a recordable MD (direct power-on).

With the label side up

Display



After "TOC Reading" is displayed, the disc name will be displayed if it is labeled.

**2**

CD OPEN/CLOSE



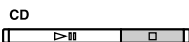
Press ▲ CD OPEN/CLOSE and place the CD on the CD tray until it clicks into place.

Press ▲ CD OPEN/CLOSE again to close the CD tray.



With the label side up

**3**



Press CD ■.

# 4

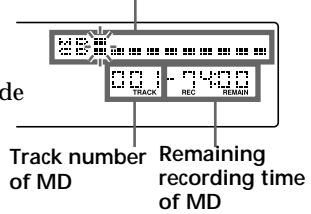


Press DISC ALL.


The player starts recording automatically.

If the MD has any previous recording, recording will be made from the last recorded position.

Position pointer (showing playing position on the CD and recording position on the MD)



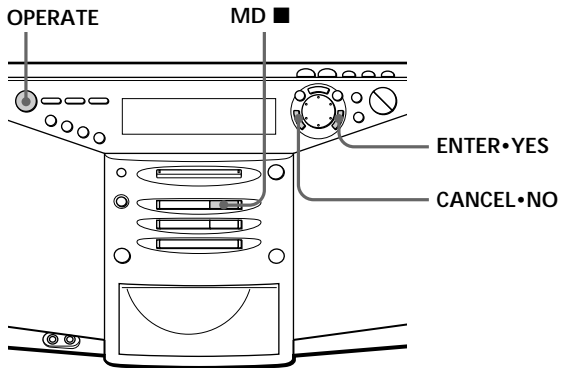
## Notes

-  After you stop recording, do not disconnect the AC power cord or move the player while "TOC EDIT" is flashing in the display. If you do so, recording may not be done properly.
- When you record a whole CD, you cannot pause recording.

## Tips

- Adjusting the volume or the audio emphasis (page 54) will not affect the recording level. Keep the volume at a moderate level so as to prevent the sound from skipping.
- To record over the previous recording, see page 28.
- Once the clock is set, the recording date and time are stamped automatically (page 42).

## Use these buttons for additional operations



To	Press
stop recording	MD ■ or CD ■
turn on/off the player	OPERATE

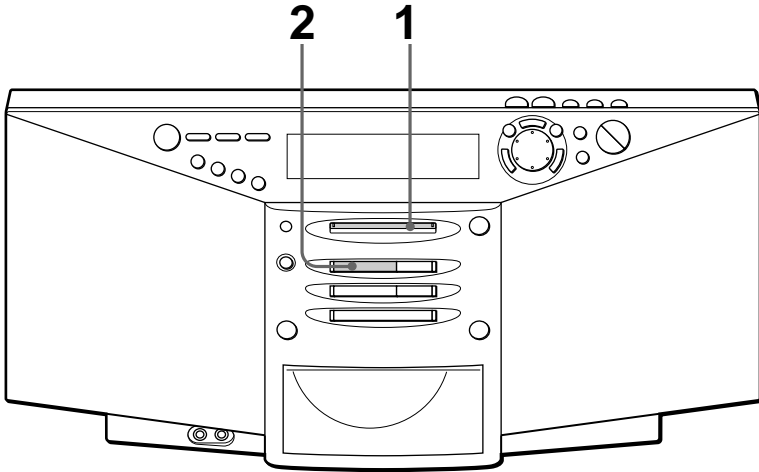
### If "CD>MD OK?" alternates with time display

There is not enough space on the MD to record the whole CD.

If it is all right to record as much as possible and cancel recording of some tracks, press ENTER•YES. To stop recording, press CANCEL•NO.

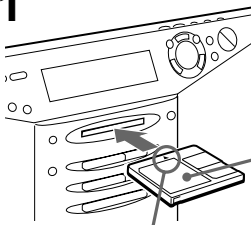
If any other messages are displayed, see page 64.

# Playing an MD



Connect the mains lead (see page 49).

**1**



Insert in the direction of the arrow

Insert the MD (direct power-on).

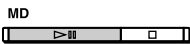
With the label side up

Display



After "TOC Reading" is displayed, the disc name will be displayed if it is labeled.

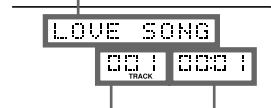
**2**



Press MD ►||.

The player plays all the tracks once.

Track name is displayed if it is labeled.

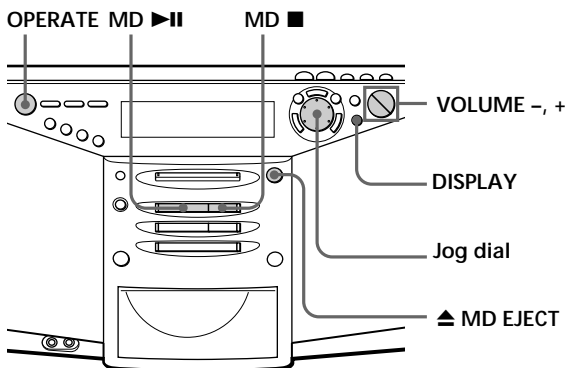


Track number

Playing time



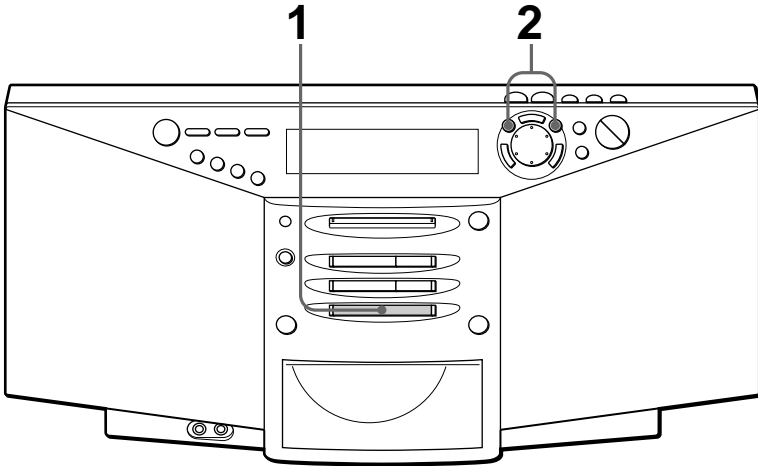
## Use these buttons for additional operations

**Tip**

Next time you want to listen to a MD, just press MD ►||. The player turns on automatically and starts playing the MD.

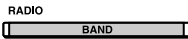
To	Do this
adjust the volume	Press VOLUME +, - (VOL +, - on the remote).
stop playback	Press MD ■.
pause playback	Press MD ►   (MD    on the remote). Press the button again to resume play after pause.
go to the next track	Turn the jog dial clockwise. (On the remote, press ►►.)
go back to the previous track	Turn the jog dial counterclockwise. (On the remote, press ◀◀.)
remove the MD	Press ▲ MD EJECT.
turn on/off the player	Press OPERATE.
check the playing position in the display using the position pointer	Press DISPLAY.

# Listening to the radio



Connect the mains lead (see page 49).

**1**



Press **BAND** until the band you want appears in the display (direct power-on).

Display



"FM", "MW" or "LW" appears

**2**



Hold down **TUNE +** or **TUNE -** until the frequency digits begin to change in the display.

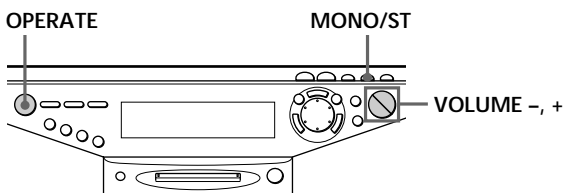
The player automatically scans the radio frequencies and stops when it finds a clear station.

If you can't tune in a station, press **TUNE +** or **TUNE -** repeatedly until you tune in the station you want.



Indicates an FM stereo broadcast

### Use these buttons for additional operations



#### Tips

- If the FM broadcast is noisy, press MONO/ST (MODE on the remote) until "MONO" appears in the display and radio will play in monaural.
- Next time you want to listen to the radio, just press BAND. The player turns on automatically and starts playing the previous station.

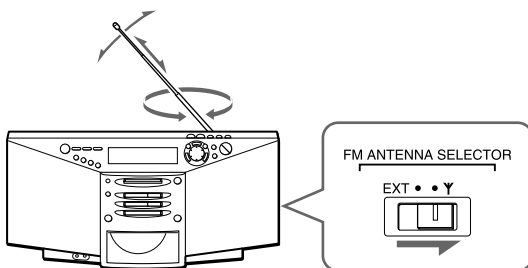
To	Press
adjust the volume	VOLUME +, - (VOL +, - on the remote)
turn on/off the radio	OPERATE

### To improve broadcast reception

#### FM:

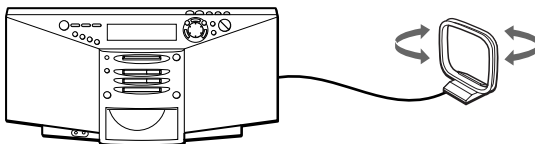
Set the FM ANTENNA SELECTOR at the rear of the player to "Y" (telescopic aerial).

Reorient the aerial for FM.



#### MW/LW:

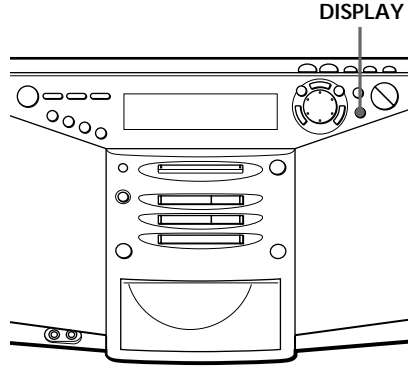
Keep the MW/LW loop aerial as far as possible from the player and reorient it.



If the broadcast is still noisy, connect the external aerial (page 50).

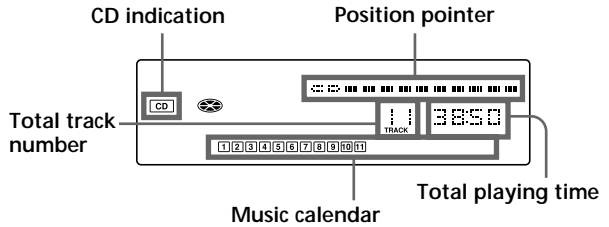
# Using the display

You can check information about the CD and MD using the display.



## During stop (CD)

The total track number and playing time are displayed.



If the CD has more than 20 tracks, "OVER 20" appears in the display.

## During play (CD)

The current track number and playing time are displayed. The track numbers in the music calendar disappear after they are played.

**Note**

During repeat play (page 16), program play (page 17) and shuffle play (page 19), the number of tracks left and remaining time on the CD will not be displayed.

**Tip**

The disc name is displayed only with the MDs that have been electronically labeled.

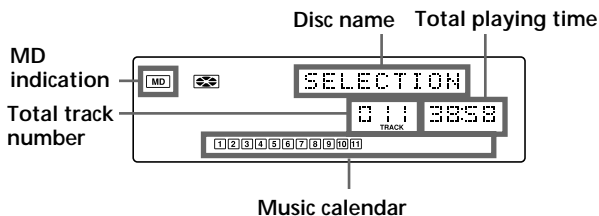
**To check the remaining time**

Press DISPLAY.

To display	Press DISPLAY
the current track number and remaining time on the current track	once
the number of tracks left and remaining time on the CD	twice
the current track number and playing time	three times

**During stop (MD)**

The total track number and playing time are displayed.



If the MD has more than 20 tracks, "OVER 20" appears in the display.

**To check the remaining recording time on the MD**

Press DISPLAY.

The position pointer also appears in the display.

continued

## Using the display (continued)

### Note

During repeat play (page 16), program play (page 17) and shuffle play (page 19), the number of tracks left and remaining time on the MD will not be displayed.

### During play (MD)

The current track number, playing time and the track name are displayed. The track numbers in the music calendar disappear after they are played.

To check the remaining time, recording date and time, etc.

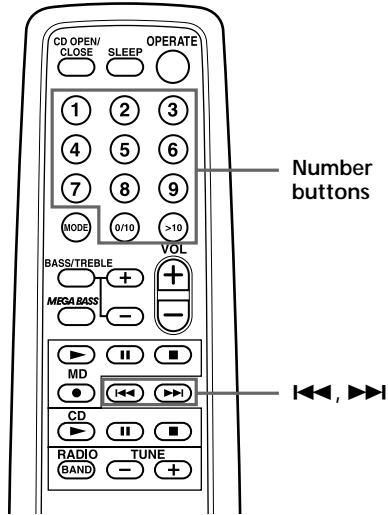
Press DISPLAY.

To display	Press DISPLAY
the current track number, remaining time on the current track and position pointer	once
the number of tracks left, remaining time on the MD and the disc name	twice
recording date and time*	three times
the current track number, playing time and the track name	four times

\* Once the clock is set, the recording date and time are stamped automatically (page 42).

# Locating a specific track

You can quickly locate any track on a CD or an MD using the number buttons. You can also find a specific point in a track while playing a CD or an MD.



## Note

You cannot locate a specific track if “REPEAT PGM”, “REPEAT SHUFFLE”, “PGM” or “SHUFFLE” is lit in the display. Turn off the indication by pressing ■.

## Tips

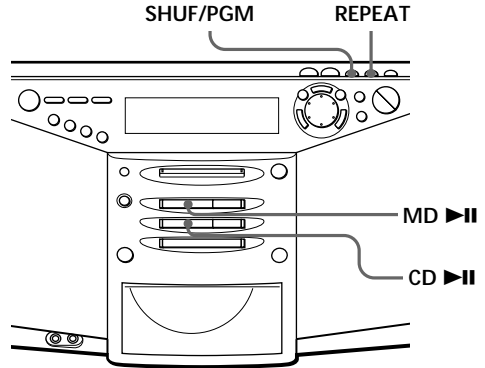
- To locate a track numbered over 10, press >10 first, then the corresponding number buttons.  
Example:  
To play the track number 23, press >10 first, then 2 and 3.  
To play the track number 10, you can use the 0/10 button as well as >10, 1 and 0.
- To select a track on an MD numbered 100 or more, press >10 twice, then the corresponding number buttons.

To locate	Press
a specific track directly	the number button of the track.
a point while listening to the sound	▶▶▶ (forward) or ◀◀◀ (backward) while playing and hold down until you find the point. (On the player, use ▶▶ or ◀◀.)
a point while observing the display	▶▶▶ (forward) or ◀◀◀ (backward) in pause and hold down until you find the point. (On the player, use ▶▶ or ◀◀.)

# Playing tracks repeatedly

## (Repeat Play)

You can play tracks repeatedly in normal, shuffle or program play modes (page 17).



### On the remote

- During play, press MODE repeatedly until “REPEAT 1” or “REPEAT” appears in the display. During play, you cannot select “REPEAT SHUFFLE” or “REPEAT PGM”.
- You can also select the repeat play during stop. Press MODE repeatedly until “REPEAT 1”, “REPEAT”, “REPEAT SHUFFLE” or “REPEAT PGM” appears in the display. Then, play the CD or the MD.

To repeat	Do this
a single track	<ol style="list-style-type: none"> <li>1 Play the track you want.</li> <li>2 Press REPEAT repeatedly until “REPEAT 1” appears in the display.</li> </ol>
all the tracks	<ol style="list-style-type: none"> <li>1 Start normal play.</li> <li>2 Press REPEAT repeatedly until “REPEAT” appears in the display.</li> </ol>
tracks in random order	<ol style="list-style-type: none"> <li>1 Start shuffle play (page 19).</li> <li>2 Press REPEAT repeatedly until “REPEAT SHUFFLE” appears in the display.</li> </ol>
programed tracks	<ol style="list-style-type: none"> <li>1 Start program play (page 17).</li> <li>2 Press REPEAT repeatedly until “REPEAT PGM” appears in the display.</li> </ol>

### To cancel Repeat Play

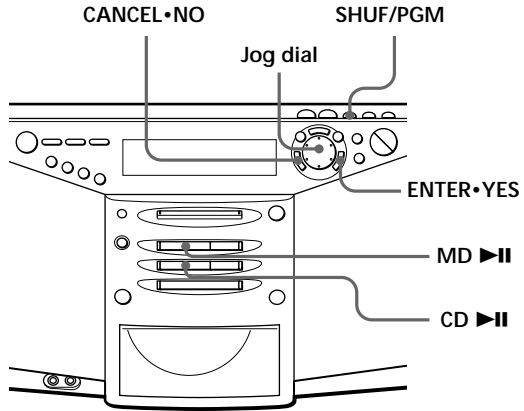
Stop play first. Then, press REPEAT until “REPEAT” disappears from the display.



# Creating your own program

## (Program Play)

You can arrange the playing order of up to 20 tracks on a CD or an MD.



### On the remote

Press MODE until "PGM" appears in the display, then press the number button to select the track.

### Tip

If you made a mistake, press CANCEL•NO and re-enter the track number by turning the jog dial and press ENTER•YES.

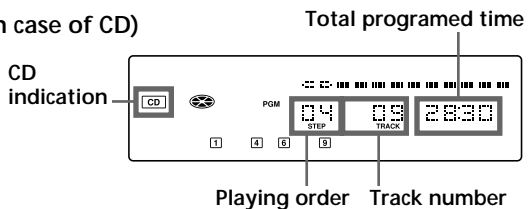
Before you begin, make sure that the CD or MD player is in stop mode.

- 1 Press SHUF/PGM until "PGM" appears in the display.
- 2 Turn the jog dial to select the track you want to program, and press ENTER•YES.

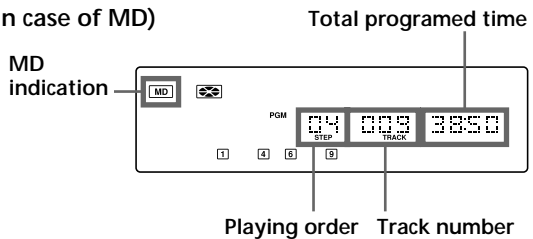
Repeat this step.

Programmed tracks appear in the music calendar.

(In case of CD)



(In case of MD)



- 3 Press CD >>II ( or MD >>II) to start program play.

continued

---

## Creating your own program (Program Play) (continued)

### Tips

- If the program play is finished, the program is saved. You can play the same program again by pressing ►II.
- If you open the CD tray, the program is erased.
- If you take out the MD, the program is erased.
- During play, total programed time cannot be displayed.

### To cancel Program Play

Stop play first. Then, press SHUF/PGM until “PGM” disappears from the display.

### To check the order of tracks before play

Before starting the program play, press ENTER•YES. “PGM Check” appears in the display. Every time you press ENTER•YES, the track number appears in the programed order.

### To change the current program

Change before starting the program play.

To	Do this
erase the last track in the program	<ol style="list-style-type: none"><li>1 Press CANCEL•NO. The track programed last is erased.</li><li>2 Re-enter the track numbers by turning the jog dial and pressing ENTER•YES.</li></ol>
change the whole program completely	<ol style="list-style-type: none"><li>1 Press ■ to erase the whole program.</li><li>2 Create a new program following the programing procedure.</li></ol>

# Playing tracks in random order

## (Shuffle Play)

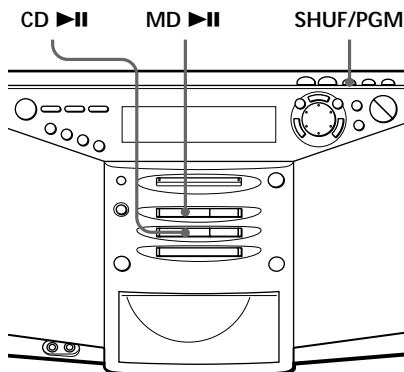
You can play tracks in random order.

### Tip

During shuffle play, you cannot select the previous track by turning the jog dial (or by pressing **◀◀** on the remote).

### On the remote

Press **MODE** until "SHUFFLE" appears in the display.



Before you begin, make sure that the CD or MD player is in stop mode.

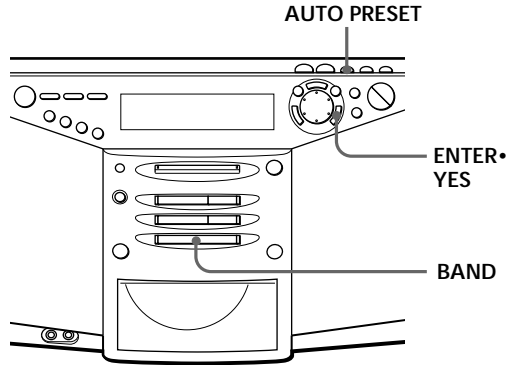
- 1** Press SHUF/PGM until "SHUFFLE" appears in the display.
- 2** Press CD ►|| (or MD ►||) to start shuffle play.

### To cancel Shuffle Play

Stop play first. Then, press SHUF/PGM until "SHUFFLE" disappears from the display.

# Presetting radio stations

You can store radio stations into the player's memory. You can preset up to 36 stations, 12 for each band in any order.



- 1 Press BAND until the band you want appears in the display.
- 2 Hold down AUTO PRESET until "AUTO PRESET" flashes in the display.

The stations are stored in memory from the lower frequencies (from the preset number 1, in numerical order) as long as the station has a signal strong enough.

When you've done presetting, the station stored in the preset number 1 will be tuned in automatically.

## On the remote

- 1 Press BAND until the band you want appears in the display.
- 2 Press TUNE + or - until you tune in the station you want.
- 3 Hold down the number button that you want to preset the new station on for 2 seconds.

To select the preset number 11 or 12, press >10 first, then press 1 or 2.

## If a station cannot be preset automatically

You need to preset a station with a weak signal manually. Also, when you want to replace preset stations with a new one, proceed as follows:

- 1 Press BAND until the band you want appears in the display.
- 2 Press TUNE + or - repeatedly until you tune in the station you want, and then, hold down ENTER•YES for 2 seconds.
- 3 Select the preset number you want to preset the new station on by turning the jog dial.
- 4 Press ENTER•YES.

The new station replaces the old one.

**To label the station**

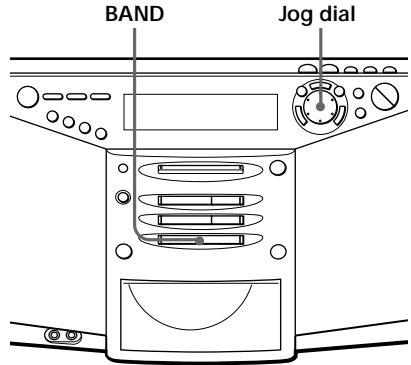
- 1 According to the procedure on page 22, tune in the station you want to label.
- 2 Press EDIT for 2 seconds.
- 3 Input the name of the station (up to 9 characters).  
For details , see steps 4 - 8 on pages 39 and 40.

To	Do this
move the cursor	Press $\leftarrow$ or $\rightarrow$ .
select the characters	Turn the jog dial.
erase the characters	Press DELETE.
insert the characters	Use INSERT.

- 4 Press ENTER • YES.

# Playing preset radio stations

Once you've preset the stations, use the jog dial on the player or the number buttons on the remote to tune in your favorite stations.



## On the remote

To display the preset number you want in step 2, use the number buttons.

To select the preset number 10:

Press 0/10.

To select the preset number 11 or 12:

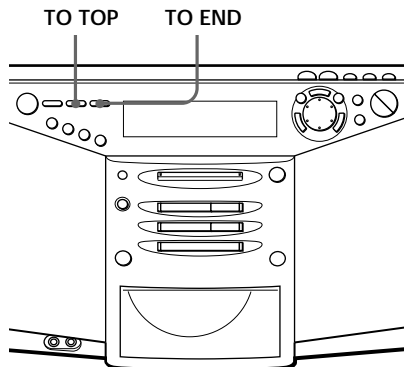
Press >10 first, then press 1 or 2.

- 1** Press BAND until the band you want appears in the display.
- 2** Turn the jog dial to display the preset number of the station you want.


# Recording the track you are listening to

(Synchronized recording of a single track – REC IT Function)

You can record the track you are listening to from its beginning using the TO TOP or TO END button.



## Notes

-  After you stop recording, do not disconnect the AC power cord or move the player while "TOC EDIT" is flashing in the display. If you do so, recording may not be done properly.
- If you turn up the volume too high, sound skipping may occur.

## Tips

- To record over the previous recording, see page 28.
- Once the clock is set, the recording date and time are stamped automatically (page 42).

- 1 Insert a recordable MD.
- 2 Insert the CD and play the track you want to record.
- 3 Press TO TOP or TO END.

The player goes back to the beginning of the track you are listening to, and starts recording.

When you use a recorded MD:

To record before the previous recording, press TO TOP.

To record after the previous recording, press TO END.

When you use a new MD:

Press either TO TOP or TO END.

When recording is finished, MD player will stop operation automatically but CD player will continue play.

## You can label the track during recording

- 1 Press EDIT.
- 2 Press DISPLAY repeatedly to select the type of characters.
- 3 Turn the jog dial to display the character you want and press  $\Rightarrow$ .
- 4 Repeat steps 2 and 3 to complete the entire name.
- 5 Press ENTER • YES.

For details, see pages 39 - 41.

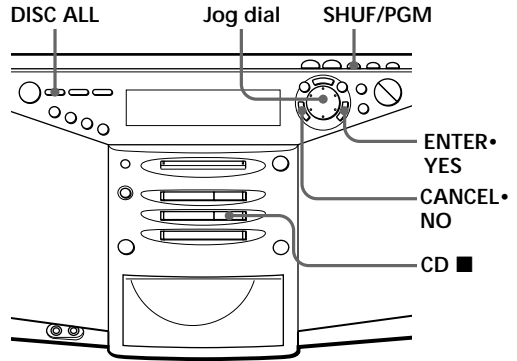
# Recording the tracks you programmed

(Synchronized recording of the tracks you programmed)

You can record the tracks you programmed.

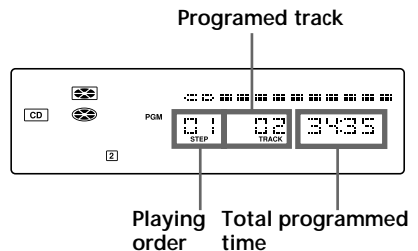
## Tip

If you made a mistake, press CANCEL • NO and re-enter the track number using the jog dial and ENTER • YES.



- 1 Insert a recordable MD.
- 2 Insert the CD you want to record and press CD ■.
- 3 Press SHUF/PGM until "PGM" appears in the display.
- 4 Turn the jog dial to select the track you want to program, and press ENTER • YES. Repeat this step.

Programmed tracks appear in the music calendar.



- 5 Press DISC ALL.

The player starts recording automatically.

If the MD has any previous recording, recording will be made from the last recorded position.



## Notes

- **TOC EDIT** After you stop recording, do not disconnect the AC power cord or move the player while "TOC EDIT" is flashing in the display. If you do so, recording may not be done properly.
- If you turn up the volume too high, sound skipping may occur.

## Tips

- To record over the previous recording, see page 28.
- Once the clock is set, the recording date and time are stamped automatically (page 42).

## If "CD>MD OK?" alternates with time display

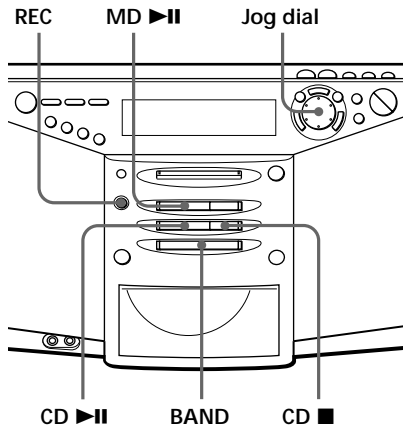
There is not enough space on the MD to record the whole program.

If it is all right to record as much as possible and cancel recording of some tracks, press ENTER • YES. To stop recording, press CANCEL • NO.

If any other messages are displayed, see page 64.

# Recording from the radio or a CD

You can record from the radio or a CD to an MD using the REC button. You can start or stop recording at any point you want. You can also pause recording.



## Notes

- **TOC EDIT** After you stop recording, do not disconnect the AC power cord or move the player while "TOC EDIT" is flashing in the display. If you do so, recording may not be done properly.
- While recording from radio, you cannot change the station.
- If you turn up the volume too high, sound skipping may occur.

## Tips

- To add track marks during recording, press REC where you want to add track marks.
- To record over the previous recording, see page 28.
- To add track marks after recording, see "Dividing recorded tracks" on page 34.

## Recording from the radio

When receiving conditions are good, track marks are added on the MD automatically:

- when there is no sound input during recording for more than 2 seconds.
- when a soft sound like pianissimo continues during recording.
- when you pause recording.

If unnecessary track marks are added, erase them after recording (see "Combining recorded tracks" on page 36).

- 1 Tune in the station you want to record from.
- 2 Insert a recordable MD.
- 3 Press REC (● on the remote).  
Recording does not start (recording standby mode).
- 4 Press MD ►|| (MD ► or MD || on the remote).  
Recording will be made from the last recorded position.


## To stop recording

Press MD ■.

**Tip**

When you record a program of a station whose name is labeled on this player, the station name is recorded automatically as the track name (page 21).

**Notes**

-  After you stop recording, do not disconnect the AC power cord or move the player while "TOC EDIT" is flashing in the display. If you do so, recording may not be done properly.
- If you turn up the volume too high, sound skipping may occur.

**Tips**

- To add track marks during recording, press REC where you want to add track marks.
- To record over the previous recording, see page 28.
- To add track marks after recording, see "Dividing recorded tracks" on page 34.

**To pause recording**

Press MD ►||. Press the button again to resume recording. (On the remote, use MD || instead of MD ►||.)

**Recording from a CD**

Track marks on the source CD are recorded on the same positions on the MD. Track marks are also added automatically on the MD when you pause recording.

If unnecessary track marks are added, erase them after recording (see "Combining recorded tracks" on page 36).

- 1 Insert a CD.
- 2 Press CD ■ to activate the CD player.
- 3 Insert a recordable MD.
- 4 Press REC (● on the remote).  
Recording does not start (recording standby mode).
- 5 Press MD ►|| (MD ► or MD || on the remote).  
Recording will be made from the last recorded position.
- 6 Press CD ►||.

**To stop recording**

Press MD ■.

**To pause recording**

Press MD ►||. Press the button again to resume recording. (On the remote, use MD || instead of MD ►||.)

---

# Recording on a recorded MD

There are two ways of recording on a recorded MD.

- To add to the previous recording. The previous recording will remain.
- To record over the previous recording. The previous recording will be erased.

## Adding recording (the previous recording will remain)

Insert a recorded MD, and start recording (pages 6, 26 and 27). Recording will be made from the last recorded position.

## If there is not enough space on the MD to record

When recording a whole CD, “CD>MD OK?” appears in the display (page 7). When recording from the radio or a CD, press DISPLAY to check the recording remaining time on the MD.

## Recording over the previous recording (the previous recording will be erased)

To record over from the beginning of the MD after erasing all tracks on the MD

First, erase all tracks on an MD (page 32). You can use the MD the same as a new one. Then, record on the MD as usual.

## To record over from a specific point on the MD

- 1 Play the MD and press MD ►|| to pause play at the point you want to start recording.
- 2 Press REC to make the player in standby mode.
- 3 Play the sound source.
- 4 Press MD ►|| to start recording.

## Note

When recording over from a specific point on the MD:

If the new recording is shorter than the previous recording, a part of the previous recording will remain after the recording. As you repeat this type of recording, many fragments of recording will remain on the MD. We recommend that you erase all tracks on the MD (page 32) if you no longer need to keep the recording. Then, start recording on the blank MD.

# Before editing

On the MD, track marks are inserted between the tracks. You can find the beginning of the tracks quickly using the track marks. You can change the positions of the track marks. For instance, you can divide a certain track into several tracks by adding track marks. You can also combine some tracks into a new longer track by erasing some track marks.

**The position of the track marks to be added are different depending on the type of recording or recording conditions**

The type of recording	The position of the track marks to be added
Recording a whole CD (page 6)	The same positions on the source CD
Recording from a CD using REC button (page 27)	<ul style="list-style-type: none"> <li>• The same positions on the source CD</li> <li>• The position where you pause recording</li> <li>• The position where you press REC</li> </ul>
Recording from the radio or other equipment connected to the player (pages 26 and 52)	<ul style="list-style-type: none"> <li>• When there is no sound input or a soft sound continues during recording for more than two seconds</li> <li>• The positions where you pause recording</li> <li>• The positions where you press REC</li> </ul>

You can add or erase track marks after recording. When you record, for instance, from a radio or other equipment connected to the player, track marks may be added to the positions you do not want. If that happens, change the positions of the track marks to those you want.

## Change the track marks correctly

- To erase a track mark → “Combining recorded tracks (Combine Function)” (page 36): You can combine two tracks into a single one by erasing the track mark between the two tracks.
- To add a track mark → “Dividing recorded tracks (Divide Function)” (page 34): You can divide one track into two tracks by adding a track mark.

continued

---

## Before editing (continued)

### You can also use the following functions

- Erasing a single track → “Erasing recordings (Erase Function)” (page 31)
- Erasing all tracks on an MD → “Erasing recordings (Erase Function)” (page 32)
- Changing the order of the tracks → “Moving recorded tracks (Move Function)” (page 38)
- Locating any point in the track quickly → “Dividing recorded tracks (Divide Function)” (page 34)
- Combining several independently recorded portions into a single track → “Erasing recordings (Erase Function)” (page 31) and “Combining recorded tracks (Combine Function)” (page 36)

### Note



After you stop recording, do not disconnect the AC power cord or move the player while “TOC EDIT” is flashing in the display. If you do so, recording may not be done properly.

# Erasing recordings

## (Erase Function)


You can quickly erase the recorded tracks or unnecessary portion in the track. Unlike a cassette-corder, blank portion will not remain after erasure.

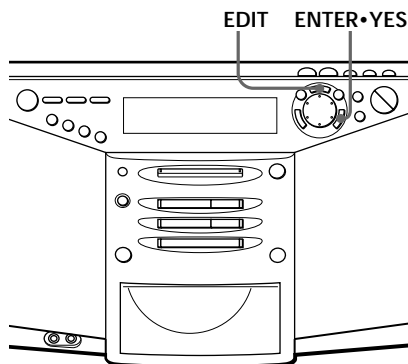
Here are three options to erase recordings:

- Erasing a single track
- Erasing all tracks on an MD
- Erasing a portion of a track

### Notes

- If “Protected” appears in the display, the tab on the MD is in the record-protect position (page 56).

-  After you stop recording, do not disconnect the AC power cord or move the player while “TOC EDIT” is flashing in the display. If you do so, recording may not be done properly.



### Erasing a single track

You can erase a whole track quickly. When you erase a track, the total number of tracks on the MD decreases by one and all tracks following the erased one are renumbered.

- 1** Play the track you want to erase.
- 2** Press EDIT repeatedly until “Track Erase” appears in the display.
- 3** Press ENTER•YES.

“Erase OK?” appears in the display, and one-track repeat play starts. Once you have erased a track, you cannot recover it. Be sure to check the contents of the track you are trying to erase.

**If you want to cancel the erase function at this point:**

Press CANCEL•NO or MD ■.

- 4** Press ENTER•YES.

“Complete” appears in the display for a few seconds, and the current track will be erased.

continued

## Erasing recordings (Erase Function) (continued)

### Note



After you stop recording, do not disconnect the AC power cord or move the player while "TOC EDIT" is flashing in the display. If you do so, recording may not be done properly.

### Erasing all tracks on an MD

You can erase the disc name, all recorded tracks and their names at the same time. After you have erased all tracks on the MD, you can use it as a new MD.

**1** While the player is stopped, press EDIT repeatedly until "All Erase" appears in the display.

**2** Press ENTER•YES.

"Erase OK?" appears in the display. Once you have erased a track, you cannot recover it. Be sure to check the contents of the track you are trying to erase.

If you want to cancel the erase function at this point:

Press CANCEL•NO or MD ■.

**3** Press ENTER•YES.

After "TOC EDIT" disappears from the display, "Blank Disc" appears in the display, and all contents on the MD are erased.



Note

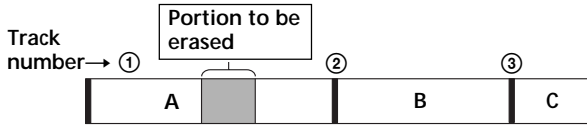


After you stop recording, do not disconnect the AC power cord or move the player while "TOC EDIT" is flashing in the display. If you do so, recording may not be done properly.

### Erasing a portion of a track

By using the Divide (page 34), Erase (page 31) and Combine (page 36) functions, you can erase specific portions of a track.

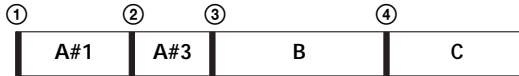
Example: Erasing a portion of track A



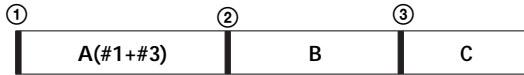
**1** Divide A into three parts (page 34).



**2** Erase A#2 (page 31).



**3** Combine A#1 and A#3 (page 36).



# Dividing recorded tracks

## (Divide Function)

When recording from the radio, etc., track marks may not be added correctly. A number of tracks may be included in a single track. You can divide these tracks into separate tracks, and add a new track mark to each track. All tracks following the divided tracks are renumbered.

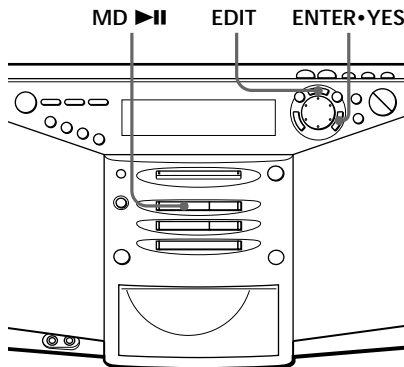
### Tips

- To put the divided tracks together, see “Combining recorded tracks” on page 36.
- To divide a track during recording, press REC at the point where you want to add the track mark.

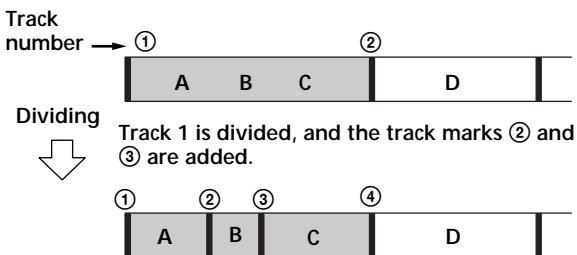
### Note

If “Sorry” appears in the display, you cannot divide the track.

If you repeat editing on the MD, you may not be able to divide a track. This is due to the system limitations of the MD (page 57), but not caused by malfunction.



Example: Dividing track 1 into three tracks



Track 1 is divided, and the track marks ② and ③ are added.

- 1** While playing the MD, press MD ►|| at the point where you want to create a new track.  
The player pauses.
- 2** Press EDIT repeatedly until “Divide” appears in the display.
- 3** Press ENTER•YES.  
“Divide OK?” appears in the display.

If you want to cancel the divide function at this point:

Press CANCEL•NO or MD ■.

## Note



After you stop recording, do not disconnect the AC power cord or move the player while "TOC EDIT" is flashing in the display. If you do so, recording may not be done properly.

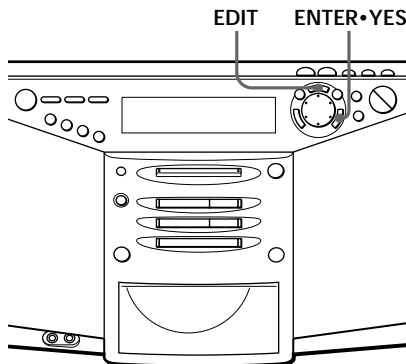
**4** Press ENTER • YES.

"Complete" appears in the display for a few seconds after the track is divided. The original track only has the track name, while the new track has no name (this happens only when the track you divided had its track name). One track is added to the music calendar.

# Combining recorded tracks

## (Combine Function)

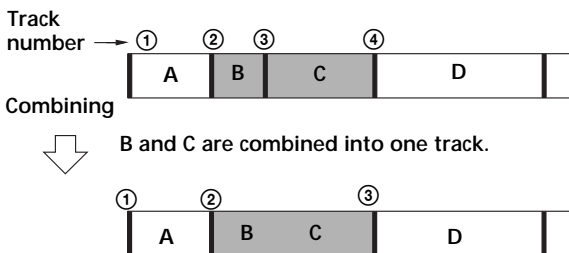
You can combine two adjacent tracks into a single one. Using the combine function, you can combine a number of fragmented recordings or delete the unnecessary track marks. All tracks following the combined track are renumbered.



### Notes

- If “Sorry” appears in the display, you cannot combine the tracks. If you repeat editing on the MD, you may not be able to combine the tracks. This is due to the system limitations of the MD (page 57), but not caused by malfunction.
- If “Cannot Edit” appears in the display, you may be trying to combine the tracks on the first track. You cannot use the combine function on the first track.

Example: Combine the tracks B and C



B and C are combined into one track.

- 1** Play the track you want to combine.  
Example: To combine tracks B and C, play the track C.
- 2** Press EDIT repeatedly until “Combine” appears in the display.
- 3** Press ENTER•YES.  
“Combine OK?” appears in the display; the player enters the playback pause mode.  
If you want to cancel the combine function at this point:  
Press CANCEL•NO or MD ■.

## Note



After you stop recording, do not disconnect the AC power cord or move the player while "TOC EDIT" is flashing in the display. If you do so, recording may not be done properly.

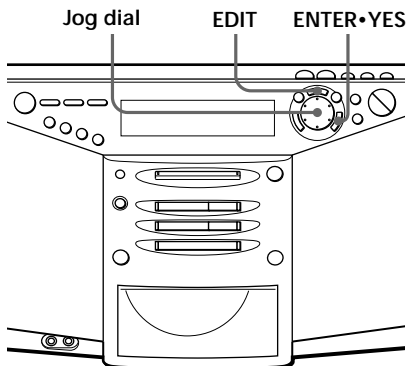
**4** Press ENTER • YES.

"Complete" appears in the display for a few seconds after the tracks are combined. If both of the combined tracks had track names, the name of the latter track is erased. The total number of tracks in the music calendar decreases by one.

# Moving recorded tracks

## (Move Function)

You can change the order of the tracks. After you move the track, the track numbers are renumbered automatically.

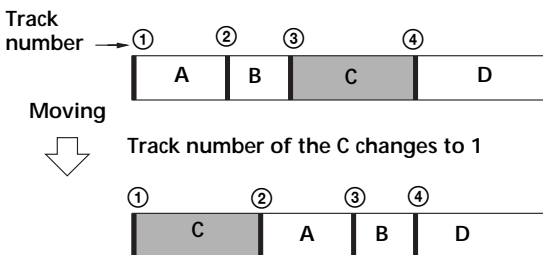


### Note



After you stop recording, do not disconnect the AC power cord or move the player while "TOC EDIT" is flashing in the display. If you do so, recording may not be done properly.

### Example: Moving C to the position of track 1

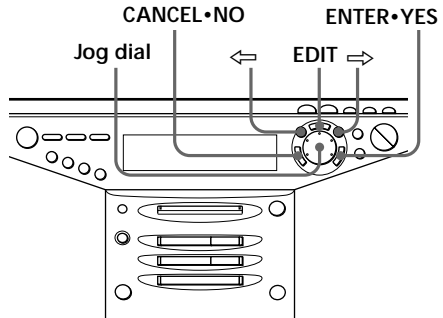


- 1 Play the track you want to move.
- 2 Press EDIT repeatedly until "Track Move" appears in the display.
- 3 Press ENTER•YES.  
"→Track 003?" appears in the display, and one-track repeat play starts.
- 4 Turn the jog dial to select the new track position.  
If you want to cancel the move function at this point:  
Press CANCEL•NO or MD ■.
- 5 Press ENTER•YES.  
"Complete" appears in the display for a few seconds after the track is moved.

# Labeling recordings

(Name Function)

You can label the MDs and the tracks you have recorded with letters, numbers and symbols. Each label can be made up of up to 100 characters. You can input up to about 1,700 characters into each MD.



## Labeling an MD

- 1 Insert the MD you want to label, and stop the MD play.
- 2 Press EDIT repeatedly until "Disc Name" appears in the display.
- 3 Press ENTER • YES.  
If the disc name has been already labeled, the disc name appears in the display.
- 4 Press DISPLAY repeatedly to select the type of characters.

Each time you press DISPLAY, the character changes as follows: Uppercase letters → Lowercase letters → Numbers and symbols.

You can use the following characters:

The type of characters	Characters (symbols)
Uppercase letters	ABCD.....WXYZ',/: □ (space)
Lowercase letters	abcd.....wxyz',/: □ (space)
Numbers and symbols	0123456789!"#\$%&()*.*;<=>? @_`+ -',/;□(space)

continued

## Labeling recordings (Name function) (continued)

### Note



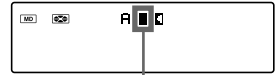
After you stop recording, do not disconnect the AC power cord or move the player while "TOC EDIT" is flashing in the display. If you do so, recording may not be done properly.

**5** Turn the jog dial counterclockwise or clockwise to select the characters.

**6** Press ⇐⇒.

The cursor shifts rightward and waits for the input of the next character.

Display



Cursor

**7** Repeat steps 4 through 6 to complete the entire name.

**8** Press ENTER•YES.

The name has been labeled on the MD.

### Labeling a track

**1** Play the track you want to label.

**2** Press EDIT repeatedly until "Track Name" appears in the display.

**3** Press ENTER•YES.

One-track repeat play starts. If the track name has been already labeled, the track name appears in the display.

**4** Input the characters according to steps 4 through 8 of "Labeling an MD."

The name has been labeled on the track.



### To change the characters

- **To add characters after the existing characters**

- ① Move the cursor to the right of the last character using  $\Rightarrow$ .
- ② Turn the jog dial to select the character.
- ③ Press ENTER•YES.

- **To change the characters**

- ① Move the cursor to the character you want to change using  $\Rightarrow$ .
- ② Turn the jog dial to select the character.
- ③ Press ENTER•YES.

- **To delete the character**

- ① Move the cursor to the character you want to delete using  $\Rightarrow$ .
- ② Press DELETE. If you press DELETE repeatedly, the characters will be deleted one after another.
- ③ Press ENTER•YES.

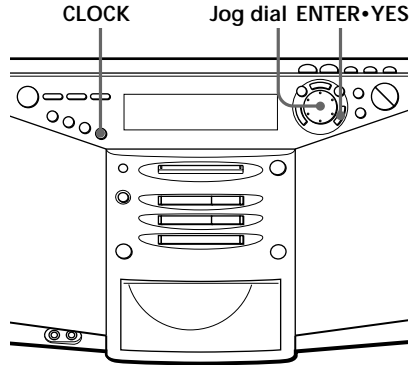
- **To insert a character**

- ① Move the cursor to the place you want to add a character using  $\Rightarrow$ .
- ② Press INSERT to make a space between the characters.
- ③ Turn the jog dial to select the character.
- ④ Press ENTER•YES.

# Setting the clock

“- y - m - d” and “- :- -” indications appear in the display until you set the clock.

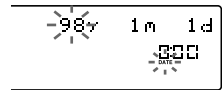
Once the clock is set, the recording date and time are stamped automatically (pages 7, 23 and 25).



## Tips

- The time display system of this player is the 24-hour system.
- You can set the clock of this player any time, no matter whether power is on or off.

- 1 Press and hold **CLOCK** until the year digits flash.

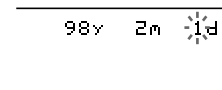


- 2 Set the date.

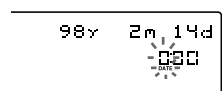
- ① Turn the jog dial to set the year and press **ENTER•YES**.



- ② Turn the jog dial to set the month and press **ENTER•YES**.



- ③ Turn the jog dial to set the day and press **ENTER•YES**.



- 3 Set the time.

- ① Turn the jog dial to set the hour and press **ENTER•YES**.

- ② Turn the jog dial to set the minutes and press **ENTER•YES**.

**4** Press ENTER • YES.

The clock starts from 00  
seconds.

98y 2m 14d
9:15

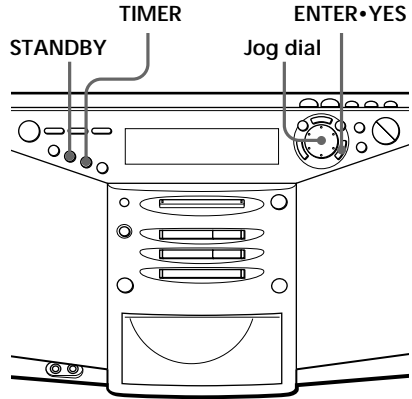
#### To display the time

Press CLOCK. To go back to the previous display, press CLOCK again. As long as the power is turned off, the time indication is displayed.

# Waking up to music

You can wake up to music or a radio program at a preset time.

Make sure you have set the clock (see “Setting the clock” on page 42).



## Note

You cannot preset waking up timer and recording timer (page 46) at the same time.

Before you begin, make sure “TIMER PLAY” or “TIMER REC” is not displayed. If either one is displayed, press STANDBY.

## 1 Prepare the music source you want to play.

Source	Do this
CD	Insert a CD.
MD	Insert an MD.
RADIO	Tune in the station.
LINE	Turn on the equipment connected to LINE IN.

## 2 Press TIMER.

“TIMER PLAY” or “TIMER REC” flashes in the display.



Make the following settings by checking the indications in the display.

## 3 Turn the jog dial until “TIMER PLAY” flashes in the display, and press ENTER•YES.

“MD”, “CD”, “RADIO” or “LINE” flashes in the display.

## 4 Turn the jog dial until the music source you want to play (“MD”, “CD”, “RADIO” or “LINE”) appears in the display, and press ENTER•YES.

**Tip**

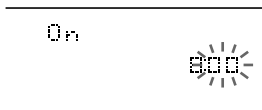
If you made a mistake, press CANCEL•NO. The setting entered last will be cleared. Re-enter it.

**Tips**

- To exit the standby mode, press STANDBY to make either "TIMER PLAY" or "TIMER REC" disappear from the display.
- The preset settings remain until you reset them.
- As long as the ☹ indication appears in the display, the player is in timer mode.

**5** Set the timer to the hour and the minutes you want the music to go on.

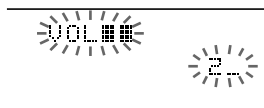
- ① Turn the jog dial to set the hour and press ENTER•YES.



- ② Turn the jog dial to set the minutes and press ENTER•YES.

**6** Set the timer to the hour and the minutes you want the music to go off (Do as step 5.).

**7** Turn the jog dial to set the volume you want, and press ENTER•YES.



**8** Press STANDBY.

"TIMER PLAY" lights up; the player enters the standby mode.

At the preset time, the power will go on and music will play. Then the power will go off at the preset time, and the player will enter the standby mode again.

**To check/change the waking up timer settings**

Press TIMER, then press ENTER•YES. Each time you press ENTER•YES, a stored setting is displayed in the set order. To change the setting, display the setting you want to change and re-enter it.

**To use the player before a timer playback starts**

If you turn on the player, you can use it as usual ( in case of the radio, if you listen to the station which is different from the one you tuned in step 1 on page 44, you will hear that station at the preset time.) Turn off the player before the preset time.

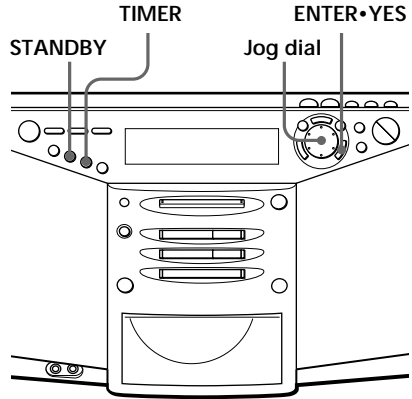
**To stop play**

Turn off the power.

# Timer-recording radio programs

You can set timer to record the radio at a certain time. You can also record from the component connected to the LINE IN jack of the player.

Make sure you have set the clock (see “Setting the clock” on page 42).



## Notes

- You cannot preset recording timer and waking up timer (page 44) at the same time.
- When recording from the component connected to the LINE IN jack of the player, refer to the operating instructions of the component.

## Tip

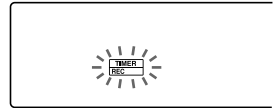
If you made a mistake, press CANCEL•NO. The setting entered last will be cleared. Re-enter it.

Before you begin, make sure “TIMER PLAY” or “TIMER REC” is not displayed. If either one is displayed, press STANDBY.

**1** Tune in the radio station and insert an MD.

**2** Press TIMER.

“TIMER PLAY” or “TIMER REC” flashes in the display.



Make the following settings by checking the indications in the display.

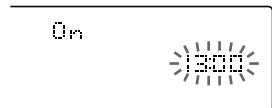
**3** Turn the jog dial until “TIMER REC” flashes in the display, and press ENTER•YES.

**4** Turn the jog dial until “RADIO” flashes in the display, and press ENTER•YES.

When recording from the component connected to the LINE IN jack of the player, turn the jog dial until “LINE” flashes in the display, and press ENTER•YES.

**5** Set the timer to the hour and the minutes you want to start recording.

① Turn the jog dial to set the hour and press ENTER•YES.



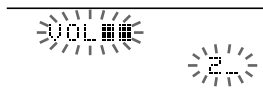
② Turn the jog dial to set the minutes, and press ENTER•YES.

### Tips

- To exit the standby mode, press STANDBY to make either "TIMER REC" or "TIMER PLAY" disappear from the display.
- The preset settings remain until you reset them.
- As long as the ☺ indication appears in the display, the player is in timer mode.

**6** Set the timer to the hour and the minutes you want to stop recording. (Do as step 5.)

**7** Turn the jog dial to set the volume you want, and press ENTER • YES.



**8** Press STANDBY.

"TIMER REC" is displayed, and the player enters the standby mode.

At the preset time, the power will go on and the recording will start. Then the power will go off at the preset time, and the player will enter the standby mode again.

### To check/change the recording timer settings

Press TIMER, then press ENTER • YES. Each time you press ENTER • YES, a stored setting is displayed in the set order. To change the setting, display the setting you want to change and re-enter it.

### To use the player before a timer-recording starts

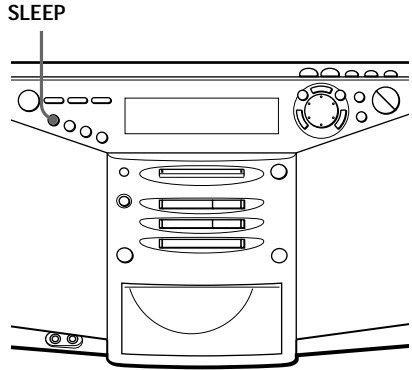
If you turn on the player, you can use it as usual ( in case of the radio, if you listen to the station which is different from the one you tuned in step 1 on page 46, you will hear that station at the preset time.) Turn off the player before the preset time.

### To stop timer-recording

Turn off the power.

# Falling asleep to music

You can set the player to turn off automatically after 10, 20, 30, 60, 90 and 120 minutes, allowing you to fall asleep while listening to music.



## On the remote

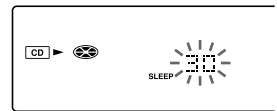
Press SLEEP repeatedly to select the minutes for the sleeping timer.

## Tips

- You can combine the waking up timer with the sleeping timer. Set the waking up timer first (page 44), turn on the player, and then set the sleeping timer.
- You can prepare the different music for the waking up timer and the sleeping timer. However, you cannot store different radio stations.
- You can set different volume for the waking up timer and the sleeping timer. For instance, you can sleep at lower volume and wake up at higher volume.

- 1 Play the music source you want.
- 2 Press SLEEP until “SLEEP” appears in the display.
- 3 Press SLEEP to select the minutes for the sleeping timer.

Each time you press the button, the indication changes as follows: “10” → “20” → “30” → “60” → “90” → “120” → no indication.



If 4 seconds have passed after you pressed SLEEP, the minutes in the display are entered.

The preset time has passed, the player goes off automatically.

## To cancel the sleep function

Press SLEEP to make “SLEEP” disappear from the display.

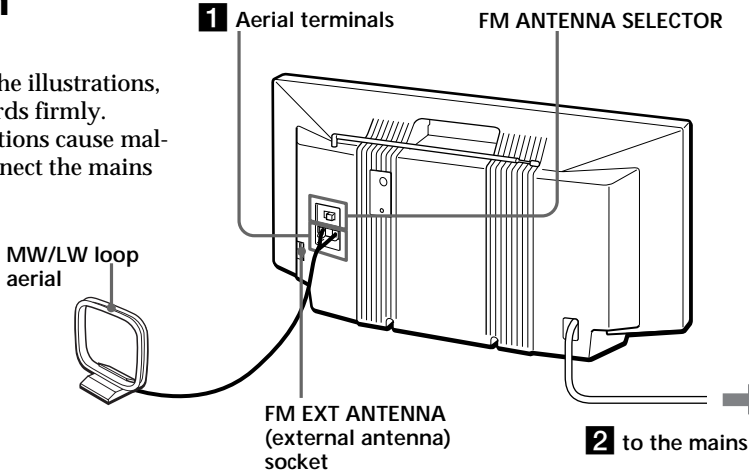
## To change the preset time

Do the steps 2 and 3 again.



# Preparing the system

According to the illustrations, connect the cords firmly. Wrong connections cause mal-functions. Connect the mains lead last.



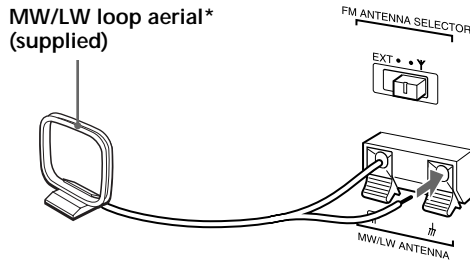
**Note**

Keep the MW/LW loop aerial away as far as possible from the player. If you do not, noise may be heard.

**Tip**

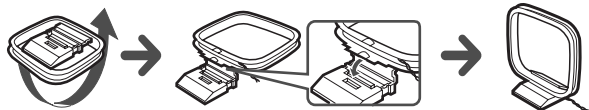
This unit is supplied with a different color speaker net. If you wish to change the color of your speaker, pull each corner of the speaker net toward yourself to remove the net. Then exchange it with the extra net.

## 1 Hooking up the aerial



\*Reorient the aerial to improve broadcast reception

### Setting up the MW/LW loop aerial




## 2 Connecting the mains lead

Connect the mains lead to the mains.

continued

## Preparing the system (continued)

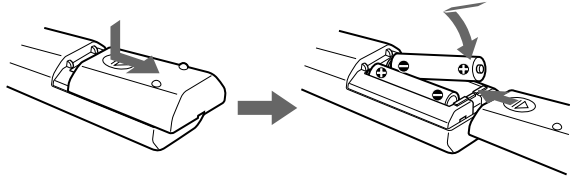
### Tips

- This player has two  (headphones) jacks so that two persons listen to the same music together.

When using the  jack marked with ••, you can also listen to the sound through the speakers. You can enjoy the surround sound using optional cordless stereo headphones system such as MDR-IF520RK and transmitter.

- The sound quality may be changed depending on the polarity of the plug. Change the direction of inserting the plug and check the sound quality.

### 3 Inserting batteries into the remote



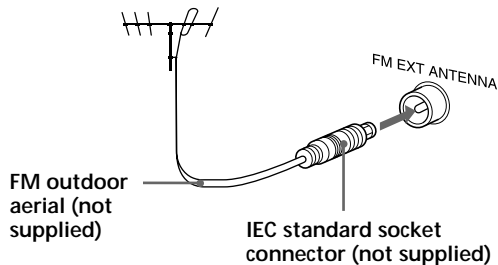
Insert two R6 (size AA) batteries (not supplied)

### Replacing batteries

With normal use, the batteries should last for about six months. When the remote no longer operates the player, replace all the batteries with new ones.

### To improve the FM reception

- ① Connect the FM outdoor aerial (not supplied). If you use a distributor, you can also use the TV aerial.



- ② Set the FM ANTENNA SELECTOR at the rear to "EXT".

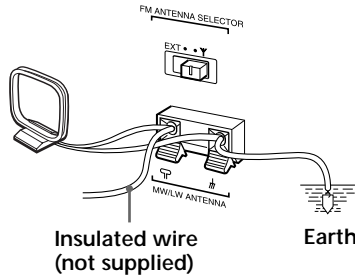


### Important

When you use an outdoor aerial, be sure to connect the  $\uparrow$  terminal to earth against lightning. To prevent a gas explosion, do not connect the ground wire to a gas pipe.

### To improve the MW/LW reception

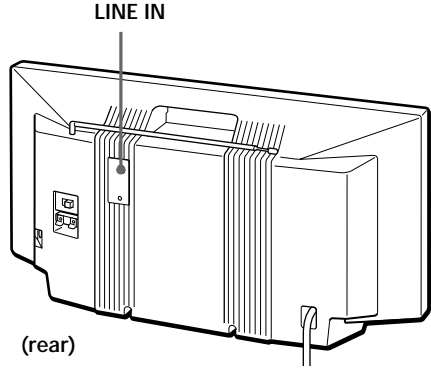
Connect a 6- to 15-meter (20- to 50 feet) (not supplied) insulated wire to the MW/LW ANTENNA terminal. Keep the wire as horizontal as possible near the window or outdoor. You do not need to disconnect the supplied MW/LW loop aerial.



# Connecting optional components

You can enjoy the sound from a TV or VCR through the speakers of this player.

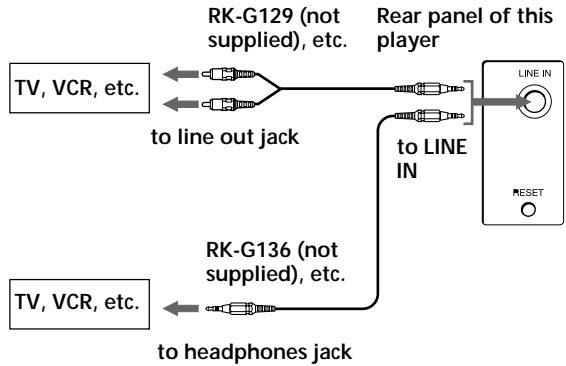
Be sure to turn off the power of each component before making connections. For details, refer to the instructions of the component to be connected.



## Note

Connect the cords firmly to avoid any malfunction.

## Connecting a TV or a VCR



After finishing the connections, turn on the player, and press LINE on the front panel to display "LINE".

## Tip

If there is no sound input for more than 2 seconds during recording, a track mark is stamped automatically.

## Recording the sound from the connected components

- 1 Insert a recordable MD.
- 2 Press **LINE** on the front panel to display "LINE".

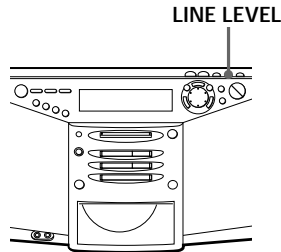
- 3 Press **REC**.

Recording does not start (recording standby mode).

- 4 Press **MD** **▶||**.
- 5 Play the optional component connected to the **LINE IN** jack of the player.

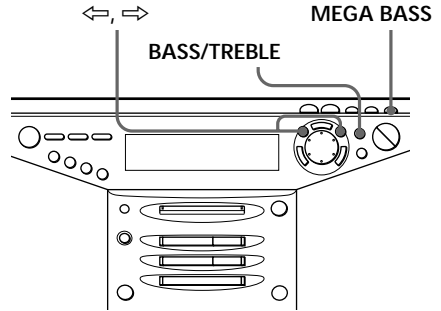
### If the volume of the component connected to the **LINE IN** jack is too high

Press **LINE LEVEL** to display "Level: High" or reduce the volume of the connected component.



# Adjusting the audio emphasis

You can adjust the audio emphasis of the bass sound or the bass/treble sound you are listening to.



## Note

When the volume is too high, the sound adjustments may not be effective.

## Reinforcing the bass sound

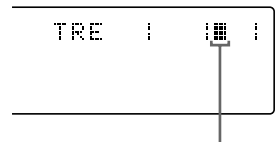
Press MEGA BASS until “MEGABASS On” appears in the display.

Display

MEGABASS On

## Adjusting the bass/treble sound

- 1 Press BASS/TREBLE to select “BASS” or “TRE” (treble).
- 2 Adjust the bass or treble sound using  $\leftarrow$  or  $\rightarrow$ .



Each time you press  $\leftarrow$  or  $\rightarrow$ , the cursor moves left or right. As the cursor moves rightward, the level will be turned up. As the cursor moves leftward, the level will be turned down.

# Precautions

## On safety

- As the laser beam used in the CD and MD player section is harmful to the eyes, do not attempt to disassemble the casing. Refer servicing to qualified personnel only.
- Should any solid object or liquid fall into the player, unplug the player, and have it checked by qualified personnel before operating it any further.

## On power sources

- The player is not disconnected from the AC power source (mains) as long as it is connected to the wall outlet, even if the player itself has been turned off.
- When the batteries are not to be used, remove them to avoid damage that can be caused by battery leakage or corrosion.
- The nameplate indicating operating voltage, power consumption, etc. is located at the rear.

## On placement

- Do not leave the player in a location near heat sources, or in a place subject to direct sunlight, excessive dust or mechanical shock.
- Do not place anything within 10 mm of the side of the cabinet. The ventilation holes must be unobstructed for the player to operate properly and prolong the life of its components.

- If the player is left in a car parked in the sun, be sure to choose a location in the car where the player will not be subjected to the direct rays of the sun.
- Since a strong magnet is used for the speakers, keep personal credit cards using magnetic coding or spring-wound watches away from the player to prevent possible damage from the magnet.

## On operation

- If the player is brought directly from a cold to a warm location, or is placed in a very damp room, moisture may condense on the lenses inside the CD and MD player section. Should this occur, the player will not operate properly. In this case, remove the CD or MD and wait about an hour for the moisture to evaporate.

If you have any questions or problems concerning your player, please consult your nearest Sony dealer.

continued

---

## Precautions (continued)

### Notes on CDs

- Before playing, clean the CD with a cleaning cloth. Wipe the CD from the centre out.



- Do not use solvents such as benzene, thinner, commercially available cleaners or anti-static spray intended for vinyl LPs.
- Do not expose the CD to direct sunlight or heat sources such as hot air ducts, nor leave it in a car parked in direct sunlight as there can be a considerable rise in temperature inside the car.
- After playing, store the CD in its case.

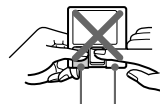
If there is a scratch, dirt or fingerprints on the CD, it may cause tracking error.

### Cleaning the cabinet

Clean the cabinet, panel and controls with a soft cloth slightly moistened with a mild detergent solution. Do not use any type of abrasive pad, scouring powder, or solvent, such as alcohol or benzene.

### Notes on MDs

- Do not open the shutter to expose the MD. Close the shutter immediately if the shutter opens.



Shutter Cartridge

- Wipe the disc cartridge with a dry cloth to remove dirt.

### Protecting a recorded MD

To record-protect an MD, slide open the tab at the side of the MD (so the tab is concealed).

In this position, the MD cannot be recorded. To record on the MD, slide close the tab.



Slide open the tab



---

# System limitations of the MD

The recording system in your MiniDisc recorder is radically different from those used in cassette and DAT decks and the system has limitations described below. Note, however, that these limitations are due to the inherent nature of the MD recording system itself and not to mechanical causes.

**"Disc Full" appears in the display even before the MD has reached the maximum recording time (60 or 74 minutes)**

When 254 tracks have been recorded on the MD, "Disc Full" appears regardless of the total recorded time. More than 254 tracks cannot be recorded on the MD. To continue recording, erase unnecessary tracks.

**"Disc Full" appears in the display even before the MD has reached the maximum track number or recording time.**

Repeated recording and erasing may cause fragmentation and scattering of data. Although those scattered data can be read, each fragment is counted as a track. In this case, the number of tracks may reach 254 and further recording is not possible. To continue recording, erase unnecessary tracks.

**The remaining recording time does not increase even after erasing numerous short tracks**

Tracks under 12 seconds long are not counted, so erasing them may not increase the recording time.

**Some tracks cannot be combined with others**

Track combination may become impossible when tracks are under 12 seconds long.

**The total recorded time and the remaining time on the MD may not reach the maximum recording time (60 or 74 minutes)**

Recording is done in minimum units of 2 seconds each, no matter how short the material. The contents recorded may thus be shorter than the maximum recording capacity. Disc space may also be further reduced by scratches.

**The sound may dropout while fast-forwarding or rewinding the edited tracks.**

Tracks created through editing may exhibit sound dropout during fast-forwarding or rewinding because high-speed playback takes time to search for the position on the disc when the tracks are scattered on the disc.

continued

---

### Guide to the serial copy management system

Digital audio equipment such as CDs, MDs, DATs, etc., copy music easily with high quality, for these products process music as a digital signal. The Serial Copy Management System allows you to make only a single copy of a recorded digital source through digital-to-digital connections because music programmes may be copyrighted.

This system is applied to this player.

### You can make only a first-generation copy\* through a digital-to-digital connection.

That is :

- 1 You can make a copy of a digital sound programme on the market such as CDs, MDs, etc., but you cannot make a second copy from the first-generation copy.
- 2 You can make a copy of a digital signal from a digitally-recorded analog sound programme on the market such as an analog record, music cassette tape, etc., or from digital satellite broadcasts, but you cannot make a second copy.

#### Note

No restrictions apply when a digital signal is recorded as an analog signal (that is, when a digital signal is recorded through analog-to-analog connection.)

\* A first-generation copy is a digital recording of a digital signal made on digital audio equipment through a digital-to-digital connection.  
During recording, "DIGITAL REC" appears in the display on this player.

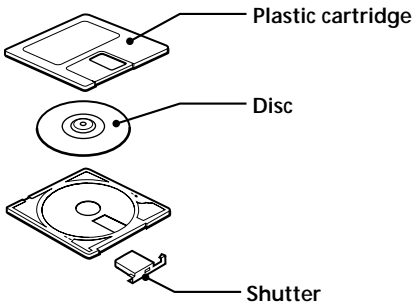
---

# Getting to know the MD

## Structure

The 2.5-inch MiniDisc (MD) is compact and easy to handle requiring less care as it is encased in a plastic cartridge that looks like a 3.5-inch diskette (see illustrations below).

## Parts making up a MiniDisc



## Disc variation

MDs come in two types: pre-mastered (pre-recorded) and recordable (blank). Pre-mastered MDs cannot be recorded on or over like cassette tapes. To record, you must use a “recordable MD.”

## Pre-mastered MDs

Pre-mastered MDs are recorded and played like regular CDs. A laser beam focus on the pits on the surface of the MD and reflects the information back to the lens in the recorder. The recorder then decodes the signals and plays them back as music.



## Recordable MDs

Recordable MDs, which use magneto-optical (MO) technology, can be recorded again and again. The laser inside the recorder applies heat to the MD, demagnetizing the magnetic layer of the MD. The recorder then applies a magnetic field to the layer. This magnetic field corresponds exactly to the audio signals generated by the connected source. (The north and south polarities equate to digital “1” and “0.”) The demagnetised MD adopts the polarity of the magnetic field, resulting in a recorded MD.



continued

---

## Getting to know the MD (continued)

### Features

#### Long recording

The MD uses a new digital audio compression technology called Adaptive Transform Acoustic Coding (ATRAC). To store more sound in less space, ATRAC extracts and encodes only those frequency components actually audible to the human ear.

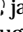

#### Quick random access

Like CDs, MDs offer instantaneous random access to the beginning of any music track. Pre-mastered MDs are recorded with location addresses corresponding to each music track.

#### Shock-resistant memory

One major drawback of optical read systems is that they skip or mute the sound when subject to vibration. The MD system resolves this problem by using a buffer memory that stores audio data.

# Troubleshooting

	Symptom	Remedy
General	There is no audio.	<ul style="list-style-type: none"> <li>• Press OPERATE to turn on the player.</li> <li>• Connect the mains lead securely.</li> <li>• Adjust the volume.</li> <li>• Unplug the headphones from the  jack marked with • when listening through speakers.</li> <li>• Wait until "TOC Reading" disappears from the display.</li> </ul>
	The picture of your TV becomes unstable.	<ul style="list-style-type: none"> <li>• Move the player away from the TV.</li> </ul>
CD Player	The CD does not play/"No Disc" lights in the display even when a CD is in place.	<ul style="list-style-type: none"> <li>• Make sure that the CD tray is closed.</li> <li>• Place the CD with the label surface up.</li> <li>• Clean the CD.</li> <li>• Take out the CD and leave the CD tray open for about an hour to dry moisture condensation.</li> </ul>
	The sound drops out.	<ul style="list-style-type: none"> <li>• Reduce the volume.</li> <li>• Clean the CD, or replace it if the CD is badly damaged.</li> <li>• Place the player in a location free from vibration.</li> </ul>
MD Player	An incompletely inserted MD cannot be pulled out.	<ul style="list-style-type: none"> <li>• The MD player's self-lock system has gripped the MD. Insert the MD completely, then press  MD EJECT.</li> </ul>
	"Disc Error" lights in the display and the player does not operate.	<ul style="list-style-type: none"> <li>• Take the MD out and insert it again. If "Disc Error" remains, replace the MD. Try erasing all tracks on the MD (page 32).</li> </ul>
	The MD does not play.	<ul style="list-style-type: none"> <li>• Take out the MD and leave the player in a warm place for several hours until the moisture evaporates.</li> <li>• The MD is inserted in the wrong direction. Slide the MD into the disc compartment with the label side up and the arrow pointing towards the opening until the player grips it.</li> <li>• The MD may be blank (the music calendar does not appear). Replace the disc with one that has been recorded.</li> </ul>

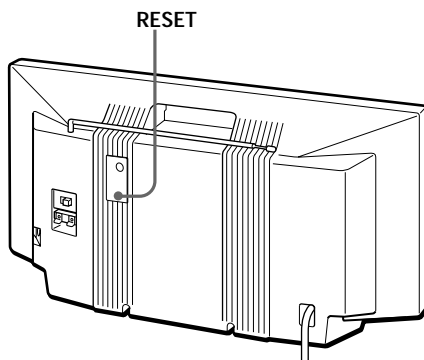
continued

## Troubleshooting (continued)

	Symptom	Remedy
MD Player	The MD does not record.	<ul style="list-style-type: none"> <li>• The MD is record-protected ("Protected" appears). Close the record-protect slot.</li> <li>• The track has been protected using another MD recorder ("Trk Protect" appears). Release the track-protect on the same MD recorder that protected the track.</li> <li>• The player is not connected properly to the sound source. Make connections properly to the sound source.</li> <li>• A pre-mastered MD is inserted. Replace it with a recordable MD.</li> <li>• There is not enough space left on the MD. Replace it with another recordable MD with enough space, or erase unnecessary tracks.</li> <li>• There has been a power failure or the mains lead has been disconnected. Data recorded to that point may be lost. Repeat the recording procedure.</li> </ul>
	The recorded sound drops out.	<ul style="list-style-type: none"> <li>• The sound was recorded at high volume. Record again at lower volume.</li> </ul>
	A stereo program cannot be received in stereo.	<ul style="list-style-type: none"> <li>• Press MONO/ST until "STEREO" appears in the display (page 11).</li> </ul>
Radio	The audio is weak or has poor quality.	<ul style="list-style-type: none"> <li>• The FM stereo broadcast may be noisy (page 11).</li> <li>• Move the player away from the TV.</li> <li>• If you are using the remote while listening to an MW/LW radio, noise may be heard. This is unavoidable.</li> <li>• Move the MW/LW loop aerial away from the player.</li> </ul>
	The timer does not operate.	<ul style="list-style-type: none"> <li>• Make sure the time on the clock is correct.</li> <li>• Check to see if the AC power had been cut off.</li> <li>• Make sure "TIMER REC" or "TIMER PLAY" appears in the display.</li> <li>• Check and change the preset start/stop time if both times are set to the same time.</li> </ul>
Timer		

Symptom	Remedy
The remote does not function.	<ul style="list-style-type: none"><li>• Replace all the batteries in the remote with new ones if they are weak (page 50).</li><li>• Make sure that you are pointing the remote at the remote sensor on the player.</li><li>• Remove any obstacles in the path of the remote and the player.</li><li>• Make sure the remote sensor is not exposed to strong light such as direct sunlight or fluorescent lamp light.</li><li>• Move closer to the player when using the remote.</li></ul>

Operation may become unstable depending on the power supply or other causes because this player employs a microcomputer to link each operation. If other troubles not described above occur, disconnect the AC power cord from the wall outlet, then connect it again after about 20 seconds. If the problem still occurs, press the RESET button at the rear of the player with a pointed object (in this case, clock set, timer or preset radio stations are reset to the initial settings. Set these items again if you need). If the problem persists, please consult your nearest Sony dealer.



---

# Error messages

If the player cannot perform an MD or a CD operation, one of the following error messages may flash in the display window.

This message will flash	If
Blank Disc	you try to play an MD with no recording on it.
Cannot Edit	you try to use the combine function on the first track of the MD.
Disc Error	the player cannot read the MD (it is scratched or dirty).
Disc Full	there is no more space for recording or editing on the MD. (See “System limitations of the MD” on page 57.)
Name Full	the labeling capacity of the MD has reached its limit. Each label can be made up of up to 100 characters. You can input up to about, 1,700 characters into each MD.
No Disc	you try to play or record with no CD or MD in the player.
No MD	you try to play or record with no MD in the player (in case of synchronized recording, etc.)
PB Disc	you try to record or edit on a pre-mastered MD (PB means playback).
Protected	you try to record or edit on an MD with the tab in the record-protect position.
Sorry	you try to edit, ignoring the system limitations of the MD.
Trk Protect	you try to record or edit a track that has been already protected using other MD recorders



# Specifications

## CD player section

### System

Compact disc digital audio system

### Laser diode properties

Material: GaAlAs

Wave length: 785 nm

Emission duration: Continuous

Laser output: Less than 44.6µW

(This output is the value measured at a distance of about 200 mm from the objective lens surface on the optical pick-up block with 7 mm aperture.)

### Spindle speed

200 r/min (rpm) to 500 r/min (rpm) (CLV)

### Number of programme positions

2

### Frequency response

20 - 20,000 Hz +1/-2 dB

### Wow and flutter

Below measurable limit

## Radio section

### Frequency range

FM: 87.6 - 107 MHz

MW: 531 - 1,602 kHz

LW: 153 - 279 kHz

### IF

FM: 10.7MHz

MW/LW: 450kHz

### Aerials

FM: Telescopic aerial

External aerial terminal

MW/LW: External aerial terminals

## MD player section

### System

Minidisc digital audio system

### Disc

MiniDisc

### Laser diode properties

Material: GaAlAs

Wave length: 785 nm

Emission duration: Continuous

Laser output: Less than 44.6µW

(This output is the value measured at a distance of about 200 mm from the objective lens surface on the optical pick-up block with 7 mm aperture.)

### Recording/playback time

Maximum 74 minutes (with MDW-74)

### Revolutions

400 rpm to 900 rpm (CLV)

### Error correction

Advanced Cross Interleave Reed Solomon Code (ACIRC)

### Sampling frequency

44.1 kHz

### Coding

Adaptive Transform Acoustic Coding (ATRAC)

### Modulation system

EFM (Eight-to-Fourteen Modulation)

### Number of programme positions

2 stereo programme positions

### Frequency response

20 - 20,000 Hz +1/-2 dB

### Signal-to-noise ratio

Over 80 dB (during playback)

### Wow and flutter

Below measurable limit

## General

### Speaker

Full-range : 8 cm (3 in.) dia., 4 ohms cone type (2)

### Inputs

LINE IN (stereo minijack): Sensitivity 436 mV/691 mV

### Outputs

Headphones jack (stereo minijack) (2):

For 32 ohms impedance headphones

### Maximum power output

7 W + 7 W

### Power requirements

For personal minidisc system:

230 V AC, 50 Hz

For remote commander:

3 V DC, 2 R6 (size AA) batteries

### Power consumption

30 W

### Dimensions (incl.projecting parts)

approx. 528 × 275 × 139 mm (w/h/d)

(20 7/8 × 10 7/8 × 5 1/2 inches)

### Mass

approx. 6.4 kg (14 lb. 2 oz)

### Supplied accessories

Remote commander (1)

MW/LW loop aerial (1)

Speaker nets (2)

## Optional accessories

### Sony MDR headphone series

U.S. and foreign patents licensed from Dolby Laboratories Licensing Corporation.

Design and specifications are subject to change without notice.

---

# Index

## A

- Adjusting
  - bass 54
  - treble 54
  - volume 5, 9, 11
- ATRAC 59
- AUTO PRESET 20

## B

- Batteries
  - for the remote commander 50

## C

- CD player 12
- Checking playing time
  - a CD 12
  - an MD 13
- Cleaning 56
- Clock 42
- Combine function 36
- Connection
  - aerial 50, 51
  - mains lead 49
  - optional components 52
- Creating your own program 17

## D

- Display 12-14
- Divide function 34

## E, F

- Editing 29
- Erase function 31
- Error message 64

## G

- Getting to know the MD 59

## H

- Hookups. *See* Connection

## I, J, K

- Improving broadcast reception 11

## L

- Listening to the radio 10
- Locating a specific point on a track 15
- Locating a specific track 15

## M

- MD player 12
- MEGA BASS 54
- Move function 38

## N, O

- Name function 39

## P, Q

- Playing
  - a CD 4
  - an MD 8
  - preset radio stations 22
  - tracks repeatedly 16
- Power sources 49
- Presetting radio stations 20
- Program Play 17

## R

- Radio stations
  - playing 10
  - presetting 20
- Recording
  - a CD 6, 27
  - on an MD 6, 27, 28
- Repeat Play 16

## S

- Serial copy management system 58
- Setting up 49
- Shuffle play 19
- System limitations 57

## T

- Timer
  - playback 44
  - recording 46
- Troubleshooting 61

## U, V, W, X, Y, Z

- Using
  - the display 12-14

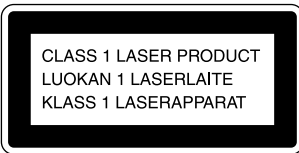


## Advertencia

Para evitar el riesgo de incendios o electrocución, no exponga el reproductor a la lluvia ni a la humedad.

Para evitar descargas eléctricas, no abra el aparato. Solicite asistencia técnica sólo a personal especializado.

## Información



Este reproductor de discos compactos y minidiscos está clasificado como producto láser de Clase 1.

La etiqueta CLASS 1 LASER PRODUCT está situada en la parte posterior.

## Advertencia

No instale el aparato en un espacio cerrado, como una estantería para libros o un armario empotrado.

## PRECAUCIÓN

Cuando utilice este reproductor por primera vez, o si no lo ha utilizado durante mucho tiempo, déjelo conectado a la toma mural durante una hora aproximadamente para que se cargue la pila de protección incorporada para el reloj, temporizador, emisoras de radio memorizadas, etc. Es posible utilizar el reproductor durante la carga.

Cuando desconecte el cable de alimentación de CA después de la carga, asegúrese de desactivar la alimentación del reproductor primero. Una vez cargada por completo, la duración de la pila de protección será de unos 30 minutos sin conectar la unidad a la fuente de alimentación de CA.

Si los datos almacenados se borran, vuelva a introducirlos cuando utilice el reproductor de nuevo.

## Operaciones básicas

- 4 Reproducción de CD
- 6 Grabación de un CD completo (Grabación sincronizada)
- 8 Reproducción de MD
- 10 Recepción de la radio

## Reproductor de CD•Reproductor de MD

- 12 Uso del visor
- 15 Localización de temas específicos
- 16 Reproducción repetida de temas (Reproducción repetida)
- 17 Creación de su propio programa (Reproducción de programa)
- 19 Reproducción de temas en orden aleatorio (Reproducción aleatoria)

## Radio

- 20 Memorización de emisoras de radio
- 22 Sintonización de emisoras de radio memorizadas

## Grabación

- 23 Grabación de los temas que escuche (Grabación sincronizada de un solo tema – Función REC IT)
- 24 Grabación de temas programados (Grabación sincronizada de los temas programados)
- 26 Grabación de la radio o de un CD
- 28 Grabación en un MD grabado

## Edición de temas grabados en el MD

- 29 Antes de editar
- 31 Borrado de grabaciones (Función de borrado)

- 34 División de temas grabados (Función de división)
- 36 Combinación de temas grabados (Función de combinación)
- 38 Desplazamiento de temas grabados (Función de desplazamiento)
- 39 Etiquetado de grabaciones (Función de nombre)

## Temporizador

- 42 Ajuste del reloj
- 44 Activación automática de la unidad
- 46 Grabación de programas de radio con temporizador
- 48 Desactivación automática de la unidad

## Instalación

- 49 Preparación del sistema
- 52 Conexión de componentes opcionales
- 54 Ajuste del énfasis de sonido

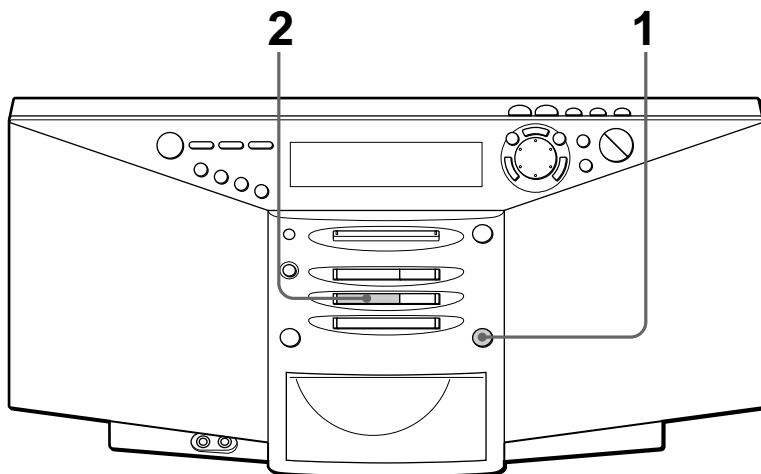
## Información complementaria

- 55 Precauciones
- 57 Limitaciones del sistema de MD
- 59 Descripción de los minidiscos
- 61 Solución de problemas
- 64 Mensajes de error
- 65 Especificaciones

Contraportada

Índice alfabético

# Reproducción de CD



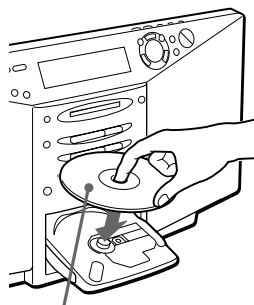
Conecte el cable de alimentación (consulte la página 49).

## 1

CD OPEN/CLOSE



Pulse ▲ CD OPEN/CLOSE (activación directa) y coloque el CD en la bandeja de CD hasta que quede encajado en su sitio.



Con el lado de la etiqueta hacia arriba

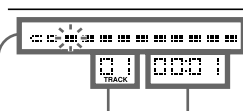
## 2



Pulse CD ►►.

La bandeja de CD se cierra y el reproductor reproduce todos los temas una vez.

Visor

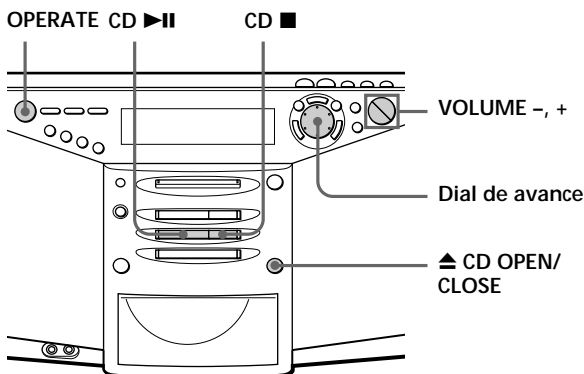


Puntero de posición

Número de tema

Tiempo de reproducción

### Utilice estos botones para realizar operaciones adicionales



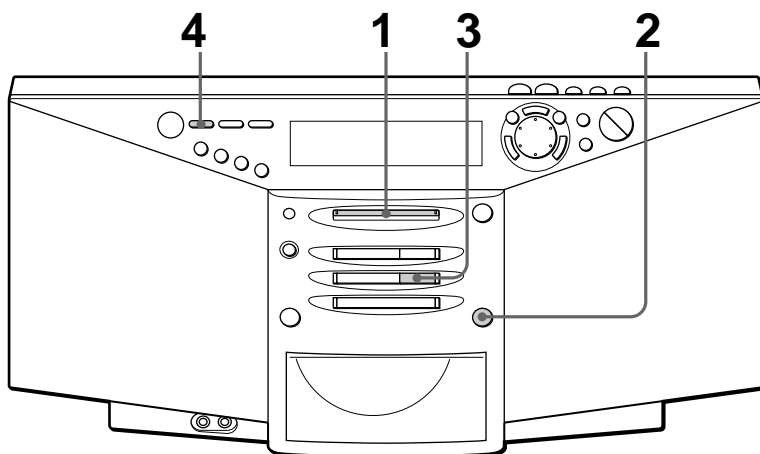
#### Consejos

- La próxima vez que desee escuchar un CD, bastará con pulsar CD ►||. El reproductor se encenderá automáticamente e iniciará la reproducción del CD.
- ¿Qué es el puntero de posición del visor? Muestra el punto del tema del CD que el reproductor está reproduciendo.

Para	Realice lo siguiente
ajustar el volumen	Pulse VOLUME +, - (VOL +, - en el mando a distancia).
detener la reproducción	Pulse CD ■.
introducir una pausa durante la reproducción	Pulse CD ►   (CD    en el mando a distancia). Vuelva a pulsar el botón para reanudar la reproducción después de la pausa.
pasar al tema siguiente	Gire el dial de avance en el sentido de las agujas del reloj. (En el mando a distancia, pulse ►  .)
retroceder al tema anterior	Gire el dial de avance en sentido contrario a las agujas del reloj. (En el mando a distancia, pulse ◀◀.)
extraer el CD	Pulse ▲ CD OPEN/CLOSE.
encender/apagar el reproductor	Pulse OPERATE.

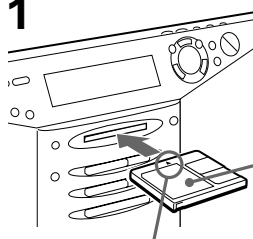
# Grabación de un CD completo

## (Grabación sincronizada)



Conecte el cable de alimentación (consulte la página 49).

**1**

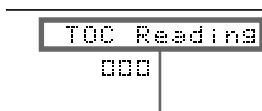


Inserte un MD grabable (activación directa).

Con el lado de la etiqueta hacia arriba

Inserte en la dirección de la flecha

Visor





Una vez mostrado "TOC Reading", el nombre del disco aparecerá si se ha etiquetado.

**2**

CD OPEN/CLOSE



Pulse  CD OPEN/CLOSE y coloque el CD en la bandeja de CD hasta que quede encajado en su sitio.

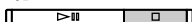
Vuelva a pulsar  CD OPEN/CLOSE para cerrar la bandeja de CD.



Con el lado de la etiqueta hacia arriba

**3**

CD



Pulse CD .



## 4

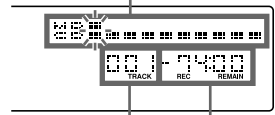


Pulse DISC ALL.

El reproductor inicia la grabación automáticamente.


Si el MD contiene grabaciones anteriores, la grabación se realizará a partir de la última posición grabada.

Puntero de posición (muestra la posición de reproducción en el CD y la de grabación en el MD)



Número de tema del MD      Tiempo de grabación restante del MD

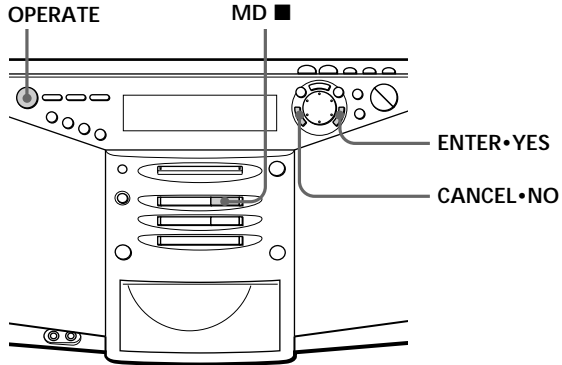
## Notas

-  Después de detener la grabación, no desconecte el cable de alimentación de CA ni mueva el reproductor mientras "TOC EDIT" parpadee en el visor. Si lo hace, es posible que la grabación no se realice correctamente.
- Al grabar un CD completo, no es posible realizar pausas durante la grabación.

## Consejos

- El ajuste del volumen o del énfasis de sonido (página 54) no afecta al nivel de grabación. Mantenga el volumen a un nivel moderado para evitar que se produzcan saltos de sonido.
- Para grabar sobre grabaciones anteriores, consulte la página 28.
- Una vez ajustado el reloj, se registrarán automáticamente la fecha y hora de grabación (página 42).

Utilice estos botones para realizar operaciones adicionales



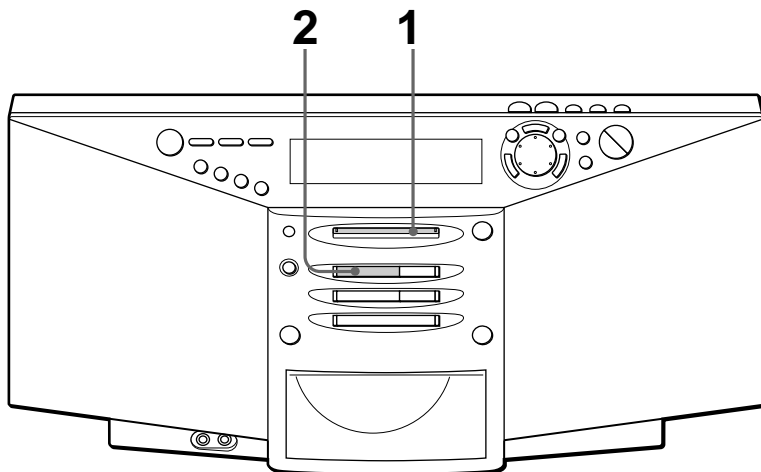
Para	Pulse
detener la grabación	MD ■ o CD ■
encender/apagar el reproductor	OPERATE

Si "CD>MD OK?" se alterna con la indicación de hora Significa que no hay espacio suficiente en el MD para grabar el CD completo.

Si desea grabar el máximo posible y cancelar la grabación de algunos temas, pulse ENTER•YES. Para detener la grabación, pulse CANCEL•NO.

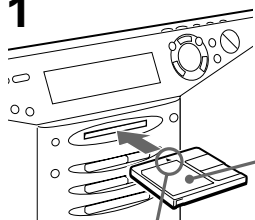
Si aparecen otros mensajes, consulte la página 64.

# Reproducción de MD



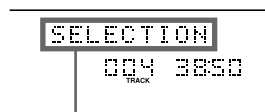
Conecte el cable de alimentación (consulte la página 49).

**1**



Inserte en la dirección de la flecha

Inserte el MD (activación directa). **Visor**



Una vez aparezca "TOC Reading", aparecerá el nombre del disco si se ha etiquetado.

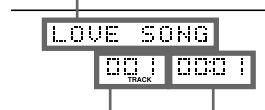
**2**



Pulse MD ►||.

El reproductor reproduce todos los temas una vez.

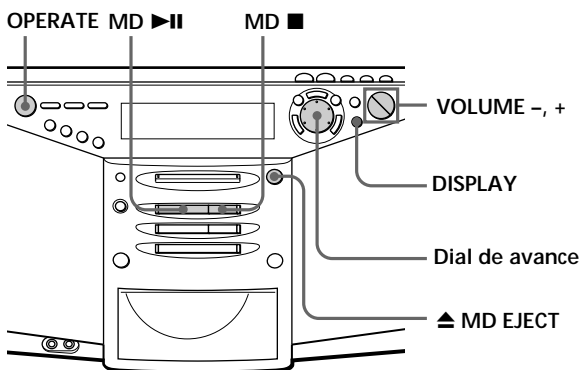
El nombre del tema aparecerá si se ha etiquetado.



Número del tema

Tiempo de reproducción

Utilice estos botones para realizar operaciones adicionales

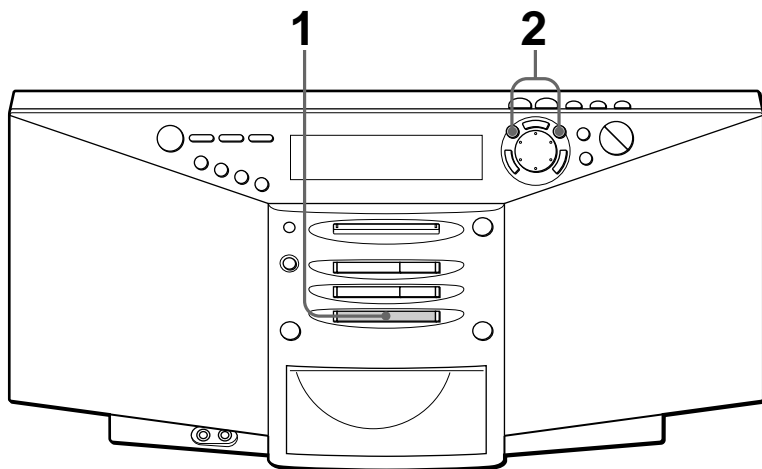


### Consejo

La próxima vez que desee escuchar un MD, bastará con pulsar MD ►||. El reproductor se encenderá automáticamente e iniciará la reproducción del MD.

Para	Realice lo siguiente
ajustar el volumen	Pulse VOLUME +, - (VOL +, - en el mando a distancia).
detener la reproducción	Pulse MD ■.
introducir pausas durante la reproducción	Pulse MD ►   (MD    en el mando a distancia). Pulse el botón de nuevo para reanudar la reproducción después de la pausa.
pasar al tema siguiente	Gire el dial de avance en el sentido de las agujas del reloj. (En el mando a distancia, pulse ►  .)
retroceder al tema anterior	Gire el dial de avance en sentido contrario a las agujas del reloj. (En el mando a distancia, pulse ◀◀.)
extraer el MD	Pulse ▲ MD EJECT.
encender/apagar el reproductor	Pulse OPERATE.
comprobar la posición de reproducción en el visor mediante el puntero de posición	Pulse DISPLAY.

# Recepción de la radio



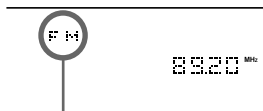
Conecte el cable de alimentación (consulte la página 49).

**1**



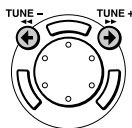
Pulse BAND hasta que el visor muestre la banda que desee (activación directa).

Visor



Aparece "FM", "MW" o "LW"

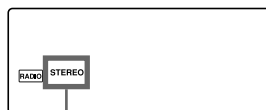
**2**



Mantenga pulsado TUNE + o TUNE - hasta que los dígitos de frecuencia comiencen a cambiar en el visor.

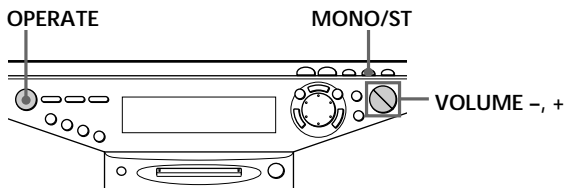
El reproductor explora automáticamente las frecuencias de radio y se detiene al encontrar una emisora con nitidez.

Si no puede sintonizar una emisora, pulse TUNE + o TUNE - varias veces hasta sintonizar la emisora deseada.



Indica emisiones de FM en estereo

Utilice estos botones para realizar operaciones adicionales



#### Consejos

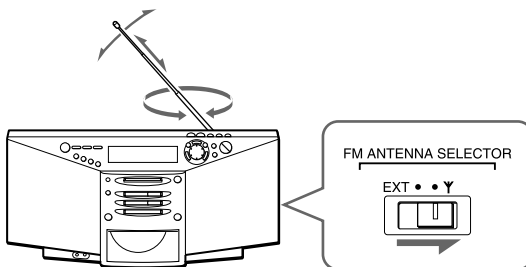
- Si la emisión en FM se oye con ruido, pulse MONO/ST (MODE en el mando a distancia) hasta que "MONO" aparezca en el visor. La emisión se oír en monofónico.
- La próxima vez que desee escuchar la radio, bastará con pulsar el botón BAND. El reproductor se encenderá automáticamente y reproducirá la emisora previamente sintonizada.

Para	Pulse
ajustar el volumen	VOLUME +,- (VOL +, - en el mando a distancia)
encender/apagar la radio	OPERATE

Para mejorar la recepción de la emisión FM:

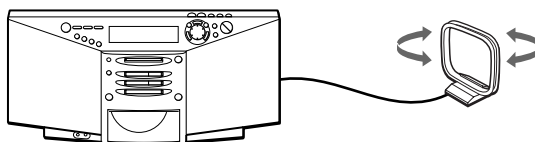
Ajuste el selector FM ANTENNA SELECTOR de la parte posterior del reproductor en "Ψ" (antena telescópica).

Reoriente la antena para FM.



MW/LW:

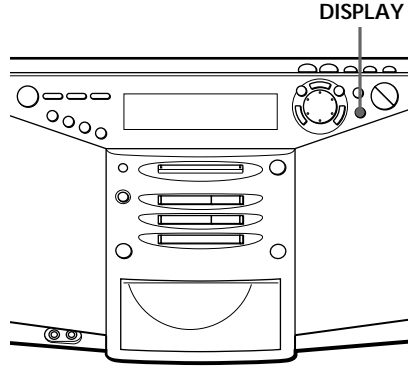
Mantenga la antena cerrada de MW/LW lo más alejada posible del reproductor y reoriente la.



Si la emisión aún se recibe con ruido, conecte la antena externa (página 50).

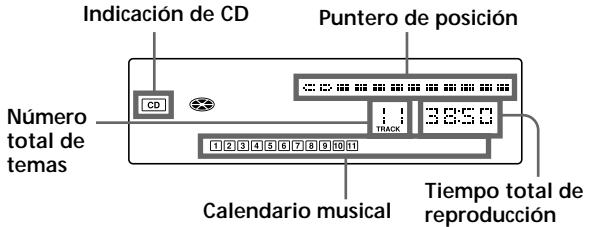
# Uso del visor

Es posible comprobar información sobre el CD y el MD mediante el visor.



## Durante la parada (CD)

Aparecen el número de temas y el tiempo de reproducción totales.



Si el CD contiene más de 20 temas, el visor mostrará "OVER 20".

## Durante la reproducción (CD)

Aparecen el número del tema actual y el tiempo de reproducción. Los números de los temas del calendario musical desaparecen una vez reproducidos.

**Nota**

Durante la reproducción repetida (página 16), de programa (página 17) y aleatoria (página 19), el número de temas restantes y tiempo restante del CD no aparecerán.

**Consejo**

El nombre del disco aparece sólo con minidisos etiquetados electrónicamente.

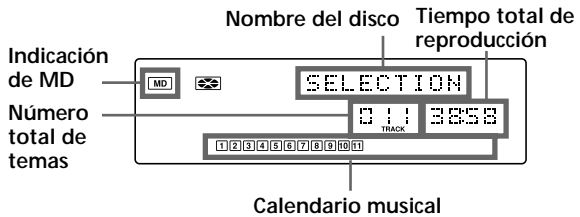
**Para comprobar el tiempo restante**

Pulse DISPLAY.

Para mostrar	Pulse DISPLAY
el número del tema actual y el tiempo restante del mismo	una vez
el tiempo y número de temas restantes del CD	dos veces
el tiempo de reproducción y número del tema actual	tres veces

**Durante la parada (MD)**

Aparecen el número de temas y tiempo de reproducción totales.



Si el MD contiene más de 20 temas, "OVER 20" aparecerá en el visor.

**Para comprobar el tiempo de grabación restante del MD**

Pulse DISPLAY.

El puntero de posición también aparece en el visor.

continúa

### Nota

Durante la reproducción repetida (página 16), de programa (página 17) y aleatoria (página 19), el número de temas restantes y tiempo restante del MD no aparecerán.

### Durante la reproducción (MD)

Aparecen el número del tema actual, el tiempo de reproducción y el nombre del tema. Los números de tema del calendario musical desaparecen una vez reproducidos.

**Para comprobar el tiempo restante, fecha y hora de grabación, etc.**

Pulse DISPLAY.

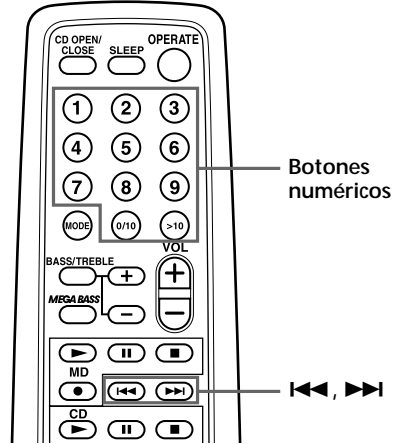
Para mostrar	Pulse DISPLAY
el número del tema actual, tiempo restante del mismo y puntero de posición	una vez
el tiempo y número de temas restantes del MD y nombre del disco	dos veces
fecha y hora de grabación*	tres veces
el número del tema actual, tiempo de reproducción y nombre del tema	cuatro veces

\* Una vez ajustado el reloj, la fecha y hora de grabación quedarán registradas automáticamente (página 42).



# Localización de temas específicos

Es posible localizar rápidamente cualquier tema de un CD o de un MD mediante los botones numéricos. También es posible localizar un punto específico de un tema mientras se reproduce un CD o un MD.



## Nota

No es posible localizar un tema específico si "REPEAT PGM", "REPEAT SHUFFLE", "PGM" o "SHUFFLE" está iluminado en el visor. Desactive la indicación pulsando ■.

## Consejos

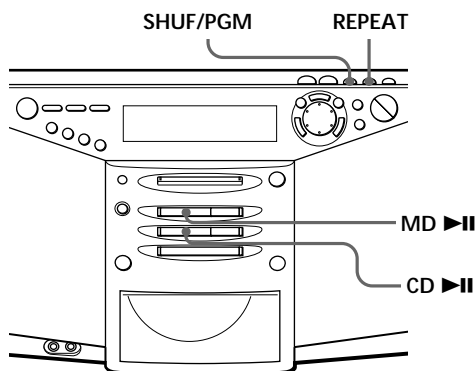
- Para localizar un tema de número superior a 10, pulse >10 primero y, a continuación, los botones numéricos correspondientes.  
Ejemplo:  
Para reproducir el tema número 23, pulse >10 primero y, a continuación, 2 y 3.  
Para reproducir el tema número 10, puede utilizar el botón 0/10, así como >10, 1 y 0.
- Para seleccionar un tema de un MD de número 100 o superior, pulse >10 dos veces y, a continuación, los botones numéricos correspondientes.

Para localizar	Pulse
un tema específico directamente	el botón numérico del tema.
un punto mientras escucha el sonido	▶▶ (hacia delante) o ◀◀ (hacia atrás) durante la reproducción y manténgalo pulsado hasta que encuentre el punto. (En el reproductor, utilice ▶▶ o ◀◀.)
un punto mientras observa el visor	▶▶ (hacia delante) o ◀◀ (hacia atrás) en el modo de pausa y manténgalo pulsado hasta que encuentre el punto. (En el reproductor, utilice ▶▶ o ◀◀.)

# Reproducción repetida de temas

(Reproducción repetida)

Es posible reproducir temas de forma repetida en los modos de reproducción normal, aleatoria o de programa (página 17).



En el mando a distancia

- Durante la reproducción, pulse MODE varias veces hasta que “REPEAT 1” o “REPEAT” aparezca en el visor. Durante la reproducción, no es posible seleccionar “REPEAT SHUFFLE” o “REPEAT PGM”.
- También es posible seleccionar la reproducción repetida durante la parada. Pulse MODE varias veces hasta que “REPEAT 1”, “REPEAT”, “REPEAT SHUFFLE” o “REPEAT PGM” aparezca en el visor. Después, reproduzca el CD o el MD.

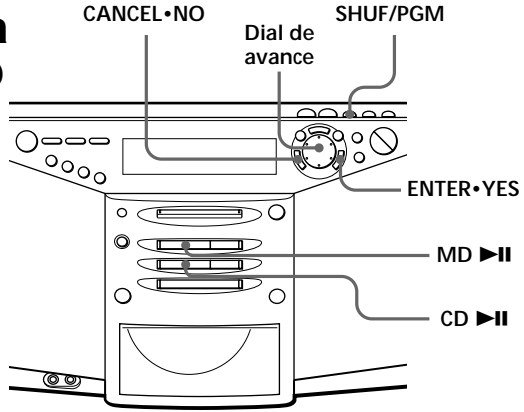
Para repetir	Realice lo siguiente
un solo tema	<ol style="list-style-type: none"> <li>1 Reproduzca el tema que desee.</li> <li>2 Pulse REPEAT varias veces hasta que “REPEAT 1” aparezca en el visor.</li> </ol>
todos los temas	<ol style="list-style-type: none"> <li>1 Inicie la reproducción normal.</li> <li>2 Pulse REPEAT varias veces hasta que “REPEAT” aparezca en el visor.</li> </ol>
temas en orden aleatorio	<ol style="list-style-type: none"> <li>1 Inicie la reproducción aleatoria (página 19).</li> <li>2 Pulse REPEAT varias veces hasta que “REPEAT SHUFFLE” aparezca en el visor.</li> </ol>
temas programados	<ol style="list-style-type: none"> <li>1 Inicie la reproducción de programa (página 17).</li> <li>2 Pulse REPEAT varias veces hasta que “REPEAT PGM” aparezca en el visor.</li> </ol>

## Para cancelar la reproducción repetida

Primero detenga la reproducción. Después, pulse REPEAT hasta que “REPEAT” desaparezca del visor.

# Creación de su propio programa (Reproducción de programa)

Es posible establecer el orden de reproducción de un máximo de 20 temas de un CD o de un MD.



**En el mando a distancia**  
Pulse MODE hasta que "PGM" aparezca en el visor, y después pulse el botón numérico para seleccionar el tema.

**Consejo**

Si comete un error, pulse CANCEL•NO y vuelva a introducir el número de tema girando el dial de avance, y pulse ENTER•YES.

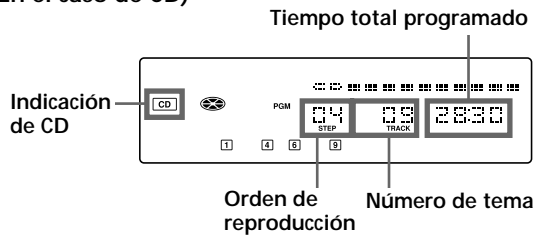
Antes de comenzar, compruebe que el reproductor de CD o de MD se encuentre en el modo de parada.

- 1 Pulse SHUF/PGM hasta que "PGM" aparezca en el visor.
- 2 Gire el dial de avance para seleccionar el tema que desee programar, y pulse ENTER•YES.

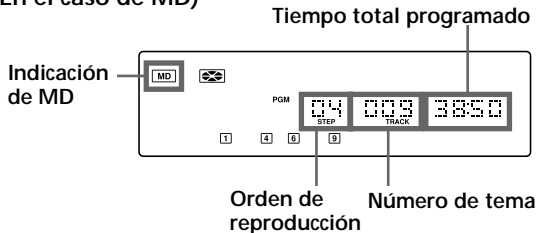
Repita este paso.

Los temas programados aparecen en el calendario musical.

(En el caso de CD)



(En el caso de MD)



continúa

## Creación de su propio programa (Reproducción de programa) (continuación)

### Consejos

- Al finalizar la reproducción de programa, éste se almacena. Es posible volver a reproducir el mismo programa pulsando ►II.
- Si abre la bandeja de CD, el programa se borrará.
- Si extrae el MD, el programa se borrará.
- Durante la reproducción, no es posible mostrar el tiempo total programado.

**3** Pulse CD ►II ( o MD ►II) para iniciar la reproducción de programa.

### Para cancelar la reproducción de programa

Primero detenga la reproducción. Después, pulse SHUF/PGM hasta que “PGM” desaparezca del visor.

### Para comprobar el orden de los temas antes de la reproducción

Antes de iniciar la reproducción de programa, pulse ENTER•YES.

“PGM Check” aparece en el visor. Cada vez que pulse ENTER•YES, aparecerá el número de tema en el orden programado.

### Para cambiar el programa actual

Cámbielo antes de iniciar la reproducción de programa.

Para	Realice lo siguiente
borrar el último tema del programa	<ol style="list-style-type: none"><li>1 Pulse CANCEL•NO. Se borrará el último tema programado.</li><li>2 Vuelva a introducir los números de tema girando el dial de avance y pulsando ENTER•YES.</li></ol>
cambiar todo el programa por completo	<ol style="list-style-type: none"><li>1 Pulse ■ para borrar el programa completo.</li><li>2 Cree un programa nuevo siguiendo el procedimiento de programación.</li></ol>

# Reproducción de temas en orden aleatorio

(Reproducción aleatoria)

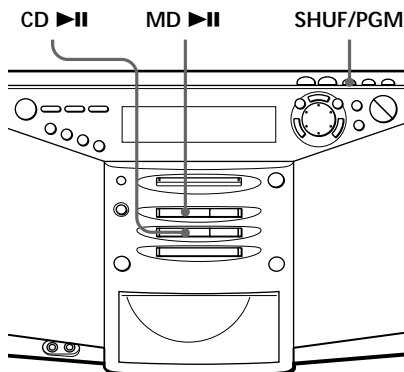
Es posible reproducir temas en orden aleatorio.

## Consejo

Durante la reproducción aleatoria, no es posible seleccionar el tema anterior girando el dial de avance (o pulsando **⏪** en el mando a distancia).

## En el mando a distancia

Pulse MODE hasta que "SHUFFLE" aparezca en el visor.



Antes de comenzar, compruebe que el reproductor de CD o de MD se encuentre en el modo de parada.

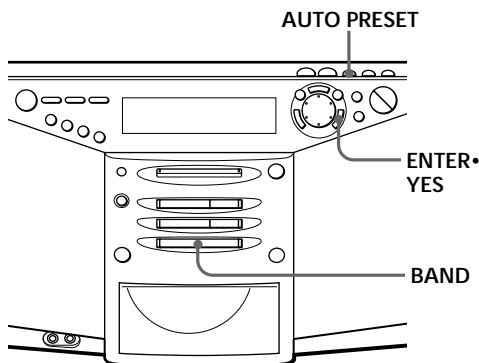
- 1** Pulse SHUF/PGM hasta que "SHUFFLE" aparezca en el visor.
- 2** Pulse CD **>>||** (o MD **>>||**) para iniciar la reproducción aleatoria.

## Para cancelar la reproducción aleatoria

Primero detenga la reproducción. Después, pulse SHUF/PGM hasta que "SHUFFLE" desaparezca del visor.

# Memorización de emisoras de radio

Es posible almacenar un máximo de 36 emisoras de radio en la memoria del reproductor (12 para cada banda) en cualquier orden.



- 1 Pulse BAND hasta que el visor muestre la banda que desee.
- 2 Mantenga pulsado AUTO PRESET hasta que “AUTO PRESET” parpadee en el visor.

Las emisoras se almacenan en la memoria a partir de las frecuencias inferiores (a partir del número de memorización 1, en orden numérico), siempre que la emisora tenga una señal suficientemente intensa.

Cuando finalice el proceso de memorización, la emisora almacenada en el número de memorización 1 se sintonizará automáticamente.

En el mando a distancia

- 1 Pulse BAND hasta que el visor muestre la banda que desee.
- 2 Pulse TUNE + o - hasta sintonizar la emisora que desee.
- 3 Mantenga pulsado durante 2 segundos el botón numérico en el que desee almacenar la nueva emisora.

Para seleccionar el número de memorización 11 o 12, pulse primero >10 y, a continuación, 1 o 2.

## Si no es posible memorizar alguna emisora automáticamente

Será necesario memorizar manualmente las emisoras de señal débil. Igualmente, si desea sustituir una emisora memorizada con otra nueva, realice lo siguiente:

- 1 Pulse BAND hasta que la banda que desee aparezca en el visor.
- 2 Pulse TUNE + o - varias veces hasta sintonizar la emisora que desee y, a continuación, mantenga pulsado ENTER•YES durante 2 segundos.
- 3 Seleccione el número de memorización en el que desee almacenar la nueva emisora; para ello, gire el dial de avance.
- 4 Pulse ENTER•YES.

La nueva emisora sustituye a la anterior.

### Para asignar nombre a la emisora

- 1 De acuerdo con el procedimiento de la página 22, sintonice la emisora a la que desee asignar nombre.
- 2 Pulse EDIT durante 2 segundos.
- 3 Introduzca el nombre de la emisora (máximo de 9 caracteres).

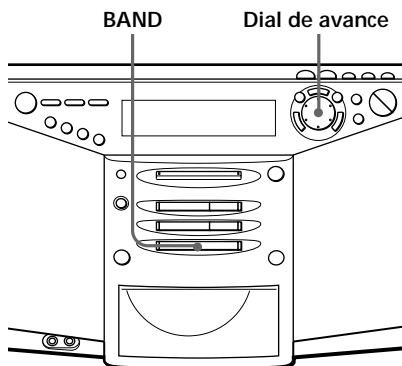
Para más información, consulte los pasos 4 a 8 de las páginas 39 y 40.

Para	Realice lo siguiente
desplazar el cursor	Pulse $\leftarrow$ o $\rightarrow$ .
seleccionar los caracteres	Gire el dial de avance.
borrar caracteres	Pulse DELETE.
insertar caracteres	Utilice INSERT.

- 4 Pulse ENTER • YES.

# Sintonización de emisoras de radio memorizadas

Una vez memorizadas las emisoras, emplee los botones numéricos del mando a distancia o el dial de avance del reproductor para sintonizar sus emisoras preferidas.



## En el mando a distancia

Para mostrar el número de memorización deseado en el paso 2, utilice los botones numéricos.

Para seleccionar el número de memorización 10:

Pulse 0/10.

Para seleccionar el número de memorización 11 o 12:

Pulse >10 primero y, a continuación, 1 o 2.

- 1** Pulse BAND hasta que el visor muestre la banda que desee.
- 2** Gire el dial de avance para mostrar el número de memorización de la emisora deseada.



## Antes de editar

En el MD, las marcas de temas se insertan entre los temas. Es posible encontrar el principio de éstos rápidamente mediante dichas marcas. Puede cambiar las posiciones de las marcas de tema. Por ejemplo, puede dividir un determinado tema en varios mediante la adición de marcas. También es posible combinar varios temas para obtener otro nuevo más extenso mediante la eliminación de varias marcas de temas.

**La posición de las marcas de tema que se añaden es diferente en función del tipo de grabación o de las condiciones de ésta**

Tipo de grabación	Posición de las marcas de tema que se añaden
Grabación de un CD completo (página 6)	Las mismas posiciones en el CD fuente
Grabación de un CD mediante el botón REC (página 27)	<ul style="list-style-type: none"> <li>• Las mismas posiciones en el CD fuente</li> <li>• La posición en la que introduzca pausas durante la grabación</li> <li>• La posición donde pulse REC</li> </ul>
Grabación de la radio o de otro equipo conectado al reproductor (páginas 26 y 52)	<ul style="list-style-type: none"> <li>• Cuando no se introduce sonido o un sonido suave continúa durante más de dos segundos mientras graba</li> <li>• Las posiciones en las que introduzca pausas durante la grabación</li> <li>• Las posiciones donde pulse REC</li> </ul>

Es posible añadir o borrar marcas de tema después de la grabación. Al grabar, por ejemplo, de la radio o de otro equipo conectado al reproductor, es posible que se añadan marcas de tema en posiciones que no desee. Si esto ocurre, cambie las posiciones de las marcas a las que desee.

### Cambie las marcas de tema correctamente

- Para borrar una marca de tema → “Combinación de temas grabados (Función de combinación)” (página 36): Es posible combinar dos temas en uno solo borrando la marca existente entre los dos temas.
- Para añadir una marca de tema → “División de temas grabados (Función de división)” (página 34): Es posible dividir un tema en dos temas añadiendo una marca de tema.

continúa

---

## Antes de editar (continuación)

También es posible utilizar las siguientes funciones

- Borrado de un solo tema → “Borrado de grabaciones (Función de borrado)” (página 31)
- Borrado de todos los temas de un MD → “Borrado de grabaciones (Función de borrado)” (página 32)
- Cambio del orden de los temas → “Desplazamiento de temas grabados (Función de desplazamiento)” (página 38)
- Localización de un punto del tema rápidamente → “División de temas grabados (Función de división)” (página 34)
- Combinación de varias partes grabadas independientemente en un solo tema → “Borrado de grabaciones (Función de borrado)” (página 31) y “Combinación de temas grabados (Función de combinación)” (página 36)

### Nota



Después de detener la grabación, no desconecte el cable de alimentación de CA ni mueva el reproductor mientras “TOC EDIT” parpadea en el visor. Si lo hace, es posible que la grabación no se realice correctamente.

# Borrado de grabaciones

(Función de borrado)

Es posible borrar rápidamente los temas grabados o partes innecesarias del tema. Al contrario de lo que ocurre con las grabadoras de cassettes, las partes en blanco no se conservan después del borrado.

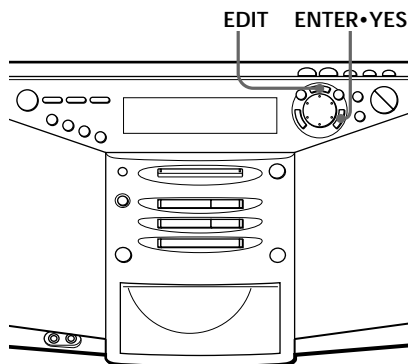
A continuación, se ofrecen tres opciones para borrar grabaciones:

- Borrado de un solo tema
- Borrado de todos los temas de un MD
- Borrado de una parte de un tema

## Notas

- Si “Protected” aparece en el visor, significa que la lengüeta del MD se encuentra en la posición de protección contra grabación (página 56).

- **TOC EDIT** Después de detener la grabación, no desconecte el cable de alimentación de CA ni mueva el reproductor mientras “TOC EDIT” parpadea en el visor. Si lo hace, es posible que la grabación no se realice correctamente.



## Borrado de un solo tema

Es posible borrar rápidamente un tema completo. Al borrarlo, el número total de temas del MD disminuye en uno y todos los temas a continuación del borrado se reenumeran.

- 1** Reproduzca el tema que desee borrar.
- 2** Pulse EDIT varias veces hasta que “Track Erase” aparezca en el visor.
- 3** Pulse ENTER•YES.  
“Erase OK?” aparece en el visor, y se inicia la reproducción repetida de un solo tema. Una vez borrado el tema, no es posible recuperarlo. Asegúrese de comprobar el contenido del tema que vaya a borrar.

Si desea cancelar la función de borrado en este punto:

Pulse CANCEL•NO o MD ■.

- 4** Pulse ENTER•YES.  
“Complete” aparece en el visor durante unos segundos, y el tema actual se borrará.

continúa

### Nota

**TOC  
EDIT**

Después de detener la grabación, no desconecte el cable de alimentación de CA ni mueva el reproductor mientras "TOC EDIT" parpadea en el visor. Si lo hace, es posible que la grabación no se realice correctamente.

### Borrado de todos los temas de un MD

Es posible borrar simultáneamente el nombre del disco, todos los temas grabados y sus nombres. Una vez borrados todos los temas del MD, puede utilizarlo como un MD nuevo.

**1** Con el reproductor parado, pulse EDIT varias veces hasta que "All Erase" aparezca en el visor.

**2** Pulse ENTER•YES.

"Erase OK?" aparece en el visor. Una vez borrado el tema, no es posible recuperarlo. Asegúrese de comprobar el contenido del tema que vaya a borrar.

Si desea cancelar la función de borrado en este punto:

Pulse CANCEL•NO o MD ■.

**3** Pulse ENTER•YES.

Cuando "TOC EDIT" desaparezca del visor, aparecerá "Blank Disc", y todo el contenido del MD se borrará.

## Nota

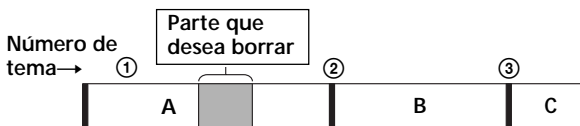
**TOC  
EDIT**

Después de detener la grabación, no desconecte el cable de alimentación de CA ni mueva el reproductor mientras "TOC EDIT" parpadea en el visor. Si lo hace, es posible que la grabación no se realice correctamente.

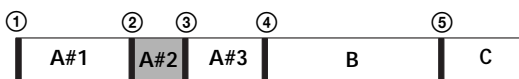
## Borrado de una parte de un tema

Mediante el empleo de las funciones de división (página 34), borrado (página 31) y combinación (página 36), es posible borrar partes específicas de un tema.

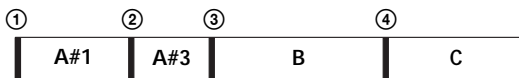
Ejemplo: Borrado de una parte del tema A



**1** Divida A en tres partes (página 34).



**2** Borre A#2 (página 31).



**3** Combine A#1 y A#3 (página 36).



# División de temas grabados

(Función de división)

Al grabar de la radio, etc., es posible que las marcas de tema no se añadan correctamente, y que varios temas se incluyan en un solo tema. Es posible dividir dichos temas en temas independientes, y añadir una marca de tema nueva en cada uno de éstos. Todos los temas a continuación de los temas divididos se reenumeran.

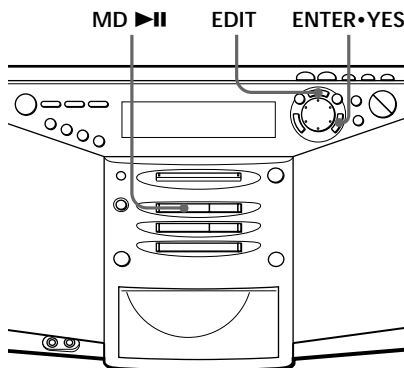
## Consejos

- Para poner juntos los temas divididos, consulte “Combinación de temas grabados” en la página 36.
- Para dividir un tema durante la grabación, pulse REC en el punto donde desee añadir la marca de tema.

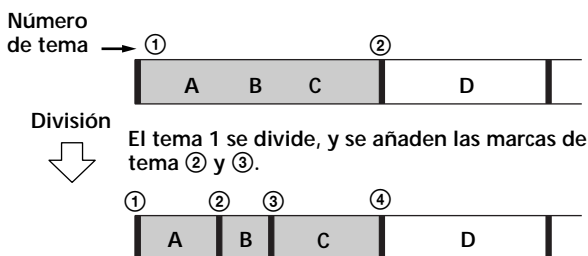
## Nota

Si “Sorry” aparece en el visor, no será posible dividir el tema.

Si repite la edición en el MD, es posible que no pueda dividir temas. Esto se debe a las limitaciones del sistema de MD (página 57), y no a un fallo de funcionamiento.



Ejemplo: División del tema 1 en tres temas



- 1** Mientras se reproduce el MD, pulse MD ►|| en el punto donde desee crear un tema nuevo.  
El reproductor entra en el modo de pausa.
- 2** Pulse EDIT varias veces hasta que “Divide” aparezca en el visor.
- 3** Pulse ENTER•YES.  
“Divide OK?” aparece en el visor.

Si desea cancelar la función de división en este punto:

Pulse CANCEL•NO o MD ■.

## Nota



Después de detener la grabación, no desconecte el cable de alimentación de CA ni mueva el reproductor mientras "TOC EDIT" parpadea en el visor. Si lo hace, es posible que la grabación no se realice correctamente.

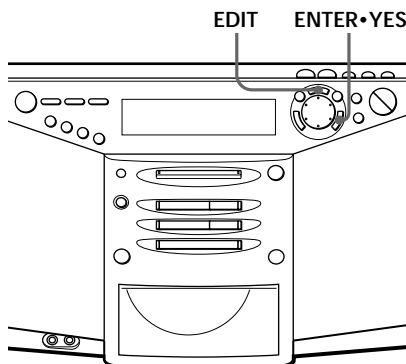
**4** Pulse ENTER • YES.

"Complete" aparece en el visor durante unos segundos después de dividirse el tema. El tema original tiene el nombre de tema, mientras que el nuevo no tiene nombre (esto ocurre sólo si el tema dividido tiene nombre). Se añade un tema al calendario musical.

# Combinación de temas grabados

(Función de combinación)

Es posible combinar dos temas adyacentes en uno solo. Mediante la función de combinación, es posible combinar varias grabaciones fragmentadas o eliminar las marcas de tema innecesarias. Todos los temas a continuación del combinado se reenumeran.



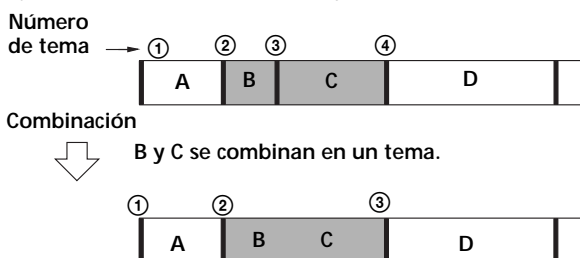
## Notas

- Si "Sorry" aparece en el visor, significa que no es posible combinar los temas.

Si repite la edición en el MD, es posible que no pueda combinar los temas. Esto se debe a las limitaciones del sistema de MD (página 57), y no a un fallo de funcionamiento.

- Si "Cannot Edit" aparece en el visor, es posible que esté intentando combinar los temas en el primero de ellos. No es posible utilizar la función de combinación en el primer tema.

Ejemplo: Combine los temas B y C



- 1 Reproduzca el tema que desee combinar.

Ejemplo: Para combinar los temas B y C, reproduzca el tema C.

- 2 Pulse EDIT varias veces hasta que "Combine" aparezca en el visor.

- 3 Pulse ENTER•YES.

"Combine OK?" aparece en el visor, y el reproductor entra en el modo de pausa de reproducción.

Si desea cancelar la función de combinación en este punto:

Pulse CANCEL•NO o MD ■.



## Nota



Después de detener la grabación, no desconecte el cable de alimentación de CA ni mueva el reproductor mientras "TOC EDIT" parpadea en el visor. Si lo hace, es posible que la grabación no se realice correctamente.

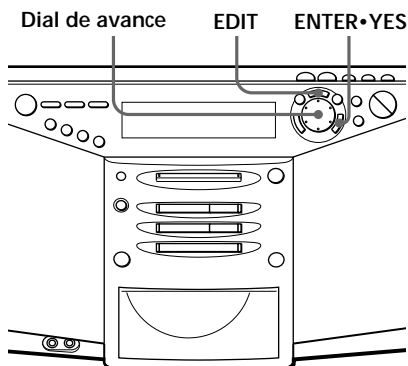
## 4 Pulse ENTER•YES.

"Complete" aparece en el visor durante unos segundos después de combinarse los temas. Si los dos temas combinados tienen nombre, se borrará el nombre del tema posterior. El número total de temas del calendario musical disminuye en uno.

# Desplazamiento de temas grabados

(Función de desplazamiento)

Es posible cambiar el orden de los temas. Después de desplazar el tema, los números de tema se reenumeran automáticamente.

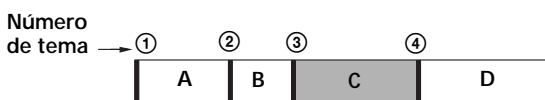


## Nota

**TOC EDIT**

Después de detener la grabación, no desconecte el cable de alimentación de CA ni mueva el reproductor mientras "TOC EDIT" parpadea en el visor. Si lo hace, es posible que la grabación no se realice correctamente.

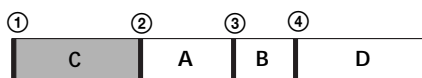
Ejemplo: Desplazamiento de C a la posición del tema 1



Desplazamiento



El número de tema de C cambia a 1

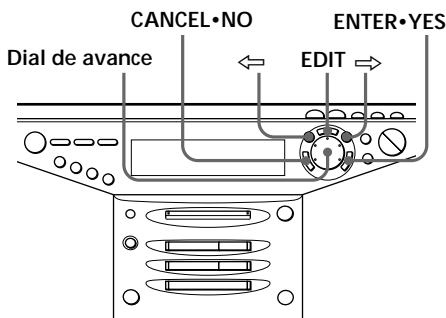


- 1 Reproduzca el tema que desee desplazar.
- 2 Pulse EDIT varias veces hasta que "Track Move" aparezca en el visor.
- 3 Pulse ENTER•YES.  
"→Track 003?" aparece en el visor, y se inicia la reproducción repetida de un solo tema.
- 4 Gire el dial de avance para seleccionar la nueva posición de tema.  
Si desea cancelar la función de desplazamiento en este punto:  
Pulse CANCEL•NO o MD ■.
- 5 Pulse ENTER•YES.  
"Complete" aparece en el visor durante unos segundos después de desplazarse el tema.

# Etiquetado de grabaciones

(Función de nombre)

Es posible etiquetar con letras, números y símbolos los minidiscos y los temas grabados. Cada etiqueta puede componerse de un máximo de 100 caracteres. Es posible introducir hasta 1.700 caracteres aproximadamente en cada MD.



## Etiquetado de minidiscos

- 1 Inserte el MD que desee etiquetar, y detenga la reproducción de MD.
- 2 Pulse EDIT varias veces hasta que “Disc Name” aparezca en el visor.
- 3 Pulse ENTER•YES.  
Si ya se ha etiquetado el nombre del disco, éste aparecerá en el visor.
- 4 Pulse DISPLAY varias veces para seleccionar el tipo de caracteres.

Cada vez que pulse DISPLAY, el carácter cambia de la siguiente forma: Mayúsculas → Minúsculas → Números y símbolos.

Es posible utilizar los siguientes caracteres:

Tipo de caracteres	Caracteres (símbolos)
Mayúsculas	ABCD.....WXYZ',/: □ (espacio)
Minúsculas	abcd.....wxyz',/: □ (espacio)
Números y símbolos	0123456789!"#\$%&()*+,-./:;<=>? @_`+ -',/:□ (espacio)

continúa

## Etiquetado de grabaciones (Función de nombre) (continuación)

### Nota



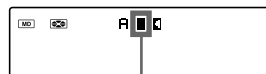
Después de detener la grabación, no desconecte el cable de alimentación de CA ni mueva el reproductor mientras "TOC EDIT" parpadea en el visor. Si lo hace, es posible que la grabación no se realice correctamente.

**5** Gire el dial de avance en el sentido de las agujas del reloj o en el contrario para seleccionar los caracteres.

**6** Pulse ⇨.

El cursor se desplaza hacia la derecha y espera a que introduzca el siguiente carácter.

Visor



Cursor

**7** Repita los pasos 4 a 6 para completar el nombre.

**8** Pulse ENTER•YES.

El nombre se ha registrado en el MD.

### Etiquetado de temas

**1** Reproduzca el tema que desee etiquetar.

**2** Pulse EDIT varias veces hasta que "Track Name" aparezca en el visor.

**3** Pulse ENTER•YES.

Se inicia la reproducción repetida de un solo tema. Si ya se ha registrado el nombre del tema, éste aparecerá en el visor.

**4** Introduzca los caracteres de acuerdo con los pasos 4 a 8 de "Etiquetado de minidiscos".

El nombre se ha registrado en el tema.

**Para cambiar los caracteres****• Para añadir caracteres después de los existentes**

- ① Desplace el cursor hacia la derecha del último carácter mediante ⇒.
- ② Gire el dial de avance para seleccionar el carácter.
- ③ Pulse ENTER•YES.

**• Para cambiar los caracteres**

- ① Desplace el cursor hasta el carácter que desee cambiar mediante ⇒.
- ② Gire el dial de avance para seleccionar el carácter.
- ③ Pulse ENTER•YES.

**• Para eliminar el carácter**

- ① Desplace el cursor hasta el carácter que desee eliminar mediante ⇒.
- ② Pulse DELETE. Si pulsa DELETE varias veces, los caracteres se eliminarán uno tras otro.
- ③ Pulse ENTER•YES.

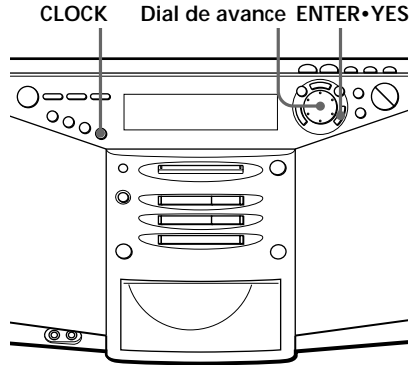
**• Para insertar un carácter**

- ① Desplace el cursor hasta la posición en la que desee añadir un carácter mediante ⇒.
- ② Pulse INSERT para introducir un espacio entre los caracteres.
- ③ Gire el dial de avance para seleccionar el carácter.
- ④ Pulse ENTER•YES.

# Ajuste del reloj

Las indicaciones “- -y - -m - -d” y “- -: - -” aparecen en el visor hasta que ajuste el reloj.

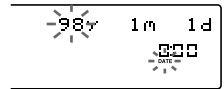
Una vez ajustado el reloj, la fecha y hora de grabación se registran automáticamente (páginas 7, 23 y 25).



## Consejos

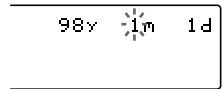
- El sistema de visualización de hora de este reproductor es el de 24 horas.
- Es posible ajustar el reloj de este reproductor cuando se desee, independientemente de si la alimentación esté activada o desactivada.

**1** Pulse y mantenga pulsado CLOCK hasta que los dígitos de año parpadeen.

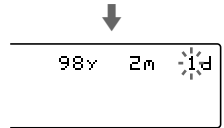


**2** Ajuste la fecha.

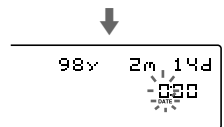
① Gire el dial de avance para ajustar el año y pulse ENTER•YES.



② Gire el dial de avance para ajustar el mes y pulse ENTER•YES.



③ Gire el dial de avance para ajustar el día y pulse ENTER•YES.



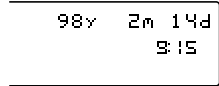
**3** Ajuste la hora.

① Gire el dial de avance para ajustar la hora y pulse ENTER•YES.

② Gire el dial de avance para ajustar los minutos y pulse ENTER•YES.

**4** Pulse ENTER • YES.

El reloj se pone en funcionamiento a partir de 00 segundos.



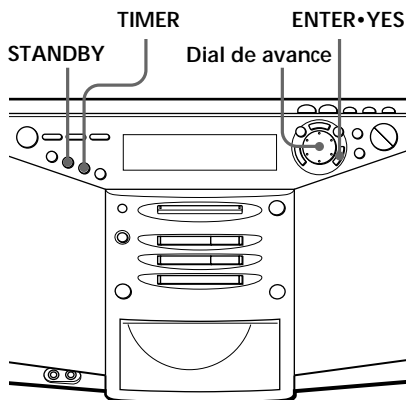
**Para mostrar la hora**

Pulse CLOCK. Para recuperar la indicación anterior, vuelva a pulsar CLOCK. Mientras la alimentación esté desactivada, se mostrará la indicación de hora.

# Activación automática de la unidad

Es posible despertarse con música o con un programa de radio a una hora programada.

Compruebe que ha ajustado el reloj (consulte “Ajuste del reloj”, página 42).



## Nota

No es posible programar el temporizador de activación automática y el de grabación (página 46) a la misma hora.

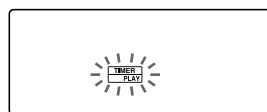
Antes de comenzar, compruebe que el visor no muestre “TIMER PLAY” o “TIMER REC”. Si alguna de estas indicaciones se muestra, pulse STANDBY.

- 1 Prepare la fuente de música que desee reproducir.

Fuente	Realice lo siguiente
CD	Inserte un CD.
MD	Inserte un MD.
RADIO	Sintonice la emisora.
LINE	Encienda el equipo conectado a LINE IN.

- 2 Pulse TIMER.

“TIMER PLAY” o “TIMER REC” parpadea en el visor.



Realice los siguientes ajustes comprobando las indicaciones del visor.

- 3 Gire el dial de avance hasta que “TIMER PLAY” parpadee en el visor, y pulse ENTER•YES. “MD”, “CD”, “RADIO” o “LINE” parpadea en el visor.
- 4 Gire el dial de avance hasta que el visor muestre la fuente de música que desee reproducir (“MD”, “CD”, “RADIO” o “LINE”), y pulse ENTER•YES.



**Consejo**

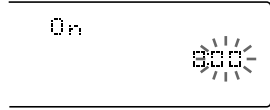
Si comete un error, pulse CANCEL • NO. El último ajuste introducido se borrará. Vuelva a introducirlo.

**Consejos**

- Para salir del modo de espera, pulse STANDBY para que “TIMER PLAY” o “TIMER REC” desaparezca del visor.
- Los ajustes programados se conservan hasta que vuelva a ajustarlos.
- Mientras que la indicación ☹ se muestre en el visor, el reproductor se encontrará en el modo de temporizador.

**5** Ajuste el temporizador a la hora y los minutos a los que desee que se active la música.

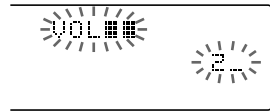
- ① Gire el dial de avance para ajustar la hora y pulse ENTER • YES.



- ② Gire el dial de avance para ajustar los minutos y pulse ENTER • YES.

**6** Ajuste el temporizador a la hora y los minutos a los que desee que se desactive la música (realice la misma operación que en el paso 5).

- 7** Gire el dial de avance para ajustar el volumen que desee, y pulse ENTER • YES.



**8** Pulse STANDBY.

“TIMER PLAY” se ilumina, y el reproductor entra en el modo de espera.

A la hora programada, la alimentación se activará y la música se reproducirá. Después, la alimentación se desactivará a la hora programada, y el reproductor volverá a entrar en el modo de espera.

**Para comprobar/cambiar los ajustes del temporizador de activación**

Pulse TIMER y, a continuación, ENTER • YES. Cada vez que pulse ENTER • YES, aparecerá un ajuste almacenado en el orden definido. Para cambiar el ajuste, muestre el que desee cambiar y vuelva a introducirlo.

**Para utilizar el reproductor antes del inicio de la reproducción con temporizador**

Si enciende el reproductor, podrá utilizarlo con normalidad (en el caso de la radio, si escucha una emisora diferente a la sintonizada en el paso 1 de la página 44, se oirá esa emisora a la hora programada). Apague el reproductor antes de la hora programada.

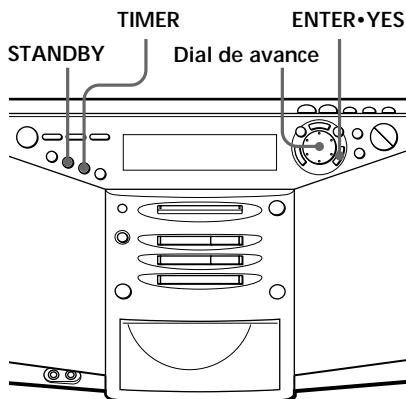
**Para detener el reproductor**

Desactive la alimentación.

# Grabación de programas de radio con temporizador

Es posible ajustar el temporizador para grabar programas de radio a una hora determinada. También es posible grabar desde un componente conectado a la toma LINE IN del reproductor.

Compruebe que ha ajustado el reloj (consulte "Ajuste del reloj" en la página 42).



## Notas

- No es posible programar el temporizador de activación automática (página 44) y el de grabación a la misma hora.
- Cuando grabe desde el componente conectado a la toma LINE IN del reproductor, consulte el manual de instrucciones de dicho componente.

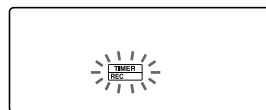
## Consejo

Si comete un error, pulse CANCEL•NO. El último ajuste introducido se borrará. Vuelva a introducirlo.

Antes de comenzar, compruebe que el visor no muestre "TIMER PLAY" o "TIMER REC". Si alguna de estas indicaciones se muestra, pulse STANDBY.

**1** Sintonice la emisora de radio e inserte un MD.

**2** Pulse TIMER. "TIMER PLAY" o "TIMER REC" parpadea en el visor.



Realice los siguientes ajustes comprobando las indicaciones del visor.

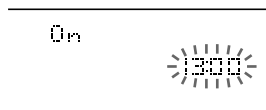
**3** Gire el dial de avance hasta que "TIMER REC" parpadee en el visor, y pulse ENTER•YES.

**4** Gire el dial de avance hasta que "RADIO" parpadee en el visor, y pulse ENTER•YES.

Cuando grabe desde el componente conectado a la toma LINE IN del reproductor, gire el dial de avance hasta que "LINE" parpadee en el visor, y pulse ENTER•YES.

**5** Ajuste el temporizador a la hora y los minutos a los que desee que se inicie la grabación.

① Gire el dial de avance para ajustar la hora y pulse ENTER•YES.



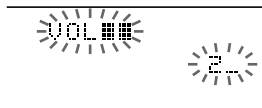
② Gire el dial de avance para ajustar los minutos y pulse ENTER•YES.

### Consejos

- Para salir del modo de espera, pulse STANDBY para que "TIMER REC" o "TIMER PLAY" desaparezca del visor.
- Los ajustes programados se conservarán hasta que vuelva a ajustarlos.
- Mientras que la indicación ☺ se muestre en el visor, el reproductor se encontrará en el modo de temporizador.

**6** Ajuste el temporizador a la hora y los minutos a los que desee que se detenga la grabación. (Realice la misma operación que en el paso 5.)

**7** Gire el dial de avance para ajustar el volumen que desee, y pulse ENTER • YES.



**8** Pulse STANDBY.

Aparece "TIMER REC", y el reproductor entra en el modo de espera.

A la hora programada, la alimentación se activará y se iniciará la grabación. Después, la alimentación se desactivará a la hora programada, y el reproductor entrará de nuevo en el modo de espera.

### Para comprobar/cambiar los ajustes del temporizador de grabación

Pulse TIMER y, a continuación, ENTER • YES. Cada vez que pulse ENTER • YES, aparecerá un ajuste almacenado en el orden definido. Para cambiar el ajuste, muestre el que desee cambiar y vuelva a introducirlo.

### Para emplear el reproductor antes de que comience la grabación con temporizador

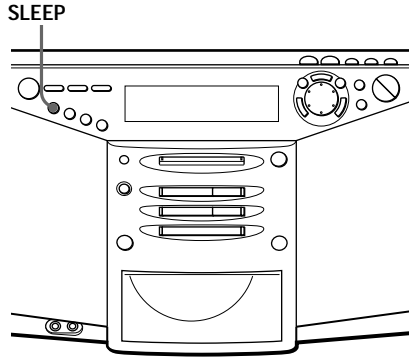
Si enciende el reproductor, podrá utilizarlo con normalidad (en el caso de la radio, si escucha una emisora diferente a la sintonizada en el paso 1 de la página 46, se oír esa emisora a la hora programada). Apague el reproductor antes de la hora programada.

### Para detener la grabación con temporizador

Desactive la alimentación.

# Desactivación automática de la unidad

Es posible ajustar el reproductor para que se apague automáticamente transcurridos 10, 20, 30, 60, 90 o 120 minutos, pudiendo quedarse dormido mientras escucha música.



## En el mando a distancia

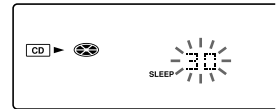
Pulse SLEEP varias veces para seleccionar los minutos tras los cuales el temporizador apagará la unidad automáticamente.

## Consejos

- Es posible combinar el temporizador de activación con el de desactivación. Ajuste primero el temporizador de activación (página 44), encienda el reproductor y, a continuación, ajuste el temporizador de desactivación.
- Puede preparar músicas diferentes para el temporizador de activación y para el de desactivación. No obstante, no es posible almacenar emisoras de radio diferentes.
- Es posible definir niveles de volumen diferentes para el temporizador de activación y para el de desactivación. Por ejemplo, puede quedarse dormido con un nivel de volumen menor y despertarse con un volumen mayor.

- 1 Reproduzca la fuente de música que desee.
- 2 Pulse SLEEP hasta que “SLEEP” aparezca en el visor.
- 3 Pulse SLEEP para seleccionar los minutos tras los que el reproductor se apagará automáticamente.

Cada vez que pulse el botón, la indicación cambia de la siguiente forma: “10” → “20” → “30” → “60” → “90” → “120” → ninguna indicación.



Si transcurren 4 segundos después de haber pulsado SLEEP, se introducirán los minutos que muestra el visor.

Al llegar la hora programada, el reproductor se apaga automáticamente.

## Para cancelar la función de desactivación automática

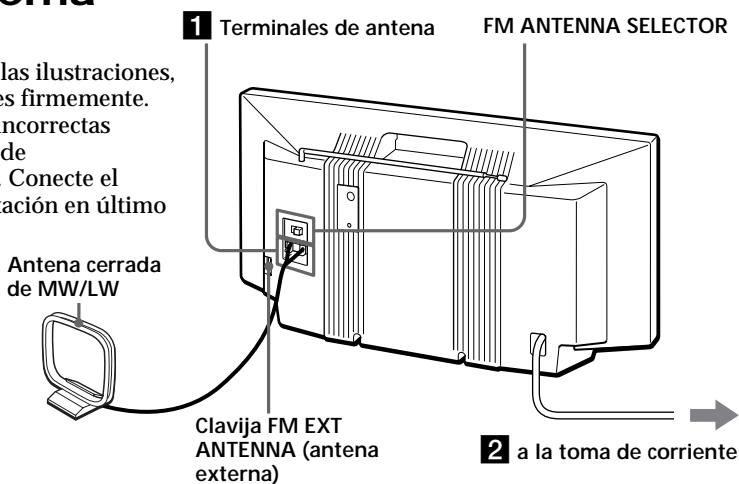
Pulse SLEEP para que “SLEEP” desaparezca del visor.

## Para cambiar la hora definida

Vuelva a realizar los pasos 2 y 3.

# Preparación del sistema

De acuerdo con las ilustraciones, conecte los cables firmemente. Las conexiones incorrectas producen fallos de funcionamiento. Conecte el cable de alimentación en último lugar.



## Nota

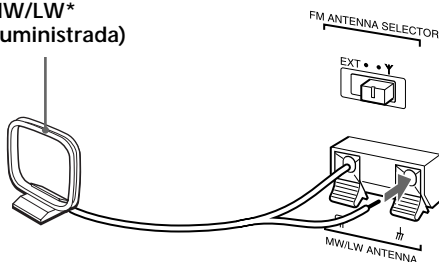
Mantenga la antena cerrada de MW/LW lo más alejada posible del reproductor. En caso contrario, es posible que se oiga ruido.

## Consejo

Esta unidad se suministra con una red de altavoz de diferente color. Si desea cambiar el color del altavoz, tire hacia fuera de cada esquina de la red de altavoz para extraer dicha red. A continuación, sustitúyala por la red de repuesto.

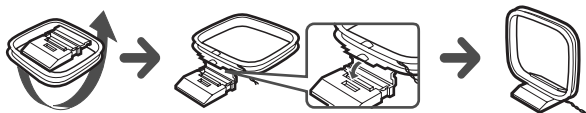
## 1 Conexión de la antena

Antena cerrada de MW/LW\* (suministrada)



\* Reoriente la antena para mejorar la recepción de la emisión

### Instalación de la antena cerrada de MW/LW



## 2 Conexión del cable de alimentación

Conecte el cable de alimentación a la toma de corriente.

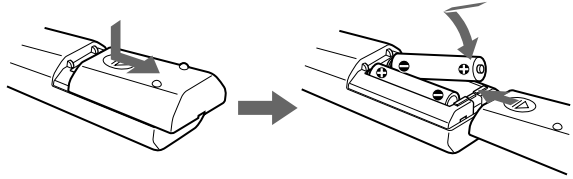
continúa

## Preparación del sistema (continuación)

### Consejos

- Este reproductor dispone de dos tomas  (auriculares), lo que permite que dos personas escuchen la misma música. Al utilizar la toma  marcada con ••, podrá escuchar también el sonido a través de los altavoces. Es posible disfrutar de sonido envolvente mediante el sistema opcional de auriculares estéreo inalámbricos como el MDR-IF520RK y un transmisor.
- La calidad de sonido puede cambiar en función de la polaridad del enchufe. Cambie el sentido de inserción de éste y compruebe la calidad del sonido.

### 3 Inserción de las pilas en el mando a distancia



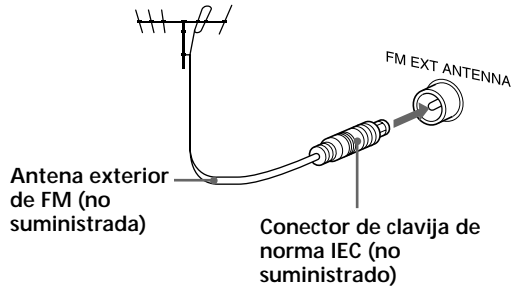
Inserte dos pilas R6 (tamaño AA) (no suministradas)

### Sustitución de las pilas

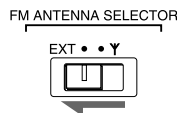
Con un uso normal, las pilas deben durar aproximadamente seis meses. Cuando el reproductor no responda al mando a distancia, sustituya todas las pilas por otras nuevas.

### Para mejorar la recepción de FM

- ① Conecte una antena exterior de FM (no suministrada). Si emplea un distribuidor, podrá utilizar también la antena del TV.



- ② Ajuste el selector FM ANTENNA SELECTOR de la parte posterior en "EXT".

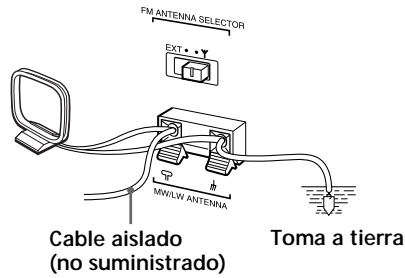


### Importante

Si utiliza una antena exterior, asegúrese de conectar el terminal  $\uparrow$  a tierra contra relámpagos. Para evitar explosiones de gas, no conecte el cable de toma a tierra a una tubería de gas.

### Para mejorar la recepción de MW/LW

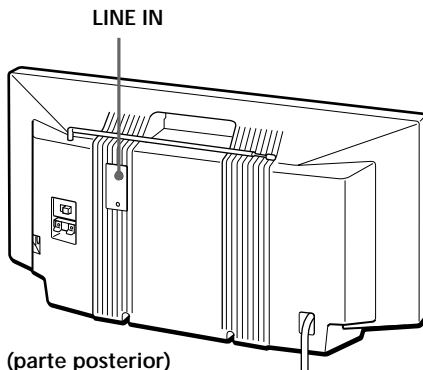
Conecte un cable aislado de 6 a 15 metros (no suministrado) de largo al terminal MW/LW ANTENNA. Mantenga el cable lo más horizontal posible cerca de una ventana o en el exterior. No es necesario desconectar la antena cerrada de MW/LW suministrada.



# Conexión de componentes opcionales

Es posible escuchar el sonido de un TV o videograbadora mediante los altavoces de este reproductor.

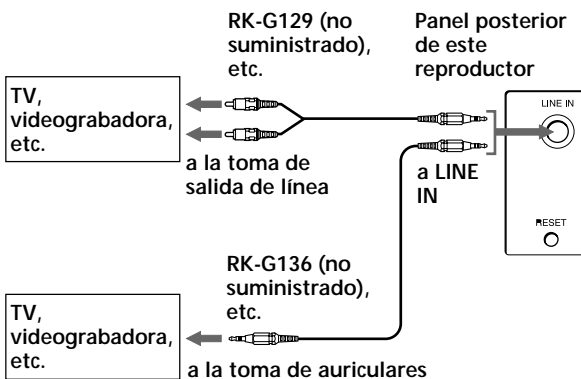
Asegúrese de desactivar la alimentación de cada componente antes de realizar las conexiones. Para más información, consulte el manual de instrucciones del componente que vaya a conectar.



## Nota

Conecte los cables firmemente para evitar fallos de funcionamiento.

## Conexión de un TV o una videograbadora



Una vez finalizadas las conexiones, encienda el reproductor y pulse LINE en el panel frontal para que aparezca "LINE".



### Consejo

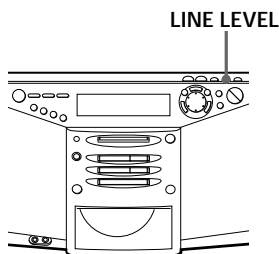
Si no se introduce sonido durante más de 2 segundos mientras graba, se registrará una marca de tema automáticamente.

### Grabación del sonido de los componentes conectados

- 1 Inserte un MD grabable.
- 2 Pulse LINE en el panel frontal para que aparezca "LINE".
- 3 Pulse REC.  
La grabación no se inicia aún (modo de espera de grabación).
- 4 Pulse MD ►||.
- 5 Reproduzca el componente opcional conectado a la toma LINE IN del reproductor.

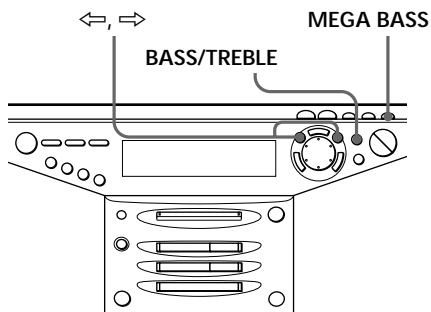
### Si el volumen del componente conectado a la toma LINE IN es demasiado alto

Pulse LINE LEVEL para que aparezca "Level: High" o reduzca el volumen del componente conectado.



# Ajuste del énfasis de sonido

Es posible ajustar el énfasis de sonido de los graves o de los graves/agudos que escuche.



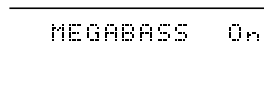
## Nota

Si el volumen es demasiado alto, es posible que los ajustes de sonido no sean efectivos.

## Potenciación de los graves

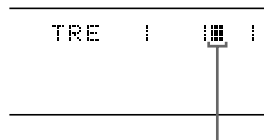
Pulse MEGA BASS hasta que “MEGABASS On” aparezca en el visor.

Visor



## Ajuste de los graves/agudos

- 1 Pulse BASS/TREBLE para seleccionar “BASS” (graves) o “TRE” (agudos).
- 2 Ajuste los graves o los agudos mediante  $\leftarrow$  o  $\rightarrow$ .



Cada vez que pulse  $\leftarrow$  o  $\rightarrow$ , el cursor se desplazará a la izquierda o a la derecha. Al desplazarse el cursor hacia la derecha, el nivel aumentará, mientras que al desplazarse hacia la izquierda, el nivel disminuirá.

## Precauciones

### Seguridad

- Puesto que el haz láser que se utiliza en la sección del reproductor de CD y de MD es perjudicial para los ojos, no intente desmontar la unidad. Solicite asistencia técnica sólo a personal especializado.
- Si se introduce algún objeto sólido o se derrama líquido sobre el reproductor, desenchúfelo y haga que sea revisado por personal especializado antes de volver a utilizarlo.

### Fuentes de alimentación

- El reproductor no estará desconectado de la fuente de alimentación de CA (toma de corriente) mientras esté conectado a la toma mural, aunque lo haya apagado.
- Si no va a utilizar las pilas, extraígalas para evitar daños que pueden producirse por fugas o corrosión de las mismas.
- La placa de características que indica la tensión de funcionamiento, consumo de energía, etc., está situada en la parte posterior.

### Ubicación

- No deje el reproductor en lugares próximos a fuentes de calor, ni expuestos a la luz solar directa, polvo excesivo o golpes mecánicos.
- No coloque nada a una distancia inferior a 10 mm del lateral del reproductor. Para que éste funcione correctamente y prolongar la duración de sus componentes, los orificios de ventilación no deben obstruirse.

- Si deja el reproductor en un automóvil aparcado al sol, asegúrese de elegir un lugar dentro del mismo donde el reproductor no quede expuesto a los rayos directos del sol.
- Puesto que los altavoces disponen de un imán potente, aleje del reproductor tarjetas personales de crédito que empleen codificación magnética o relojes de cuerda con el fin de evitar posibles daños producidos por dicho imán.

### Funcionamiento

- Si traslada el reproductor directamente de un lugar frío a otro cálido, o si lo coloca en una sala muy húmeda, es posible que se condense humedad en las lentes del interior de la sección del reproductor de CD y de MD. Si esto ocurre, éste no funcionará correctamente. En este caso, extraiga el CD o el MD y espere aproximadamente una hora hasta que la humedad se evapore.

Si desea realizar alguna consulta o solucionar algún problema referentes al reproductor, póngase en contacto con el proveedor Sony más próximo.

---

continúa

## Precauciones (continuación)

### Notas sobre los discos compactos

- Antes de la reproducción, limpie el CD con un paño de limpieza desde el centro hacia los bordes.



- No utilice disolventes, como bencina, diluyentes, limpiadores disponibles en el mercado ni aerosoles antiestáticos destinados a discos de vinilo.
- No exponga el CD a la luz solar directa ni a fuentes de calor, como conductos de aire caliente, ni lo deje en un automóvil aparcado bajo la luz solar directa, ya que puede producirse un considerable aumento de temperatura en el interior de dicho automóvil.
- Después de la reproducción, guarde el CD en su caja.

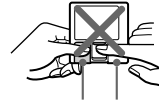
Si el CD está rayado, sucio o tiene huellas dactilares, pueden producirse errores de lectura.

### Limpieza del exterior

Limpie el exterior, el panel y los controles con un paño suave ligeramente humedecido en una solución detergente poco concentrada. No utilice estropajos abrasivos, detergente en polvo ni disolventes, como alcohol o bencina.

### Notas sobre los minidisos

- No abra el obturador de forma que el MD quede expuesto. Cierre dicho obturador inmediatamente si se abre.



Obturador Cartucho

- Limpie el cartucho del disco con un paño seco para eliminar la suciedad.

### Protección de minidisos grabados

Para proteger un MD contra grabaciones, deslice y abra la lengüeta del lateral de dicho MD (de forma que la lengüeta quede oculta).

En esta posición, no es posible grabar en el MD. Para grabar en él, deslice y cierre la lengüeta.



Deslice y abra la lengüeta

---

# Limitaciones del sistema de MD

El sistema de grabación de la grabadora de minidiscos difiere por completo del utilizado en platinas de cassettes y DAT. El sistema tiene las limitaciones descritas a continuación. No obstante, tenga en cuenta que estas limitaciones se deben a la naturaleza inherente del propio sistema de grabación de MD y no a causas mecánicas.

**“Disc Full” aparece en el visor incluso antes de que el MD haya alcanzado el tiempo máximo de grabación (60 o 74 minutos)**

Si se han grabado 254 temas en el MD, aparecerá “Disc Full” independientemente del tiempo total de grabación. No es posible grabar más de 254 temas en el MD. Para seguir grabando, borre temas innecesarios.

**“Disc Full” aparece en el visor incluso antes de que el MD haya alcanzado el número de temas o tiempo de grabación máximos.**

La repetición de las operaciones de grabación y borrado puede causar la fragmentación y dispersión de los datos. Aunque es posible leer los datos dispersos, cada fragmento se contabiliza como un tema. En este caso, el número de temas puede llegar a ser de 254 y no será posible realizar más grabaciones. Para seguir grabando, borre temas innecesarios.

**El tiempo de grabación restante no aumenta incluso después de borrar varios temas cortos**

Puesto que los temas de duración inferior a 12 segundos no se contabilizan, el borrado de éstos puede no aumentar el tiempo de grabación.

**No es posible combinar ciertos temas con otros**

La combinación de temas puede ser imposible si la duración de éstos es inferior a 12 segundos.

**El tiempo total de grabación y el restante del MD pueden no alcanzar el tiempo máximo de grabación (60 o 74 minutos)**

La grabación se realiza en unidades mínimas de 2 segundos cada una, independientemente de la brevedad de la duración del material. Por tanto, el contenido grabado puede ser inferior a la capacidad máxima de grabación. El espacio del disco puede también reducirse más por la presencia de rayaduras en dicho disco.

**Es posible que se produzcan pérdidas de sonido durante el avance rápido o el rebobinado de temas editados.**

Los temas creados mediante edición pueden presentar pérdidas de sonido durante el avance rápido o el rebobinado, ya que la reproducción a alta velocidad tarda un espacio de tiempo en buscar la posición en el disco si los temas están dispersos en el mismo.

continúa

---

## Limitaciones del sistema de MD (continuación)

### Guía del Sistema de gestión de copias en serie

Los equipos de audio digital, como CD, MD, DAT, etc., realizan fácilmente copias de música con alta calidad, ya que estos productos procesan la música como una señal digital. El Sistema de gestión de copias en serie permite realizar una sola copia de las fuentes digitales grabadas mediante conexiones digital-a-digital, ya que los programas de música pueden contar con copyright. Este sistema se aplica a este reproductor.

### Sólo es posible realizar una copia de primera generación\* mediante una conexión digital-a-digital.

Esto significa lo siguiente:

- 1 Es posible realizar una copia de un programa de sonido digital del mercado como un CD, MD, etc., pero no es posible realizar una segunda copia de la copia de primera generación.
- 2 Es posible realizar una copia de una señal digital de un programa de sonido analógico grabado digitalmente en el mercado, como una grabación analógica, cinta de cassette de música, etc., o de emisiones digitales por satélite, pero no es posible realizar una segunda copia.

### Nota

No se aplican restricciones cuando una señal digital se graba como señal analógica (es decir, cuando una señal digital se graba mediante conexión analógico-a-analógico).

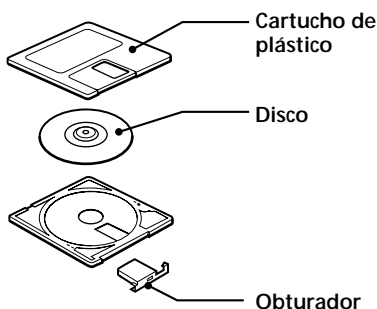
- \* Una copia de primera generación es una grabación digital de una señal digital realizada en equipos de audio digital mediante conexión digital-a-digital. Durante la grabación, el visor de este reproductor muestra "DIGITAL REC".

# Descripción de los minidiscos

## Estructura

El minidisco (MD) de 2,5 pulgadas es un disco de reducido tamaño y de fácil manejo que requiere menos cuidados, ya que se encuentra alojado en un cartucho de plástico, presentando el aspecto de un disquete de 3,5 pulgadas (consulte las siguientes ilustraciones).

## Componentes que conforman los minidiscos



## Tipos de minidiscos

Existen dos tipos de minidiscos: de grabación comercial (pre-grabados) y grabables (vírgenes). No es posible grabar en los minidiscos de grabación comercial como en el caso de las cintas de cassette. Para realizar grabaciones, deben utilizarse “minidiscos grabables”.

## Minidiscos de grabación comercial

Estos minidiscos están grabados y se reproducen como los discos compactos normales. Un haz láser enfoca las hendiduras de la superficie del MD y refleja la información en la lente de la grabadora. A continuación, ésta decodifica las señales y las reproduce como música.



## Minidiscos grabables

Estos minidiscos, que emplean tecnología magnetoóptica (MO), pueden grabarse varias veces. El láser del interior de la grabadora aplica calor en el MD, desmagnetizando la capa magnética del mismo. A continuación, dicha grabadora aplica un campo magnético en la capa. Dicho campo se corresponde exactamente con las señales de audio generadas por la fuente conectada. (Las polaridades norte y sur equivalen a “1” y “0” digitales.) El MD desmagnetizado adopta la polaridad del campo magnético, resultando en un MD grabado.



---

## Descripción de los minidiscos (continuación)

### Características

#### Grabación de larga duración

El MD utiliza una nueva tecnología de compresión de audio digital denominada “ATRAC” (Adaptive TRansform Acoustic Coding). Para almacenar más sonido en menos espacio, ATRAC extrae y codifica sólo los componentes de frecuencia que el oído humano puede oír.

#### Acceso aleatorio rápido



Al igual que los discos compactos, los minidiscos ofrecen acceso instantáneo aleatorio al principio de cualquier tema musical. Los minidiscos de grabación comercial están grabados con direcciones de ubicación correspondientes a cada tema musical.

#### Memoria resistente a los golpes

Un inconveniente importante de los sistemas de lectura óptica es que omiten o desactivan el sonido cuando están sometidos a vibraciones. El sistema de MD elimina este problema mediante el empleo de una memoria intermedia que almacena datos de audio.



# Solución de problemas

	Problema	Solución
Generales	Ausencia de sonido.	<ul style="list-style-type: none"><li>• Pulse OPERATE para encender el reproductor.</li><li>• Conecte firmemente el cable de alimentación.</li><li>• Ajuste el volumen.</li><li>• Desenchufe los auriculares de la toma  marcada con • cuando escuche el sonido mediante los altavoces.</li><li>• Espere hasta que “TOC Reading” desaparezca del visor.</li></ul>
	La imagen del TV es inestable.	<ul style="list-style-type: none"><li>• Aleje el reproductor del TV.</li></ul>
Reproductor de CD	El CD no se reproduce/”No Disc” se ilumina en el visor aunque haya un CD insertado.	<ul style="list-style-type: none"><li>• Compruebe que la bandeja de CD esté cerrada.</li><li>• Coloque el CD con la superficie de la etiqueta hacia arriba.</li><li>• Limpie el CD.</li><li>• Extraiga el CD y deje abierta la bandeja de CD durante una hora aproximadamente para que se seque la condensación de humedad.</li></ul>
	Se producen pérdidas de sonido.	<ul style="list-style-type: none"><li>• Reduzca el volumen.</li><li>• Limpie el CD, o sustitúyalo si está muy dañado.</li><li>• Coloque el reproductor en un lugar sin vibraciones.</li></ul>
Reproductor de MD	No es posible extraer un MD parcialmente insertado.	<ul style="list-style-type: none"><li>• El sistema de autobloqueo del reproductor de MD ha atrapado el MD. Inserte éste por completo y, a continuación, pulse  MD EJECT.</li></ul>
	“Disc Error” se ilumina en el visor y el reproductor no funciona.	<ul style="list-style-type: none"><li>• Extraiga el MD y vuelva a insertarlo. Si “Disc Error” permanece en el visor, sustituya el MD. Borre todos los temas del mismo (página 32).</li></ul>
	El MD no se reproduce.	<ul style="list-style-type: none"><li>• Extraiga el MD y deje el reproductor en un lugar cálido durante varias horas hasta que la humedad se evapore.</li><li>• Ha insertado el MD incorrectamente. Deslícelo en el compartimiento de discos para introducirlo con el lado de la etiqueta hacia arriba y la flecha orientada hacia la abertura hasta que el reproductor lo introduzca.</li><li>• Es posible que el MD no contenga grabaciones (el calendario musical no aparece). Sustituya el disco por otro que esté grabado.</li></ul>

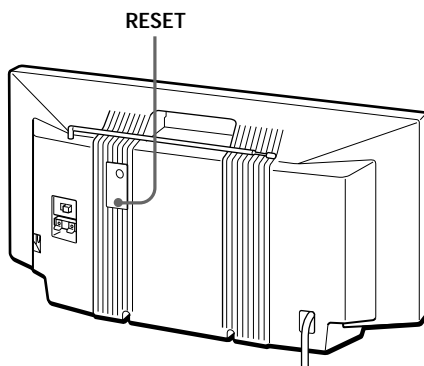
continúa

## Solución de problemas (continuación)

	Problema	Solución
Reproductor de MD	El MD no se graba.	<ul style="list-style-type: none"> <li>• El MD está protegido contra grabaciones (aparece "Protected"). Cierre la ranura de protección contra grabaciones.</li> <li>• El tema se ha protegido mediante otra grabadora de MD (aparece "Trk Protect"). Cancele la protección de temas en la grabadora de MD en la que se protegió el tema.</li> <li>• El reproductor no está conectado correctamente a la fuente de sonido. Realice las conexiones adecuadas a la fuente de sonido.</li> <li>• Ha insertado un MD de grabación comercial. Sustitúyalo por otro grabable.</li> <li>• No queda suficiente espacio en el MD. Sustitúyalo por otro grabable con suficiente espacio, o borre temas innecesarios.</li> <li>• Se ha producido un corte de suministro eléctrico o se ha desconectado el cable de alimentación. Es posible que se pierdan los datos grabados en ese punto. Repita el procedimiento de grabación.</li> </ul>
	Se producen pérdidas del sonido grabado.	<ul style="list-style-type: none"> <li>• El sonido se ha grabado con un volumen alto. Vuelva a grabarlo con un volumen menor.</li> </ul>
	No es posible recibir en estéreo un programa estéreo.	<ul style="list-style-type: none"> <li>• Pulse MONO/ST hasta que "STEREO" aparezca en el visor (página 11).</li> </ul>
Radio	El sonido es débil o es de mala calidad.	<ul style="list-style-type: none"> <li>• Es posible que la emisión de FM en estéreo presente ruido (página 11).</li> <li>• Aleje el reproductor del TV.</li> <li>• Si emplea el mando a distancia mientras escucha una emisora de radio de MW/LW, es posible que se oiga ruido. Esto es inevitable.</li> <li>• Aleje la antena cerrada de MW/LW del reproductor.</li> </ul>
	El temporizador no funciona.	<ul style="list-style-type: none"> <li>• Compruebe que la hora del reloj sea correcta.</li> <li>• Compruebe si se ha producido un corte en el suministro de alimentación de CA.</li> <li>• Compruebe que "TIMER REC" o "TIMER PLAY" aparezca en el visor.</li> <li>• Compruebe y cambie la hora programada de inicio/parada si ambas horas son iguales.</li> </ul>

Problema	Solución
El mando a distancia no funciona.	<ul style="list-style-type: none"><li>• Sustituya todas las pilas del mando a distancia por otras nuevas si disponen de poca energía (página 50).</li><li>• Compruebe que oriente el mando a distancia hacia el sensor de control remoto del reproductor.</li><li>• Elimine los obstáculos que haya entre el mando a distancia y el reproductor.</li><li>• Asegúrese de que el sensor de control remoto no está expuesto a iluminaciones intensas, como la luz solar directa o lámparas fluorescentes.</li><li>• Acérquese al reproductor cuando utilice el mando a distancia.</li></ul>

Es posible que el funcionamiento sea inestable en función del suministro de alimentación u otras causas, ya que este reproductor emplea un microprocesador para enlazar cada una de las operaciones. Si se produce algún problema no descrito anteriormente, desconecte el cable de alimentación de CA de la toma mural y, a continuación, vuelva a conectarlo transcurridos unos 20 segundos. Si el problema no se soluciona, pulse el botón RESET de la parte posterior del reproductor con un objeto puntiagudo (en este caso, el reloj, el temporizador o las emisoras de radio memorizadas recuperan sus ajustes iniciales. Si es necesario, vuelva a ajustar dichos elementos). Si el problema no se soluciona, póngase en contacto con el proveedor Sony más próximo.



---

# Mensajes de error

Si el reproductor no puede realizar alguna operación de MD o de CD, es posible que alguno de los siguientes mensajes de error parpadee en el visor.

Este mensaje parpadeará	Si
Blank Disc	intenta reproducir un MD que no esté grabado.
Cannot Edit	intenta utilizar la función de combinación en el primer tema del MD.
Disc Error	el reproductor no puede leer el MD (está rayado o sucio).
Disc Full	no queda espacio para grabar o editar el MD. (Consulte “Limitaciones del sistema de MD” en la página 57.)
Name Full	la capacidad de etiquetado del MD ha llegado a su límite. Cada etiqueta puede componerse de un máximo de 100 caracteres. Es posible introducir un máximo de unos 1.700 caracteres en cada MD.
No Disc	intenta reproducir o grabar sin ningún CD o MD en el reproductor.
No MD	intenta reproducir o grabar sin ningún MD en el reproductor (en el caso de grabación sincronizada, etc.)
PB Disc	intenta grabar o editar en un MD de grabación comercial (PB significa reproducción).
Protected	intenta grabar o editar en un MD con la lengüeta en la posición de protección contra grabaciones.
Sorry	intenta editar, sin tener en cuenta las limitaciones del sistema de MD.
Trk Protect	intenta grabar o editar un tema ya protegido con otras grabadoras de MD.

# Especificaciones

## Sección del reproductor de CD

### Sistema

Audio digital de discos compactos

### Propiedades del diodo láser

Material: GaAlAs

Longitud de onda: 785 nm

Duración de la emisión: Continua

Salida de láser: Inferior a 44,6 μW

(Esta salida es el valor medido a una distancia de aproximadamente 200 mm de la superficie de la lente objetiva del bloque de recogida óptico con una apertura de 7 mm.)

### Velocidad del eje

200 r/min (rpm) a 500 r/min (rpm) (CLV)

### Número de posiciones de programa

2

### Respuesta de frecuencia

20 - 20.000 Hz +1/-2 dB

### Fluctuación y trémolo

Por debajo del límite medible

## Sección de la radio

### Margen de frecuencias

FM: 87,6 - 107 MHz

MW: 531 - 1.602 kHz

LW: 153 - 279 kHz

### IF

FM: 10,7 MHz

MW/LW: 450 kHz

### Antenas

FM: Antena telescópica

Terminal de antena externa

MW/LW: Terminales de antena externa

## Sección del reproductor de MD

### Sistema

Audio digital de minidisos

### Disco

Minidisco

### Propiedades del diodo láser

Material: GaAlAs

Longitud de onda: 785 nm

Duración de la emisión: Continua

Salida de láser: Inferior a 44,6 μW

(Esta salida es el valor medido a una distancia de aproximadamente 200 mm de la superficie de la lente objetiva del bloque de recogida óptico con una apertura de 7 mm.)

### Tiempo de grabación/reproducción

Máximo de 74 minutos (con MDW-74)

### Revoluciones

400 rpm a 900 rpm (CLV)

### Corrección de error

Advanced Cross Interleave Reed Solomon Code (ACIRC)

### Frecuencia de muestreo

44,1 kHz

### Codificación

Adaptive Transform Acoustic Coding (ATRAC)

### Sistema de modulación

EFM (Eight-to-Fourteen Modulation)

### Número de posiciones de programa

2 estéreo

### Respuesta de frecuencia

20 - 20.000 Hz +1/-2 dB

### Relación señal-ruido

Superior a 80 dB (durante la reproducción)

### Fluctuación y trémolo

Por debajo del límite medible

## Generales

### Altavoz

Gama completa: 8 cm de diámetro, tipo cónico de 4 ohmios (2)

### Entradas

LINE IN (minitoma estéreo): Sensibilidad 436 mV/691 mV

### Salidas

Toma de auriculares (minitoma estéreo) (2):

Para auriculares de 32 ohmios de impedancia

### Salida de potencia máxima

7 W + 7 W

### Requisitos de alimentación

Para el sistema de minidisos personal:

230 V CA, 50 Hz

Para el mando a distancia:

3 V CC, 2 pilas R6 (tamaño AA)

### Consumo de energía

30 W

### Dimensiones (partes salientes incluidas)

aprox. 528 × 275 × 139 mm (an/al/prf)

### Peso

aprox. 6,4 kg

### Accesorios suministrados

Mando a distancia (1)

Antena cerrada de MW/LW (1)

Redes de altavoz (2)

## Accesorios opcionales

Auriculares Sony de la serie MDR

Patentes de EE.UU. y extranjeras con licencia de Dolby Laboratories Licensing Corporation.

Diseño y especificaciones sujetos a cambios sin previo aviso.

---

# Índice alfabético

## A, B, C

### Ajuste

- agudos 54
- graves 54
- volumen 5, 9, 11

### ATRAC 60

### AUTO PRESET 20

- Comprobación del tiempo de reproducción de un CD 12
- de un MD 13

### Conexión

- antena 50, 51
- cable de alimentación 49
- componentes opcionales 52

### Conexiones. Consulte

### Conexión

- Creación de su propio programa 17

## D

- Descripción de los minidiscos 59

## E

- Edición 29
- Emisoras de radio
  - memorización 20
  - recepción 10

## F

- Fuentes de alimentación 49
- Función de borrado 31
- Función de combinación 36
- Función de desplazamiento 38
- Función de división 34
- Función de nombre 39

## G, H

### Grabación

- de CD 6, 27
- en un MD 6, 27, 28

## I, J, K

- Instalación 49

## L

- Limitaciones de sistema 57
- Limpieza 56
- Localización de un punto específico de un tema 15
- Localización de un tema específico 15

## M, N, Ñ, O

- MEGA BASS 54
- Mejora de la recepción de emisiones 11
- Memorización de emisoras de radio 20
- Mensaje de error 64

## P, Q

- Pilas
  - para el mando a distancia 50

## R

- Recepción de la radio 10
- Reloj 42
- Reproducción aleatoria 19
- Reproducción de programa 17
- Reproducción
  - de CD 4
  - de emisoras de radio memorizadas 22
  - de MD 8
  - repetida de temas 16
- Reproducción repetida 16
- Reproductor de CD 12
- Reproductor de MD 12

## S

- Sistema de gestión de copias en serie 58
- Solución de problemas 61

## T

- Temporizador
  - grabación 46
  - reproducción 44

## U

- Uso
  - del visor 12-14

## V, X, Y, Z

- Visor 12-14