

CD Radio Cassette-Corder

Operating Instructions page 2^{GB}

GB

Manual de instrucciones página 2^{ES}

ES

***CFD-E90
CFD-E90L***

Warning

To prevent fire or shock hazard, do not expose the player to rain or moisture.

To avoid electrical shock, do not open the cabinet. Refer servicing to qualified personnel only.



Warning

Do not install the appliance in a confined space, such as a bookcase or built-in cabinet.

To prevent fire or shock hazard, do not place objects filled with liquids, such as vases, on the appliance.

Notice for customers in the United Kingdom

A moulded plug complying with BS 1363 is fitted to this equipment for your safety and convenience.

Should the fuse in the plug supplied need to be replaced, same rating fuse approved by ASTA or BSI to BS 1362, (i.e. marked with  or  mark) must be used.

If the plug supplied with this equipment has a detachable fuse cover, be sure to attach the fuse cover after you change the fuse. Never use the plug without the fuse cover. If you should lose the fuse cover, please contact your nearest Sony service station.

About this manual

The instructions in this manual are for the CFD-E90 and CFD-E90L. Before you start reading, check your model number. The CFD-E90L is the model used for illustration purpose.

Note

The name of the switch to turn on/off this player is indicated as below:

“OPERATE”: CFD-E90L

“POWER”: CFD-E90

Table of contents

Basic Operations

Playing a CD	4
Listening to the radio	6
Playing a tape	8
Recording on a tape	10

The CD Player

Using the display	12
Locating a specific point in a track	12
Playing tracks repeatedly (Repeat Play)	13
Playing tracks in random order (Shuffle Play)	14
Creating your own programme (Programme Play)	14

The Radio

Presetting radio stations	16
Playing preset radio stations	17

The Audio Emphasis

Selecting the audio emphasis (MEGA BASS)	18
---	----

The Timer

Setting the clock	19
Waking up to music	20
Falling asleep to music	21

Setting Up

Choosing the power sources	23
Connecting optional components (CFD-E90L only)	25

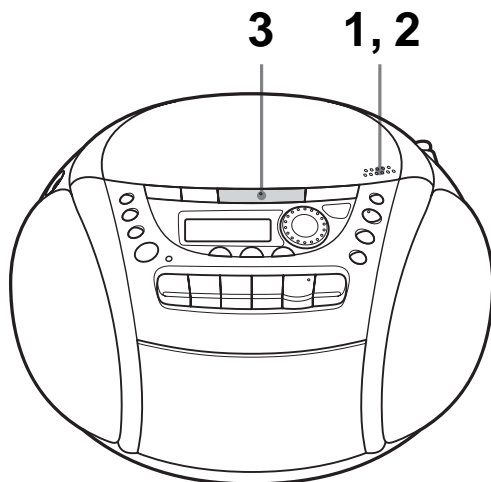
Additional Information

Precautions	27
Troubleshooting	29
Maintenance	31
Specifications	32
Index	33

About the demonstration mode

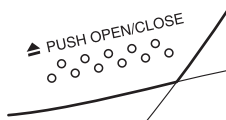
If "HELLO" appears on the display, the player is in the demonstration mode. To exit from the demonstration mode, set the clock or press DISPLAY for about 2 seconds.

Playing a CD

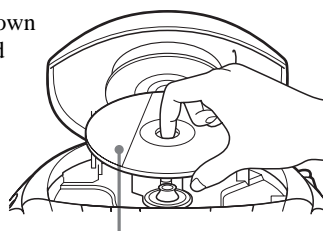


Connect the supplied mains lead (see page 23).

1

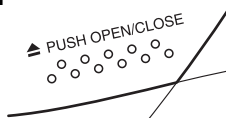


Press **▲**PUSH OPEN/CLOSE down to open the CD compartment and place the CD on the CD compartment.

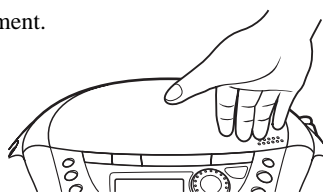


With the label side up

2



Close the lid of the CD compartment.



3



Press **▶||**.

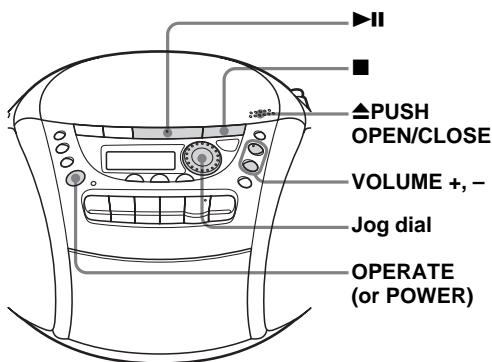
The player turns on (direct power-on) and plays all the tracks once.

Display



Track number Playing time

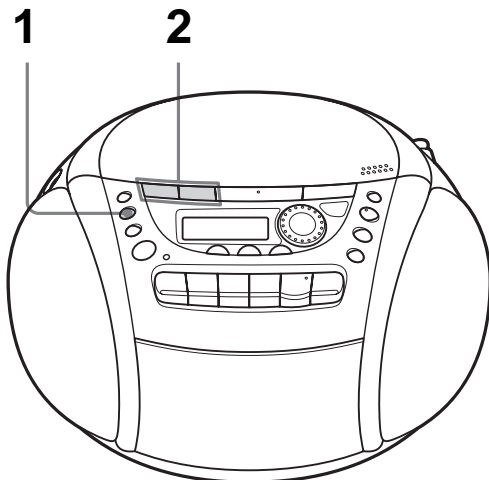
Use these buttons for additional operations



To	Do this
adjust the volume	Press VOLUME +*, - (VOL +, - on the remote).
stop playback	Press ■.
pause playback	Press ▶ *. Press the button again to resume play after pause.
go to the next track	Turn the jog dial clockwise. (On the remote, press ▶▶.)
go back to the previous track	Turn the jog dial counterclockwise. (On the remote, press ◀◀.)
remove the CD	Press ▲PUSH OPEN/CLOSE.
turn on/off the player	Press OPERATE (or POWER, see page 2).

* The button has a tactile dot.

Listening to the radio



Connect the supplied mains lead (see page 23).

1



Press **RADIO•BAND•AUTO PRESET** until the band you want appears in the display (direct power-on).

Display

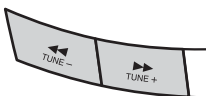


Each time you press the button, the band changes as follows:

CFD-E90: “FM” → “AM”

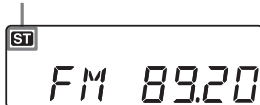
CFD-E90L: “FM” → “MW” → “LW”

2



Hold down **TUNE +** or **TUNE -** until the frequency digits begin to change in the display.

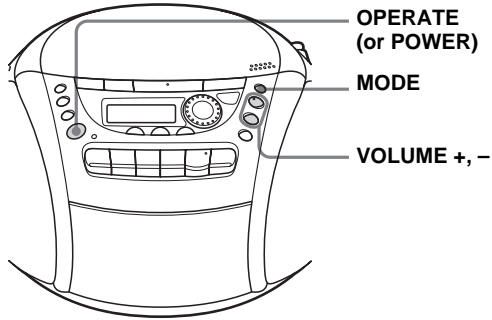
Indicates an FM stereo broadcast



The player automatically scans the radio frequencies and stops when it finds a clear station.

If you can't tune in a station, press the button repeatedly to change the frequency step by step.

Use these buttons for additional operations



Tips

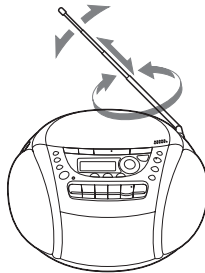
- If the FM broadcast is noisy, press MODE until “Mono” appears in the display and the radio will play in monaural.
- If you need to change the AM/MW tuning interval, see page 24.

To	Press
adjust the volume	VOLUME +*, – (VOL +, – on the remote)
turn on/off the radio	OPERATE (or POWER, see page 2)

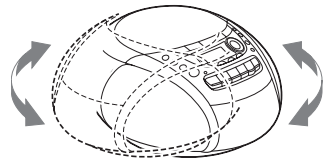
* VOLUME + has a tactile dot.

To improve broadcast reception

Reorient the aerial for FM. Reorient the player itself for AM or MW/LW.

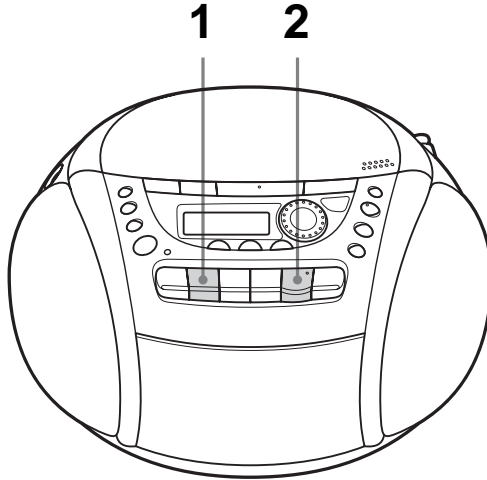


for FM



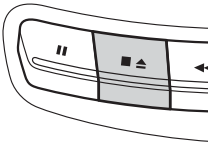
for AM/MW/LW

Playing a tape



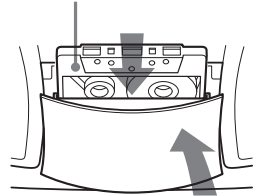
Connect the supplied mains lead (see page 23).

1

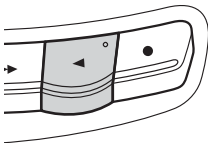


Press ■▲ to open the tape compartment and insert a recorded tape. Use TYPE I (normal) tape only. Close the compartment.

With the side you want to play facing you



2



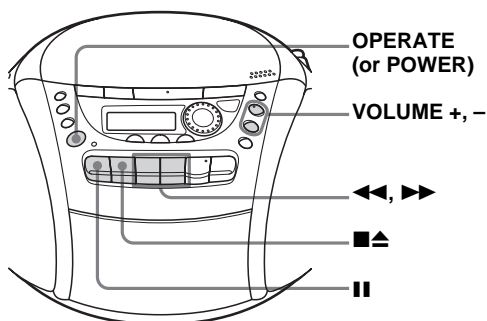
Press ▶.

The player turns on (direct power-on) and starts playing.

Display



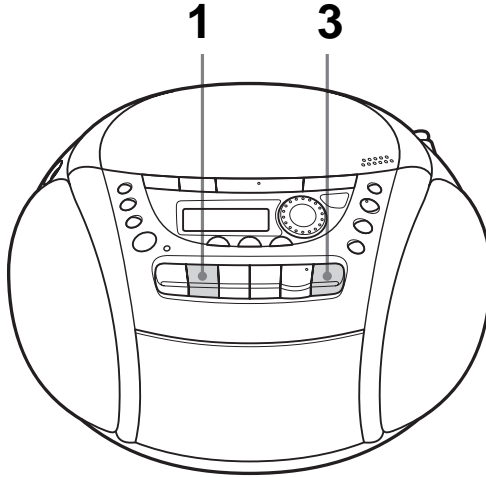
Use these buttons for additional operations



To	Press
adjust the volume	VOLUME +*, - (VOL +, - on the remote)
stop playback	■▲
fast-forward or rewind the tape	◀◀ or ▶▶
pause playback	 Press the button again to resume play after pause.
eject the cassette	■▲
turn on/off the player	OPERATE (or POWER, see page 2)

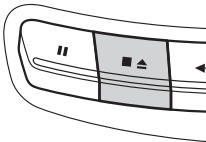
* VOLUME + and ◀ have a tactile dot.

Recording on a tape



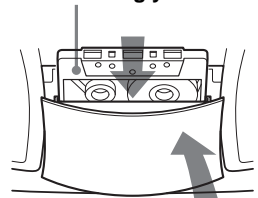
Connect the supplied mains lead (see page 23).

1

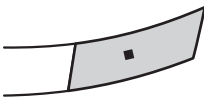


Press to open the tape compartment and insert a blank tape. Use TYPE I (normal) tape only.

With the side you want to record on facing you



2



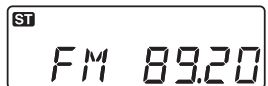
Select the programme source you want to record.

To record from the CD player, insert a CD (see page 4) and press on the CD section.

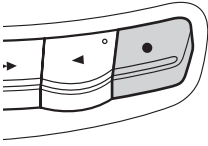
Display



To record from the radio, tune in the station you want (see page 6).

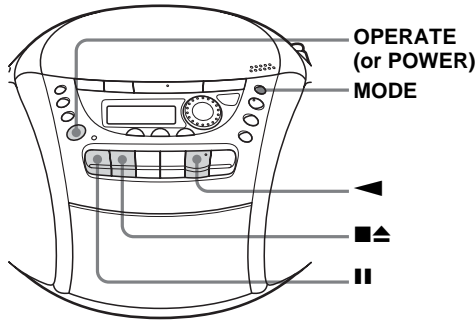


3



Press ● to start recording
(◀ is depressed automatically).

Use these buttons for additional operations



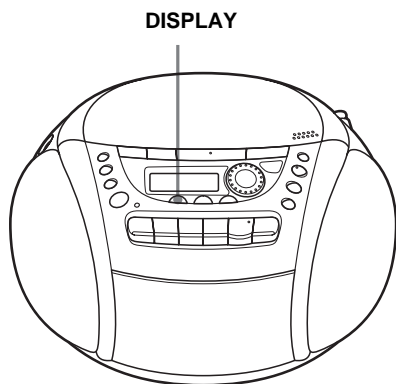
Tips

- Adjusting the volume or the audio emphasis (see page 18) will not affect the recording level.
- If the AM/MW/LW programme makes a whistling sound after you've pressed ● in step 3, press MODE to select the position of ISS (Interference Suppress Switch) that decreases the noise the most.
- For the best results, use the AC power as a power source.
- To erase a recording, proceed as follows:
 - 1 Insert the tape whose recording you want to erase.
 - 2 Press FUNCTION on the remote repeatedly until "TAPE" appears.
 - 3 Press ●.

To	Press
stop recording	■▲
pause recording	 Press the button again to resume recording.
turn on/off the player	OPERATE (or POWER, see page 2)

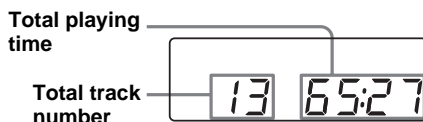
Using the display

You can check information about the CD using the display.



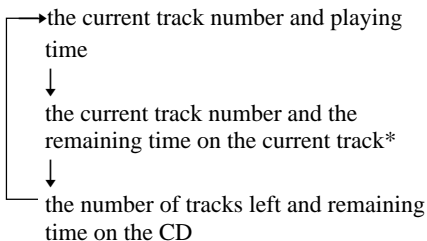
Checking the total track number and playing time

Press DISPLAY in stop mode.



Checking the remaining time

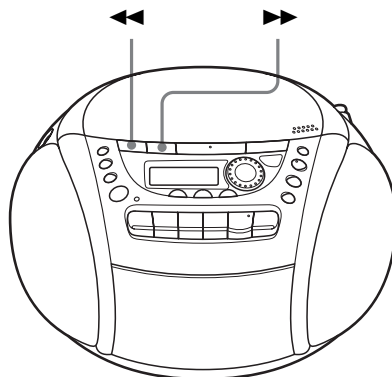
Press DISPLAY while playing a CD. The display changes as follows:



* For a track whose number is more than 20, the remaining time appears as “- -: -.”

Locating a specific point in a track

You can quickly find a specific point in a track while playing a CD.



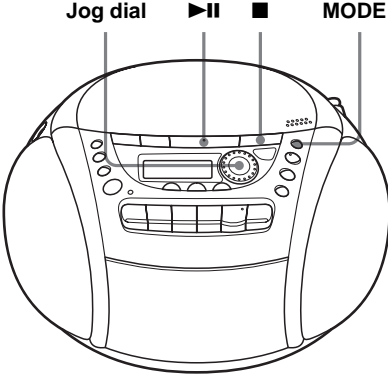
To locate	Press
a point while listening to the sound	▶▶ (forward) or ◀◀ (backward) while playing and hold down until you find the point. (On the remote, use ▶▶ or ◀◀).
a point while observing the display	▶▶ (forward) or ◀◀ (backward) in pause and hold down until you find the point. (On the remote, use ▶▶ or ◀◀).

Playing tracks repeatedly (Repeat Play)

You can play tracks repeatedly in normal, shuffle or programme play modes (see page 14).

To cancel Repeat Play

Press MODE until “REP” disappears from the display.



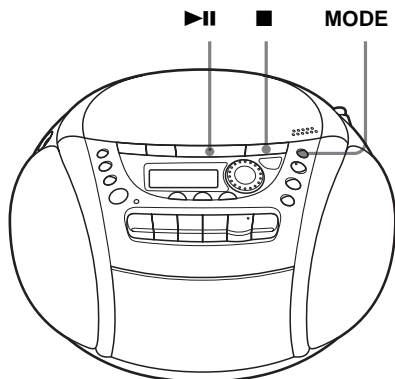
1 Press ■.
“Cd” appears in the display.

2 Proceed as follows:

To repeat	Do this
a single track	<ol style="list-style-type: none"> 1 Press MODE until “REP 1” appears. 2 Turn the jog dial to select the track that you want to repeat. 3 Press ▶ .
all the tracks	<ol style="list-style-type: none"> 1 Press MODE until “REP ALL” appears. 2 Press ▶ .
tracks in random order	<ol style="list-style-type: none"> 1 Press MODE until “SHUF REP” appears. 2 Press ▶ .
programmed tracks	<ol style="list-style-type: none"> 1 Press MODE until “PGM REP” appears. 2 Programme tracks (see step 3 on page 14). 3 Press ▶ .

Playing tracks in random order (Shuffle Play)

You can play tracks in random order.



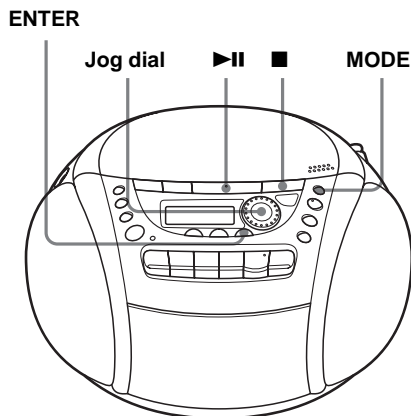
- 1 Press ■.
"Cd" appears in the display.
- 2 Press MODE until "SHUF" appears in the display.
- 3 Press ▶|| to start shuffle play.

To cancel Shuffle Play

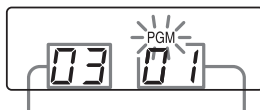
Press MODE until "SHUF" disappears from the display.

Creating your own programme (Programme Play)

You can arrange the playing order of up to 20 tracks on a CD.



- 1 Press ■.
"Cd" appears in the display.
- 2 Press MODE until "PGM" appears in the display.
- 3 Turn the jog dial to select the track you want to programme, and press ENTER. Repeat this step.



Programmed track Playing order

- 4 Press ▶|| to start programme play.

To cancel Programme Play

Press MODE until “PGM” disappears from the display.

To check the order of tracks before play

Press ENTER.

Every time you press the button, the track number appears in the programmed order.

To change the current programme

Press ■ once if the CD is stopped and twice if the CD is playing. The current programme will be erased. Then create a new programme following the programming procedure.

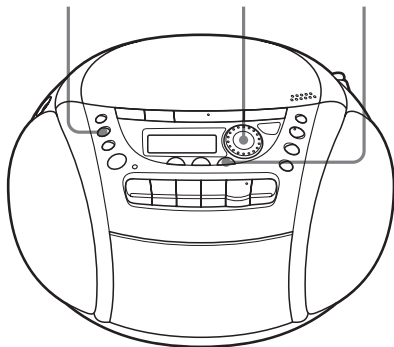
Tips

- You can play the same programme again, since the programme is saved until you open the CD compartment.
- You can record your own programme. After you've created the programme, insert a blank tape and press ● to start recording.

Presetting radio stations

You can store radio stations into the player's memory. You can preset up to 30 radio stations (CFD-E90), 20 for FM and 10 for AM in any order or 40 radio stations (CFD-E90L), 20 for FM and 10 for MW and LW in any order.

**RADIO
BAND
AUTO PRESET** **Jog dial** **ENTER**



If a station cannot be preset automatically

You need to preset a station with a weak signal manually.

- 1 Press **RADIO•BAND•AUTO PRESET** to select the band.
- 2 Tune in a station you want.
- 3 Hold down **ENTER** for 2 seconds.
- 4 Select the preset number you want to preset the new station on by turning the jog dial.
- 5 Press **ENTER**.

The new station replaces the old one.

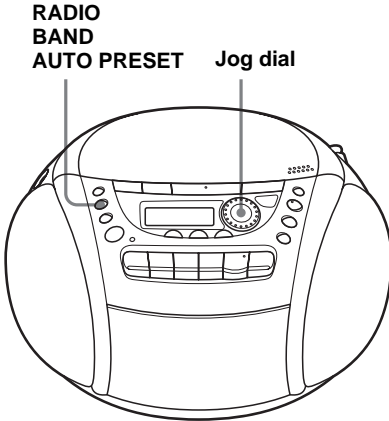
1 Press **RADIO•BAND•AUTO PRESET** to select the band.

2 Hold down **RADIO•BAND•AUTO PRESET** for 2 seconds until “**AUTO**” appears in the display.

3 Press **ENTER**.
The stations are stored in memory from the lower frequencies to the higher ones.

Playing preset radio stations

Once you've preset the stations, use the jog dial on the player or PRESET +, - on the remote to tune in to your favourite stations.



-
- 1** Press RADIO•BAND•AUTO PRESET to select the band.
 - 2** Turn the jog dial to tune in the stored station.
-

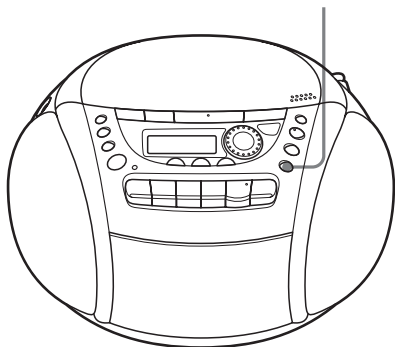
On the remote

- 1 Press BAND until the band you want appears in the display.
- 2 Press PRESET +, - to tune in a stored station.

Selecting the audio emphasis (MEGA BASS)

You can adjust the audio emphasis of the sound you are listening to.

MEGA BASS



Reinforcing the bass sound

Press MEGA BASS.

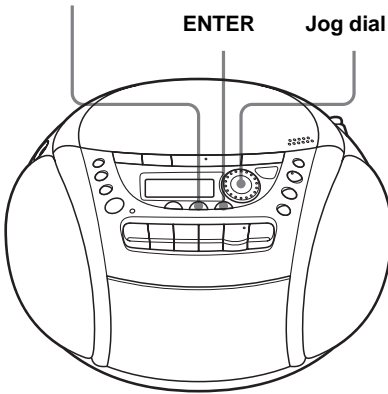
“MEGA BASS” appears in the display.

To return to normal sound, press the button again.

Setting the clock

“--:--” indication appears in the display until you set the clock.

CLOCK/SLEEP/TIMER

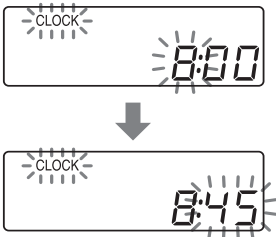


Before you set the clock, connect the power source (see page 23).

- 1 Hold down **CLOCK/SLEEP/TIMER** until “**CLOCK**” appears in the display. The hour digit flashes.



- 2 Turn the jog dial to set the current hour. Then press **ENTER**. The minute digits flash. Set the minutes by turning the jog dial until the correct minute is displayed.



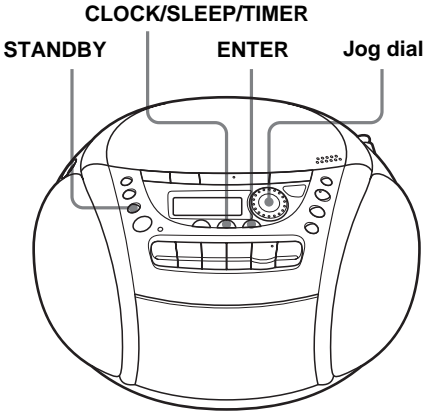
- 3 Press **ENTER**. The clock starts from 00 seconds.

Tip

The time display system:
CFD-E90: 12-hour system
CFD-E90L: 24-hour system

Waking up to music

You can wake up to music or a radio programme at a preset time. Make sure you have set the clock (“Setting the clock” on page 19).



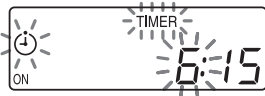
Before you begin, make sure the ⏰ (clock) indication is not lit in the display. If it is lit, press STANDBY.

- 1 Prepare the music source you want to play.

To play	Do this
the radio	Tune in a station.
a CD	Insert a CD.

- 2 Press CLOCK/SLEEP/TIMER until “TIMER” appears in the display, then press ENTER. The ⏰ (clock) indication flashes.

- 3 Set the timer to the hour you want the music to start by turning the jog dial, then press ENTER.

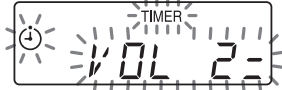


Set the minutes, then press ENTER.

- 4 Set the timer to the hour and the minutes you want the music to go off. (Do as step 3.)

- 5 Select the music source (“Cd” or “RADIO”) by turning the jog dial, then press ENTER.

- 6 Turn the jog dial to set the volume, then press ENTER.



- 7 Press STANDBY. The ⏰ indication lights up and the power goes off. At the preset time, the power will go on, and the music will play. Then the power will go off at the preset time, and the player will enter into the standby mode.

To check/change when the playback will start

Press CLOCK/SLEEP/TIMER until “TIMER” appears in the display, then press ENTER. Each time you press ENTER, a stored setting is displayed in the set order. To change the setting, display the setting you want to change and re-enter it.

To use the player before a timer playback starts

Just turn on the player, and then you can use it.

If you turn off the player before the preset time, timer playback will start at the preset time.

In case of the radio, however, if you listen to the station which is different from the one you tuned in step 1 on page 20, you will hear that station at the preset time. Make sure to tune in the station you want to listen to before you turn off the player.

To stop play

Press OPERATE (or POWER) to turn off the power.

Notes

- When you press STANDBY in step 7 on page 20, make sure that ◀ or ● button of the tape player is not pressed.
- When you press ◀ or ● button of the tape player in the timer mode:
If the tape length of one side is longer than the set time, the player will be turned off at the end of the tape, not at the set time.

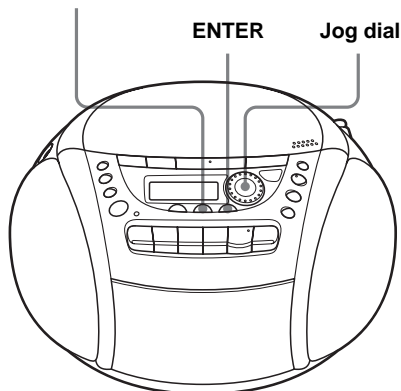
Tips

- To exit the standby mode, press STANDBY to make ⏻ disappear from the display.
- The preset settings remain until you reset them.

Falling asleep to music

You can set the player to turn off automatically after 10, 20, 30, 60, 90, and 120 minutes, allowing you to fall asleep while listening to music.

CLOCK/SLEEP/TIMER



- 1 Play the music source you want.
- 2 Press CLOCK/SLEEP/TIMER until "SLEEP" appears in the display, and press ENTER.
- 3 Turn the jog dial to select the minutes until the player goes off automatically. Each time you turn the jog dial, the indication changes as follows:
"60" → "90" → "120" → "OFF" → "10" → "20" → "30."



continued

Falling asleep to music (continued)

To cancel the sleep function

Press OPERATE (or POWER) to turn off the power.

Note

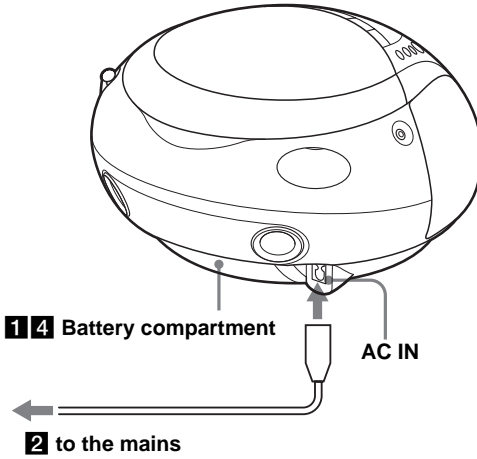
When you are playing a tape using this function:
If the tape length of one side is longer than the set time, the player will not go off until the tape reaches the end.

Tips

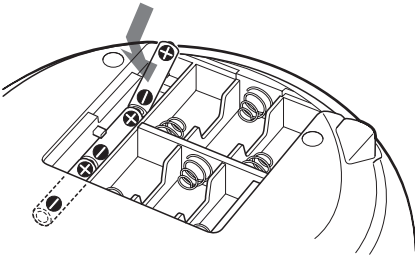
- You can fall asleep and wake up to different music. Set the waking up timer first (see page 20), turn on the power, and then set the sleeping timer. However, you cannot store different radio stations.
- You can set different volume for the waking up timer and the sleeping timer. For instance, you can sleep at lower volume and wake up at higher volume.

Choosing the power sources

You can use the AC power or batteries as a power source.

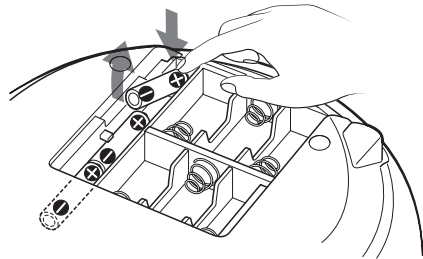


1 Inserting the back-up batteries
Insert three R6 (size AA) batteries (not supplied) into the battery compartment. These batteries work to save the memory data.



Replacing batteries

Take out the batteries as illustrated.



Note

Before you replace the batteries, be sure to take out the CD from the player.

Choosing the power sources (continued)

2 Connecting the mains lead

Insert one end of the supplied mains lead to the AC IN socket located at the rear of the player, and the other end to the mains.

Changing the AM/MW tuning interval

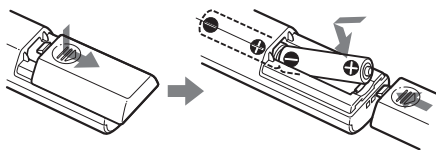
The AM/MW tuning interval is preset to 9 kHz at the factory.

If you need to change the AM/MW tuning interval, do the following:

- 1 Press RADIO•BAND•AUTO PRESET until “AM” or “MW” is displayed.
- 2 Press ENTER for 2 seconds.
- 3 Press RADIO•BAND•AUTO PRESET for 2 seconds.
“AM 9” “MW 9” or “AM 10” “MW 10” flashes.
- 4 Turn the jog dial to select “AM 9” “MW 9” for 9 kHz interval or “AM 10” “MW 10” for 10 kHz interval.
- 5 Press ENTER.

After changing the tuning interval, you need to reset your preset AM/MW radio stations.

3 Inserting batteries into the remote



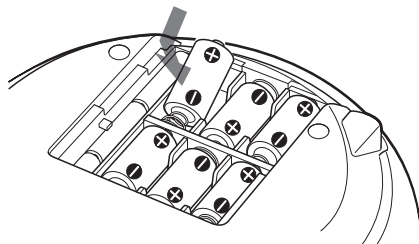
Insert two R03 (size AAA) batteries (not supplied).

Replacing batteries

With normal use, the batteries should last for about six months. When the remote no longer operates the player, replace all the batteries with new ones.

4 Using the player on batteries

Insert six R14 (size C) batteries (not supplied) into the battery compartment. To use the player on batteries, disconnect the mains lead from the player.



Replacing batteries

Replace the batteries when the OPR/BATT indicator dims or when the player stops operating. Replace all the batteries with new ones.

Notes

- Before you replace the batteries, be sure to take out the CD from the player.
- When you operate the player on the batteries, you cannot turn on the player with remote.

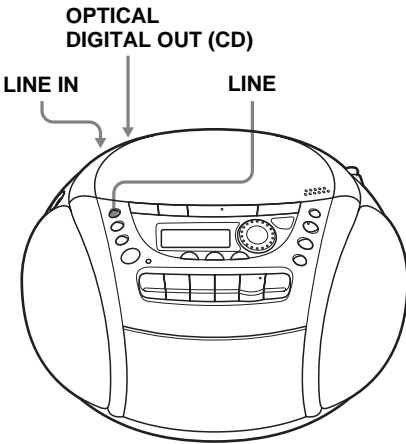
Tip

When you operate the player on batteries, replace the back-up batteries when the time display dims or when you cannot operate the timer. Replace all the batteries with new ones. With normal use, the back-up batteries should last for about six months. To save the memory data, replace the batteries with the mains lead connected.

Connecting optional components (CFD-E90L only)

You can record a CD on a MiniDisc or enjoy the sound from a VCR, TV or MiniDisc player/recorder through the speakers of this player.

Be sure to turn off the power of each component before making connections. For details, refer to the instruction manual of the component to be connected.

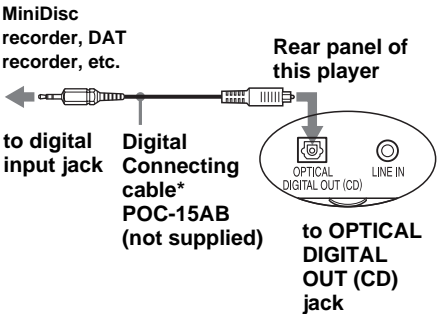


The type of the jack of the component to be connected	Model number of the connecting cable
Optical miniplug (MiniDisc recorder, etc.)	POC-15AB
Square-shaped optical connector (MiniDisc recorder, DAT recorder, etc.)	POC-15A

- 1 Open the cover of the MD LINK jacks of this player and connect the OPTICAL DIGITAL OUT (CD) jack with the digital input jack of the MiniDisc recorder or other component using the digital connecting cable (not supplied) .
- 2 Turn on the power of this player and the connected component.
- 3 Make the connected component ready for recording.
- 4 Start playing a CD on this player.

Setting Up

Recording a CD on a MiniDisc recorder and DAT recorder

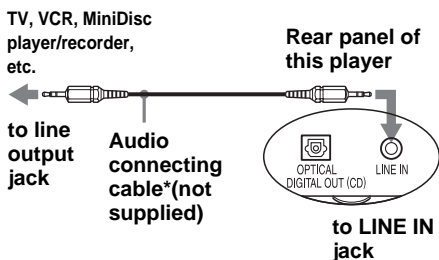


* Select a connecting cable depending on the type of the digital input jack of the recorder to be connected. For details, refer to the instruction manual of the component to be connected. The OPTICAL DIGITAL OUT (CD) jack of this unit is square-shaped jack.

continued

Connecting optional components (continued)

Listening to TV, VCR and MiniDisc player/recorder



* For MiniDisc recorder: a cable with a stereo-mini plug on both ends.

For TV, VCR: a cable with a stereo-mini plug on one end and two phono plugs on the other end.

- 1 Open the cover of the MD LINK jacks of this player and connect the LINE IN jack with the line output jack of the MiniDisc player or other component using the audio connecting cable (not supplied).
- 2 Turn on the power of this player and the connected component.
- 3 Press LINE and start playing sound on the connected component.
The sound from the connected component is output from the speakers.

Note

Connect the cords firmly to avoid any malfunction.

Tip

You can record the sound of the connected component. Insert a blank tape into the tape compartment, and press ● (page 11).

Precautions

On safety

- As the laser beam used in the CD player section is harmful to the eyes, do not attempt to disassemble the casing. Refer servicing to qualified personnel only.
- Should any solid object or liquid fall into the player, unplug the player, and have it checked by qualified personnel before operating it any further.
- Discs with non-standard shapes (e.g., heart, square, star) cannot be played on this player. Attempting to do so may damage the player. Do not use such discs.

On power sources

- For AC operation, check that the player's operating voltage is identical with your local power supply (see "Specifications") and use the supplied mains lead; do not use any other type.
- The player is not disconnected from the AC power source (mains) as long as it is connected to the mains, even if the player itself has been turned off.
- For battery operation, use six R14 (size C) batteries.
- When the batteries are not to be used, remove them to avoid damage that can be caused by battery leakage or corrosion.
- The nameplate indicating operating voltage, power consumption, etc. is located at the bottom.

On placement

- Do not leave the player in a location near heat sources, or in a place subject to direct sunlight, excessive dust or mechanical shock.
- Do not place the player on an inclined or unstable place.
- Do not place anything within 10 mm of the side of the cabinet. The ventilation holes must be unobstructed for the player to operate properly and prolong the life of its components.
- If the player is left in a car parked in the sun, be sure to choose a location in the car where the player will not be subjected to the direct rays of the sun.
- Since a strong magnet is used for the speakers, keep personal credit cards using magnetic coding or spring-wound watches away from the player to prevent possible damage from the magnet.

On operation

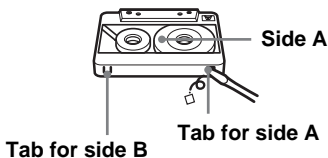
- If the player is brought directly from a cold to a warm location, or is placed in a very damp room, moisture may condense on the lens inside the CD player section. Should this occur, the player will not operate properly. In this case, remove the CD and wait about an hour for the moisture to evaporate.
- If the player has not been used for a long time, set it in the playback mode to warm it up for a few minutes before inserting a cassette.

continued

Precautions (continued)

Notes on cassettes

- Break off the cassette tab from side A or B to prevent accidental recording. If you want to reuse the tape for recording, cover the broken tab with adhesive tape.



- The use of a cassette with more than 90 minutes of play time is not recommended except for long, continuous recording or playback.

Notes on CDs

- Before playing, clean the CD with a cleaning cloth. Wipe the CD from the center out.



- Do not use solvents such as benzene, thinner, commercially available cleaners or anti-static spray intended for vinyl LPs.
- Do not expose the CD to direct sunlight or heat sources such as hot air ducts, nor leave it in a car parked in direct sunlight as there can be a considerable rise in temperature inside the car.
- Do not stick paper or sticker on the CD, nor scratch the surface of the CD.
- After playing, store the CD in its case.

If there is a scratch, dirt or fingerprints on the CD, it may cause tracking error.

About CD-Rs/CD-RWs

This CD player can play CD-Rs/CD-RWs recorded in the CD-DA format*, but playback capability may vary depending on the quality of the disc and the condition of the recording device.

* CD-DA is the abbreviation for Compact Disc Digital Audio. It is a recording standard used for the Audio CDs.

Music discs encoded with copyright protection technologies

This product is designed to play back discs that conform to the Compact Disc (CD) standard. Recently, various music discs encoded with copyright protection technologies are marketed by some record companies. Please be aware that among those discs, there are some that do not conform to the CD standard and may not be playable by this product.

If you have any questions or problems concerning your player, please consult your nearest Sony dealer.

Troubleshooting

General

The power is not on.

- Connect the mains lead to the AC IN socket and a wall outlet securely.
- Make sure the batteries are inserted correctly.
- Replace all the batteries with new ones if they are weak.
- You cannot turn on the player with the remote when you operate the player on batteries.

There is no audio.

- Unplug the headphones when listening through speakers.

The power is turned off abruptly.

- Replace all the batteries with new ones.

Unusual sound is heard.

The sound is noisy, weak or has poor quality.

- Replace all the batteries with new ones if they are weak.

Various indications appear in the display one after another.

- The player is in the demonstration mode.
 - Set the clock, or turn on and then press DISPLAY for about 2 seconds to cancel the demonstration mode.

Noise is heard.

- Someone is using a portable telephone or other equipment that emits radio waves near the player.
 - Move the portable telephone, etc., away from the player.

CD Player

The CD does not play or “no diSC” lights in the display even when a CD is in place.

- Place the CD with the label surface up.
- Clean the CD.
- Take out the CD and leave the CD compartment open for about an hour to dry moisture condensation.
- The CD-R/CD-RW was not finalized. Finalize the CD-R/CD-RW with the recording device.
- There is a problem with the quality of the CD-R/CD-RW, recording device, or application software.
- Replace all the batteries with new ones if they are weak.

The sound drops out.

Noise is heard.

- Reduce the volume.
- Clean the CD, or replace it if the CD is badly damaged.
- Place the player in a location free from vibration.
- Clean the lens with a commercially available blower.
- The sound may drop out or noise may be heard when using poor quality CD-Rs/CD-RWs or if there is a problem with the recording device or application software.

You cannot open/close the lid of the CD compartment.

- Place the player on a level surface and open/close the lid.

Radio

The audio is weak or has poor quality.

- Replace all the batteries with new ones if they are weak.
- Move the player away from the TV.
- If you are using the remote while listening to an AM (CFD-E90) or MW/LW (CFD-E90L) radio, noise may be heard. This is unavoidable.

The picture of your TV becomes unstable.

- If you are listening to an FM programme near the TV with an indoor antenna, move the player away from the TV.

Troubleshooting (continued)

Tape Player

The tape does not move when you press an operation button.

- Close the tape compartment securely.

The REC ● button does not function.

The tape does not play.

- Make sure the safety tab on the cassette is in place.

The tape does not erase completely.

- Clean the erasing head (see page 31).
- Replace all the batteries with new ones if they are weak.
- The source which was recorded on TYPE II (high position) or TYPE IV (metal) tape using this unit is being played. Record on TYPE I (normal) tape and play.

The tape does not record.

- Make sure the tape is inserted properly.
- Make sure the safety tab of the cassette is in place.

The audio is weak.

The audio quality is poor.

- Clean the heads, pinch roller and capstan (see page 31).
- Demagnetize the heads using a demagnetizer (see page 31).

The sound is distorted.

- The TYPE II (high position) or TYPE IV (metal) tape is being used. Use TYPE I (normal) tape only.

Timer

The timer does not operate.

- Make sure the time on the clock is correct.
- Check to see if the AC power had been cut off.
- Make sure the ⌚ (clock) indication is displayed.

Remote

The remote does not function.

- Replace all the batteries in the remote with new ones if they are weak.
- Make sure that you are pointing the remote at the remote sensor on the player.
- Remove any obstacles in the path of the remote and the player.
- Make sure the remote sensor is not exposed to strong light such as direct sunlight or fluorescent lamp light.
- Move closer to the player when using the remote.

After trying the above remedies, if you still have problems, unplug the mains lead and remove all the batteries. After all the indications in the display disappear, plug the mains lead and insert the batteries again. If the problem persists, please consult your nearest Sony dealer.

Maintenance

Cleaning the lens

If the lens becomes dirty, it may cause a skipping of sound during CD operation. Clean with a commercially available blower.

Cleaning the tape heads and tape path

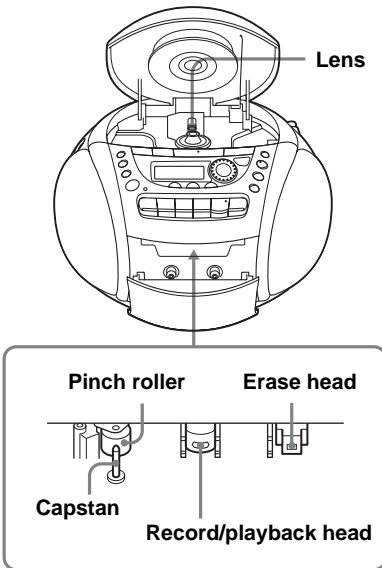
Wipe the heads, the pinch roller and the capstan with a cleaning swab slightly moistened with cleaning fluid or alcohol after every 10 hours of operation for optimum playback and recording quality. To make the best possible recording, however, we recommend that you clean all surfaces over which tape travels before each recording.

Demagnetizing the tape heads

After 20 to 30 hours of use, enough residual magnetism will have built up on the tape heads to begin to cause loss of high frequency sound and hiss. At this time, you should demagnetize the heads and all metal parts in the tape path with a commercially available tape head demagnetizer.

Cleaning the cabinet

Clean the cabinet, panel and controls with a soft cloth slightly moistened with a mild detergent solution. Do not use any type of abrasive pad, scouring powder, or solvent, such as alcohol or benzine.



After cleaning, insert a tape when the areas cleaned are completely dry.

Specifications

CD player section

System

Compact disc digital audio system

Laser diode properties

Material: GaAlAs

Wave length: 780 nm

Emission duration: Continuous

Laser output: Less than 44.6 μ W

(This output is the value measured at a distance of about 200 mm from the objective lens surface on the optical pick-up block with 7 mm aperture.)

Spindle speed

200 r/min (rpm) to 500 r/min (rpm) (CLV)

Number of channels

2

Frequency response

20 - 20 000 Hz

Wow and flutter

Below measurable limit

Radio section

Frequency range

CFD-E90

FM 87.5 - 108 MHz

AM 531 - 1 611 kHz (9 kHz step)
530 - 1 610 kHz (10 kHz step)

CFD-E90L

FM 87.5 - 108 MHz

MW 531 - 1 611 kHz (9 kHz step)
530 - 1 610 kHz (10 kHz step)

LW 153 - 279 kHz

IF

FM: 10.7 MHz

AM/MW/LW: 450 kHz

Aerials

FM: Telescopic aerial

AM/MW/LW: Built-in ferrite bar aerial

Cassette-corder section

Recording system

4-track 2 channel stereo

Fast winding time

Approx. 110 sec. with Sony cassette C-60

Frequency response

TYPE I (normal): 50 - 15 000 Hz

General

Speaker

Full range: 8 cm (3 1/4 in.) dia., 4 Ω , cone type (2)

Outputs

Headphones jack (stereo minijack)

For 16 - 68 Ω impedance headphones

Maximum power output

4 W

Power requirements

For CD radio cassette-corder:

Korean model: 220 V AC, 60 Hz

Other models: 230 V AC, 50 Hz

9 V DC, 6 R14 (size C) batteries

For memory back-up:

4.5 V DC, 3 R6 (size AA) batteries

For remote control:

3 V DC, 2 R03 (size AAA) batteries

Power consumption

AC 14 W

Battery life

For CD radio cassette-corder:

FM recording

Sony R14P: approx. 13.5 h

Sony alkaline LR14: approx. 20 h

Tape playback

Sony R14P: approx. 7.5 h

Sony alkaline LR14: approx. 15 h

CD playback

Sony R14P: approx. 2.5 h

Sony alkaline LR14: approx. 7 h

Dimensions

Approx. 272 \times 164 \times 285 mm (w/h/d)

(10 3/4 \times 6 1/2 \times 11 1/4 inches) (incl. projecting parts)

Mass

Approx. 3 kg (6 lb. 10 oz) (incl. batteries)

Supplied accessories

Mains lead (1)

Remote control (1)

Design and specifications are subject to change without notice.

Optional accessories

Sony MDR headphones series

Index

A

Audio emphasis 18

B

Batteries

- for memory 23
- for player 24
- for remote 24

C

CD player 12

Choosing power sources 23

Cleaning

- cabinet 31
- tape heads and tape path 31

Connecting

- mains lead 23
- optional components 25

Creating your own programme 14

D, E, F, G, H

Demagnetizing the tape heads 31

Display 12

I, J, K

Improving broadcast reception 7

L

Listening

- to the radio 6
- to the TV, VCR and MD player 26

Locating a specific track 12

M, N, O

MEGA BASS 18

P, Q

Playing

- a CD 4
- a tape 8
- preset radio stations 17
- tracks repeatedly 13

Power sources 23

Presetting radio stations 16

Programme Play 14

R

Radio stations

- playing 17
- presetting 16

Recording on a tape 10

Repeat Play 13

S

Selecting

- audio emphasis 18
- tracks 5

Setting the clock 19

Setting up 23

Shuffle Play 14

T

Timer

- Falling asleep to music 21

- Waking up to music 20

Troubleshooting 29

U, V, W, X, Y, Z

Using the display 12

Advertencia

Para evitar incendios o el riesgo de electrocución, no exponga el reproductor a la lluvia ni a la humedad.

Para evitar descargas eléctricas, no abra el sistema. En caso de avería, solicite sólo los servicios de personal especializado.

Advertencia

No instale el aparato en un espacio cerrado, como una estantería para libros o un armario empotrado.

Para evitar el peligro de incendio o descarga eléctrica, no coloque objetos con líquido, como jarrones, sobre el aparato.

Acerca de este manual

Las instrucciones de este manual hacen referencia a los modelos CFD-E90 y CFD-E90L. Antes de comenzar a leerlas, compruebe el número de modelo. Se ha utilizado el modelo CFD-E90L para las ilustraciones.

Nota

El nombre del interruptor para encender y apagar este reproductor se indica de la siguiente forma:
“OPERATE”: CFD-E90L
“POWER”: CFD-E90

Índice

Procedimientos básicos

Reproducción de un CD	4
Radiorecepción	6
Reproducción de cintas	8
Grabación en una cinta	10

Reproductor de discos compactos (CD)

Utilización del visor	12
Localización de un punto específico en una pista	12
Reproducción repetida de las pistas (Reproducción repetida)	13
Reproducción de pistas en orden aleatorio (Reproducción aleatoria)	14
Creación de su propio programa (Reproducción programada)	14

Radio

Memorización de emisoras de radiodifusión	16
Sintonía de emisoras memorizadas	17

Énfasis de sonido

Selección del énfasis de audio (MEGA BASS)	18
--	----

Temporizador

Ajuste del reloj	19
Activación automática de la unidad	20
Desactivación automática de la unidad	21

Preparativos

Selección de la fuente de alimentación	23
Conexión de componentes opcionales (sólo CFD-E90L)	25

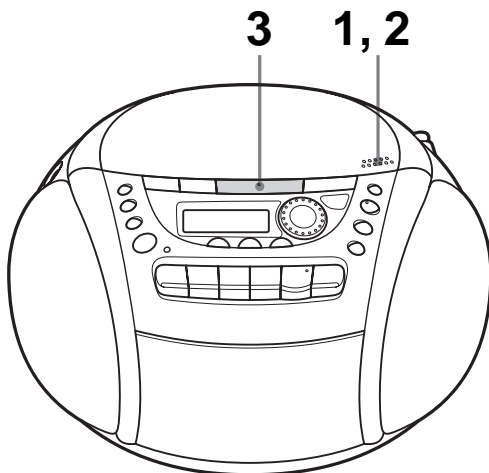
Información complementaria

Precauciones	27
Solución de problemas	29
Mantenimiento	31
Especificaciones	32
Índice alfabético	33

Acerca del modo de demostración

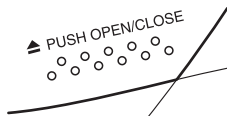
Si aparece "HELLO" (Hola) en la pantalla significa que el reproductor está en modo de demostración. Para salir de este modo, ajuste el reloj o pulse DISPLAY durante aproximadamente 2 segundos.

Reproducción de un CD

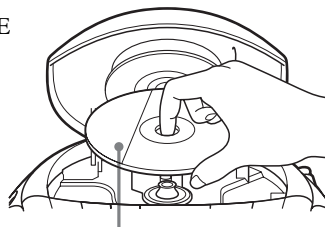


Conecte el cable de alimentación suministrado (consulte la página 23).

1

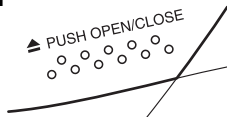


Presione **▲PUSH OPEN/CLOSE** para abrir el compartimento de discos y coloque el CD.

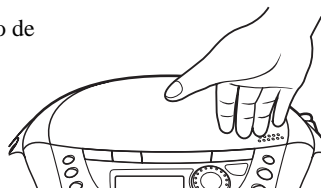


Con el lado de la etiqueta hacia arriba

2



Cierre la tapa del compartimento de discos.



3



Presione **▶▶**.

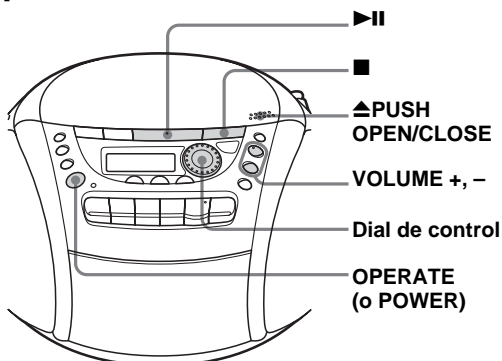
El reproductor se enciende (activación directa) y reproduce todas las pistas una vez.



Número de pista

Tiempo de reproducción

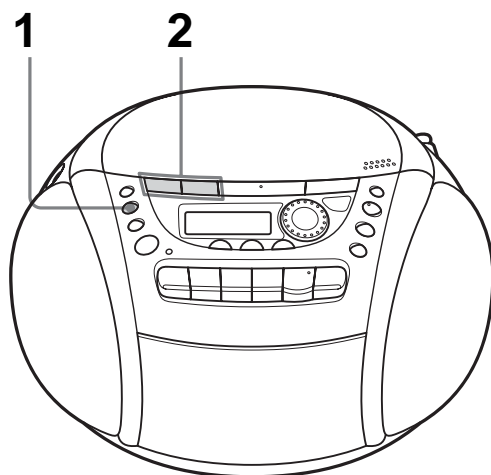
Utilice estos botones para realizar procedimientos adicionales



Para	Realice lo siguiente
ajustar el volumen	Presione VOLUME +*, - (VOL +, - en el mando a distancia).
detener la reproducción	Presione ■.
realizar una pausa	Presione ►II*. Vuelva a presionar el botón para reanudar la reproducción después de la pausa.
pasar a la siguiente pista	Gire el dial de control en el sentido de las agujas del reloj. (En el mando a distancia, presione ►►.)
retroceder a la pista anterior	Gire el dial de control en el sentido contrario a las agujas del reloj. (En el mando a distancia, presione ◀◀.)
extraer el disco	Presione ▲PUSH OPEN/CLOSE.
encender/apagar el reproductor	Presione OPERATE. (o POWER, consulte la página 2).

* El botón tiene un punto táctil.

Radiorecepción



Conecte el cable de alimentación suministrado (consulte la página 23).

1



Presione RADIO•BAND•AUTO PRESET hasta que la banda que desee aparezca en el visor (activación directa).

Visor

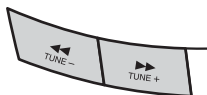


Cada vez que pulse el botón, la banda cambiará de la siguiente forma:

CFD-E90: “FM” → “AM”

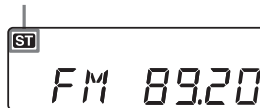
CFD-E90L: “FM” → “MW” → “LW”

2



Mantenga presionado TUNE + o TUNE - hasta que los dígitos de frecuencia comiencen a cambiar en el visor.

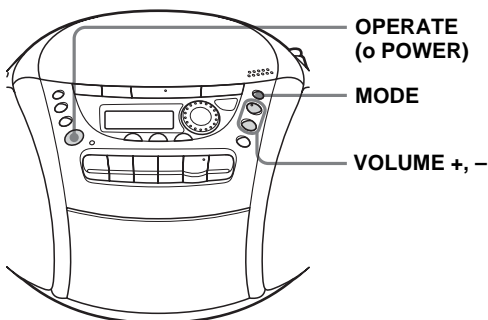
Indica una emisión estéreo de FM



El reproductor explora automáticamente las frecuencias de radio y se detiene al encontrar una emisora con sonido nítido.

Si no puede sintonizar una emisora, presione el botón varias veces y cambie la frecuencia intervalo a intervalo.

Utilice estos botones para realizar procedimientos adicionales



Sugerencias

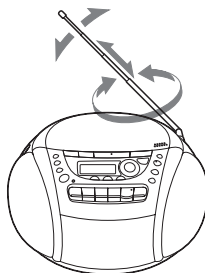
- Si la emisión en FM presenta ruido, presione MODE hasta que aparezca "Mono" en el visor; la radio sintonizará la emisión en modo monofónico.
- Si es preciso cambiar el intervalo de sintonización de AM/MW, consulte la página 24.

Para	Presione
ajustar el volumen	VOLUME +*, - (VOL +, - en el mando a distancia)
encender/apagar la radio	OPERATE (o POWER, consulte la página 2)

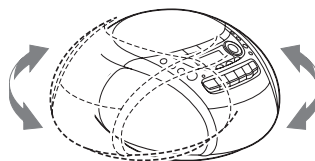
* El botón VOLUME + tiene un punto táctil.

Para mejorar la recepción de la radio

Reoriente la antena para FM y el reproductor para AM o MW/LW.

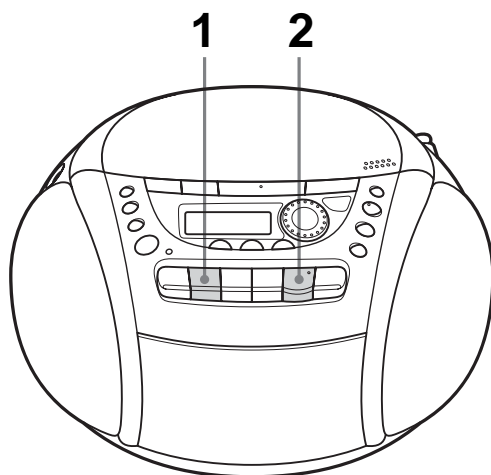


Para FM



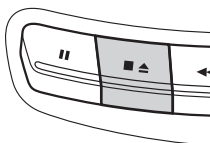
Para AM/MW/LW

Reproducción de cintas



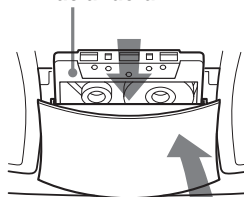
Conecte el cable de alimentación suministrado (consulte la página 23).

1

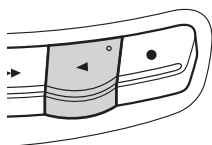


Presione ■▲ para abrir el compartimiento de la cinta e inserte una cinta grabada. Emplee sólo cintas TYPE I (normal). Cierre el compartimiento.

Con la cara que desee reproducir orientada hacia fuera



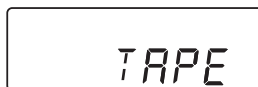
2



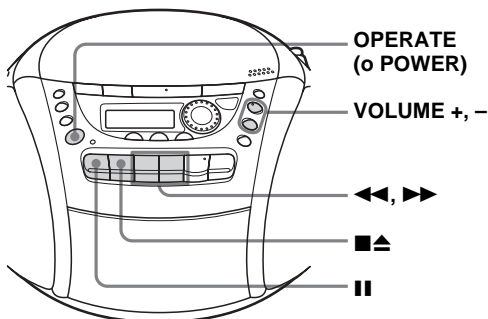
Presione ◀.

El reproductor se enciende (activación directa) e inicia la reproducción.

Visor



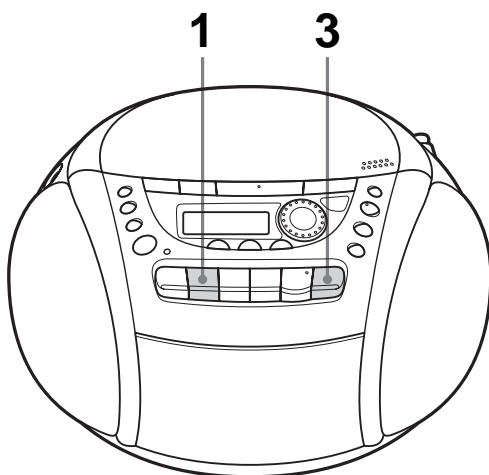
Utilice estos botones para realizar procedimientos adicionales



Para	Presione
ajustar el volumen	VOLUME +*, - (VOL +, - en el mando a distancia)
detener la reproducción	■▲
avanzar rápidamente o rebobinar la cinta	◀◀ o ▶▶
realizar una pausa	 Vuelva a presionar el botón para reanudar la reproducción después de la pausa.
extraer el casete	■▲
encender/apagar el reproductor	OPERATE (o POWER, consulte la página 2)

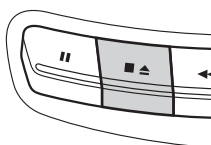
* Los botones VOLUME + y ◀ tienen un punto táctil.

Grabación en una cinta



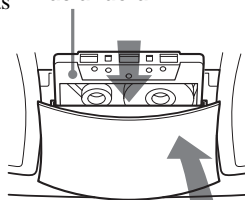
Conecte el cable de alimentación suministrado (consulte la página 23).

1

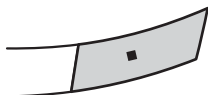


Presione ■▲ para abrir el compartimento de cintas e inserte una cinta virgen. Emplee sólo cintas TYPE I (normal).

Con la cara en la que desea grabar orientada hacia fuera



2



Seleccione la fuente de programa que desee grabar.

Para grabar desde el reproductor de discos compactos, inserte un CD (consulte la página 4) y presione ■ de la sección de CD.

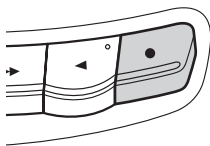
Visor



Para grabar desde la radio, sintonice la emisora que desee (consulte la página 6).

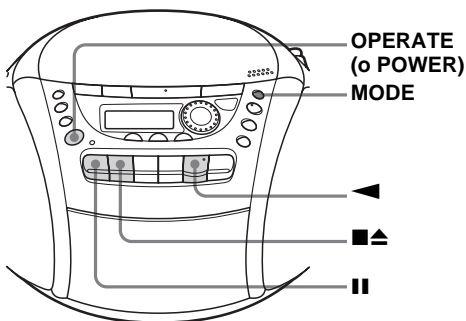


3



Presione ● para iniciar la grabación
(◀ se presiona automáticamente).

Utilice estos botones para realizar operaciones adicionales



Sugerencias

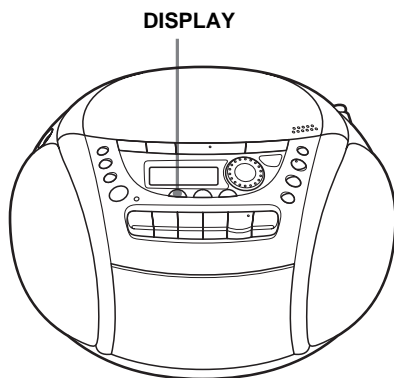
- El ajuste del volumen o del énfasis de sonido (consulte la página 18) no afectará al nivel de grabación.
- Si el programa de AM/MW/LW se recibe con un sonido silbante después de pulsar ● en el paso 3, presione MODE para seleccionar la posición de ISS (Interruptor de supresión de interferencias) que permita disminuir el ruido al máximo.
- Para obtener los mejores resultados posibles, emplee la fuente de alimentación de CA.
- Para borrar grabaciones, realice lo siguiente:
 - 1 Inserte la cinta cuya grabación desee borrar.
 - 2 Pulse FUNCTION en el mando a distancia varias veces hasta que aparezca "TAPE".
 - 3 Presione ●.

Para	Presione
detener la grabación	■▲
realizar una pausa durante la grabación	 Vuelva a presionar el botón para reanudar la grabación.
encender/apagar el reproductor	OPERATE (o POWER, consulte la página 2)

Reproductor de discos compactos (CD)

Utilización del visor

Puede comprobar la información sobre el disco en el visor.



Comprobación del número total de pistas y del tiempo de reproducción

Presione DISPLAY en modo de parada.

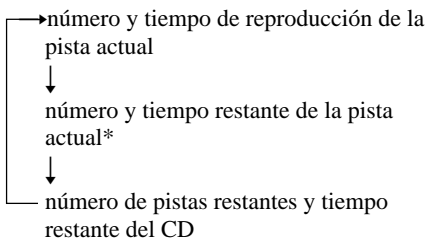
Tiempo total de reproducción

Número total de pistas



Comprobación del tiempo restante

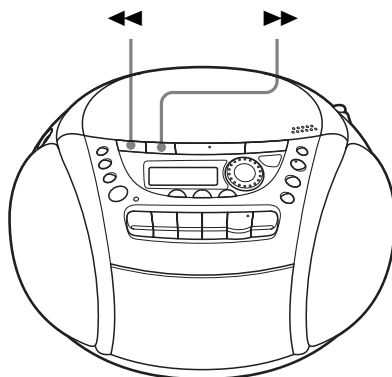
Presione DISPLAY mientras reproduce un disco. La indicación cambia de la siguiente forma:



* Para las pistas de número superior a 20, el tiempo restante aparece en el visor con la forma “_:_:--”.

Localización de un punto específico en una pista

Es posible encontrar un punto específico en una pista rápidamente mientras se reproduce un CD.

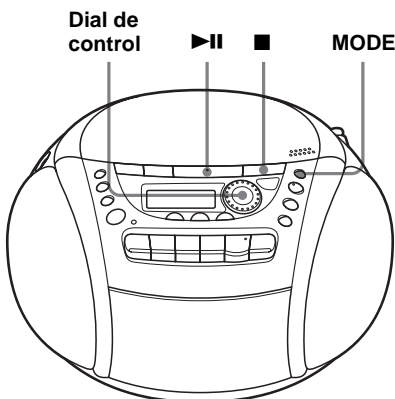


Para localizar	Presione
un punto mientras escucha el sonido	▶▶ (hacia delante) o ◀◀ (hacia atrás) durante la reproducción y manténgalo presionado hasta encontrar el punto. (En el mando a distancia, utilice ▶▶ o ◀◀.)
un punto mientras observa el visor	▶▶ (hacia delante) o ◀◀ (hacia atrás) durante una pausa y manténgalo presionado hasta encontrar el punto. (En el reproductor, utilice ▶▶ o ◀◀.)

Reproducción repetida de las pistas

(Reproducción repetida)

Puede reproducir las pistas repetidamente en los modos de reproducción normal, aleatoria o programada (consulte la página 14).



Para cancelar la reproducción repetida

Presione MODE hasta que “REP” desaparezca del visor.

- 1 Presione ■.
La indicación “Cd” aparece en el visor.

- 2 Realice lo siguiente.

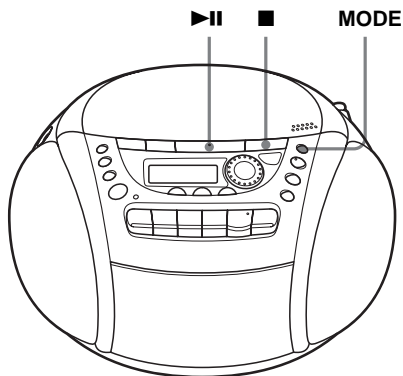
Para repetir Realice lo siguiente

- | | |
|---------------------------|--|
| una sola pista | 1 Presione MODE hasta que aparezca “REP 1”.
2 Gire el dial de control para seleccionar la pista que desee repetir.
3 Presione ▶ . |
| todas las pistas | 1 Presione MODE hasta que aparezca “REP ALL”.
2 Presione ▶ . |
| pistas en orden aleatorio | 1 Presione MODE hasta que aparezca “SHUF REP”.
2 Presione ▶ . |
| pistas programadas | 1 Presione MODE hasta que aparezca “PGM REP”.
2 Programe pistas (consulte el paso 3 de la página 14).
3 Presione ▶ . |

Reproducción de pistas en orden aleatorio

(Reproducción aleatoria)

Es posible reproducir las pistas en orden aleatorio.



- 1 Presione ■.
“Cd” aparece en el visor.
- 2 Presione MODE hasta que aparezca “SHUF” en el visor.
- 3 Presione ▶|| para iniciar la reproducción aleatoria.

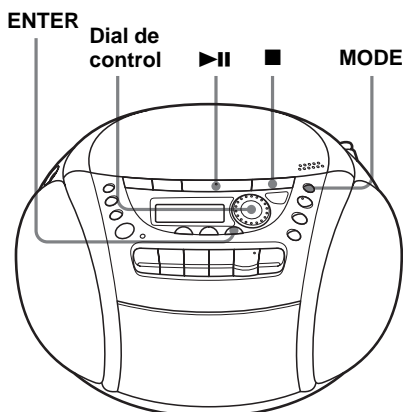
Para cancelar la reproducción aleatoria

Presione MODE hasta que desaparezca “SHUF” del visor.

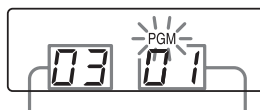
Creación de su propio programa

(Reproducción programada)

Puede crear un programa compuesto por un máximo de 20 pistas de un CD en el orden que desee reproducirlas.



- 1 Presione ■.
La indicación “Cd” aparece en el visor.
- 2 Presione MODE hasta que la indicación “PGM” aparezca en el visor.
- 3 Gire el dial de control para seleccionar la pista que desee programar y presione ENTER.
Repita este paso.



Pista programada

Orden de reproducción

- 4 Presione ▶|| para iniciar la reproducción programada.

Para cancelar la reproducción programada

Presione MODE hasta que “PGM” desaparezca del visor.

Para comprobar el orden de las pistas antes de la reproducción

Presione ENTER.

Cada vez que presione le botón, el número de pista aparece en el orden programado.

Para cambiar el programa actual

Presione ■ una vez si el CD está parado y dos veces si está reproduciéndose. El programa actual se borrará. A continuación, cree un nuevo programa siguiendo el procedimiento de programación.

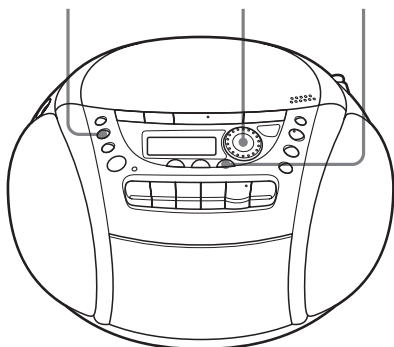
Sugerencias

- Es posible volver a reproducir el mismo programa, ya que éste queda almacenado hasta que abra el compartimiento de discos compactos.
- Puede grabar su propio programa. Después de crear el programa, inserte una cinta virgen y presione ● para iniciar la grabación.

Memorización de emisoras de radiodifusión

Es posible almacenar emisoras de radio en la memoria del reproductor. Es posible memorizar hasta 30 emisoras de radio (CFD-E90), 20 para FM y 10 para AM en cualquier orden o 40 emisoras de radio (CFD-E90L), 20 para FM y 10 para MW y LW respectivamente en cualquier orden.

**RADIO
BAND
AUTO PRESET** **Dial de control** **ENTER**



Si no es posible memorizar una emisora automáticamente

Las emisoras cuya señal sea débil deben memorizarse manualmente.

- 1 Presione **RADIO•BAND•AUTO PRESET** para seleccionar la banda.
- 2 Sintonice la emisora deseada.
- 3 Mantenga presionado **ENTER** durante 2 segundos.
- 4 Gire el dial de control para seleccionar el número de memorización en el que desee memorizar la nueva emisora.
- 5 Presione **ENTER** de nuevo.
La nueva emisora sustituye a la antigua.

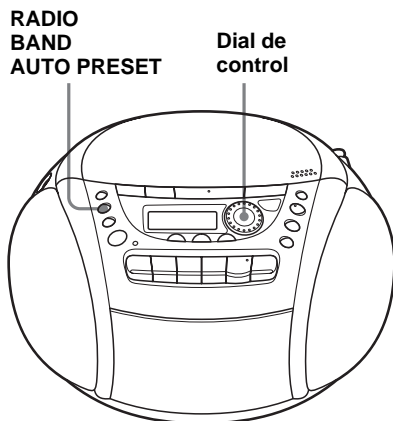
1 Presione **RADIO•BAND•AUTO PRESET** para seleccionar la banda.

2 Mantenga presionado **RADIO•BAND•AUTO PRESET** durante 2 segundos hasta que “**AUTO**” aparezca en el visor.

3 Presione **ENTER**.
Las emisoras se almacenan en memoria desde las frecuencias inferiores hasta las superiores.

Sintonía de emisoras memorizadas

Una vez memorizadas las emisoras, utilice el dial de control del reproductor o PRESET +, – del mando a distancia para sintonizar las emisoras que desee.



-
- 1** Presione RADIO•BAND•AUTO PRESET para seleccionar la banda.
 - 2** Gire el dial de control para sintonizar la emisora memorizada.
-

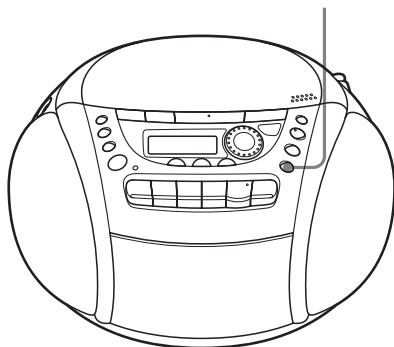
En el mando a distancia

- 1 Presione BAND hasta que el visor muestre la banda que desee.
- 2 Presione PRESET +, – para sintonizar la emisora memorizada.

Selección del énfasis de audio (MEGA BASS)

Puede ajustar el énfasis de audio del sonido que esté escuchando.

MEGA BASS



Refuerzo de los graves

Presione MEGA BASS.

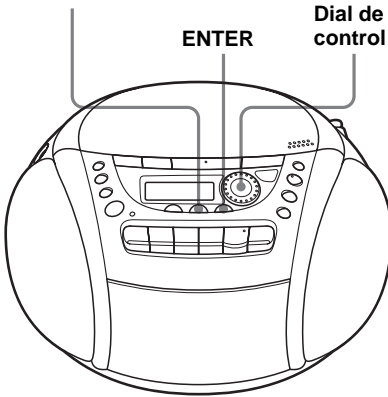
“MEGA BASS” aparece en el visor.

Para recuperar el sonido normal, vuelva a presionar el botón.

Ajuste del reloj

El visor mostrará la indicación “- -: - -” hasta que ajuste el reloj.

CLOCK/SLEEP/TIMER



- 3 Presione ENTER.
El reloj se pone en funcionamiento a partir de 00 segundos.

Sugerencia

Sistema de visualización de la hora:

CFD-E90: Sistema de 12 horas

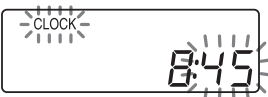
CFD-E90L: Sistema de 24 horas

Antes de poner el reloj en hora, conecte la fuente de alimentación (consulte la página 23).

- 1 Mantenga pulsado **CLOCK/SLEEP/TIMER** hasta que aparezca “**CLOCK**” en el visor.
El dígito de la hora parpadea.

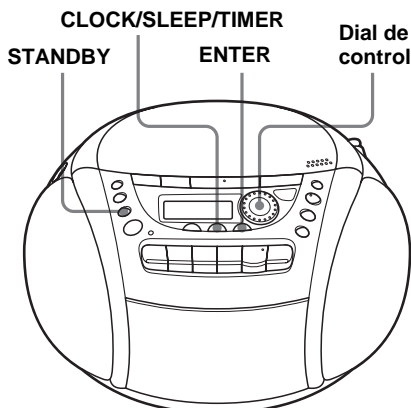


- 2 Gire el dial de control para ajustar la hora actual. A continuación, presione **ENTER**.
Los dígitos de los minutos parpadean. Ajuste los minutos girando el dial de control hasta que aparezcan los minutos correctos.



Activación automática de la unidad

Puede programar la hora de activación de la unidad para despertarse con música o radio. Asegúrese de haber ajustado el reloj (Consulte “Ajuste del reloj” en la página 19).



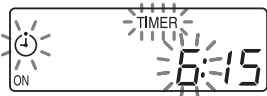
Antes de comenzar, compruebe que la indicación (reloj) no está iluminada en el visor. Si lo está, presione STANDBY.

- 1 Prepare la fuente musical que desee reproducir.

Para reproducir	Realice lo siguiente
la radio	Sintonice una emisora.
un CD	Inserte un CD.

- 2 Presione CLOCK/SLEEP/TIMER hasta que “TIMER” aparezca en el visor y, a continuación, presione ENTER. La indicación (reloj) parpadea.

- 3 Ajuste en el temporizador la hora a la que desee que se inicie la música; para ello, gire el dial de control y, a continuación, presione ENTER.

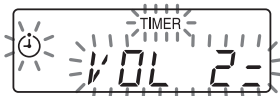


Ajuste los minutos y, a continuación, presione ENTER.

- 4 Defina en el temporizador la hora y los minutos en que desea que se desactive la música. (Realice la acción del paso 3.)

- 5 Seleccione la fuente de música (“Cd” o “RADIO”) girando el dial de control y, a continuación, presione ENTER.

- 6 Gire el dial de control para ajustar el volumen y, a continuación, presione ENTER.



- 7 Presione STANDBY. La indicación se ilumina y la alimentación se desactiva. A la hora programada, la unidad se encenderá y la música se reproducirá. A continuación, la unidad se apagará a la hora programada y el reproductor entrará en el modo de espera.

Para comprobar o modificar el momento de inicio de la reproducción

Presione CLOCK/SLEEP/TIMER hasta que “TIMER” aparezca en el visor y, a continuación, presione ENTER. Cada vez que presione ENTER, aparecerá un ajuste almacenado en el orden ajustado. Para cambiar el ajuste, muestre el que desee cambiar y vuelva a introducirlo.

Para emplear el reproductor antes del inicio de una reproducción con temporizador

Basta con encender el reproductor y emplearlo con normalidad.

Si apaga el reproductor antes de la hora programada, la reproducción con temporizador se iniciará a la hora definida.

No obstante, en el caso de la radio, si escucha una emisora diferente de la sintonizada en el paso 1 de la página 20, escuchará esa emisora a la hora programada. Asegúrese de sintonizar la emisora que desee escuchar antes de apagar el reproductor.

Para detener la reproducción

Presione OPERATE (o POWER) para desactivar la alimentación.

Notas

- Cuando presione STANDBY en el paso 7 de la página 20, asegúrese de que no ha presionado el botón ◀ ni ● del reproductor de cintas.
- Al presionar el botón ◀ o ● del reproductor de cintas en el modo de temporizador:

Si la longitud de una cara de la cinta supera la hora ajustada, el reproductor se apagará al final de la cinta, no a la hora ajustada.

Sugerencias

- Para salir del modo de espera, presione STANDBY para que ☺ desaparezca del visor.
- Los ajustes programados se conservan hasta que vuelva a ajustarlos.

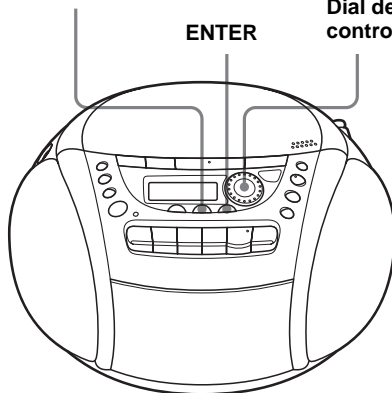
Desactivación automática de la unidad

Es posible ajustar el reproductor para que se desactive automáticamente transcurridos 10, 20, 30, 60, 90 y 120 minutos, de forma que pueda dormirse mientras escucha música.

CLOCK/SLEEP/TIMER

ENTER

Dial de control



Temporizador

- 1 Reproduzca la fuente musical que desee.
- 2 Presione CLOCK/SLEEP/TIMER hasta que "SLEEP" aparezca en el visor y presione ENTER.
- 3 Gire el dial de control para seleccionar los minutos tras los cuales el reproductor se apagará automáticamente.
Cada vez que gire el dial de control, la indicación cambiará de la siguiente forma:
"60" → "90" → "120" → "OFF" → "10" → "20" → "30".



continúa

Desactivación automática de la unidad (continuación)

Para cancelar la función de desactivación automática

Presione OPERATE (o POWER) para desactivar la alimentación.

Nota

Cuando reproduzca una cinta utilizando esta función:

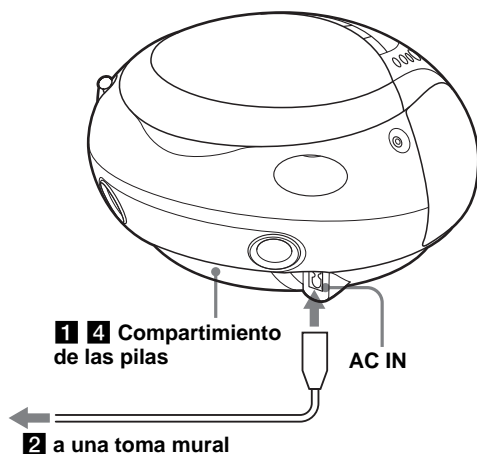
Si la duración de una cara de la cinta es superior al tiempo establecido, el reproductor no se detendrá hasta que la cinta llegue al final.

Sugerencias

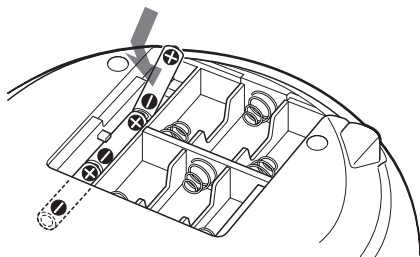
- Es posible dormirse y despertarse con música diferente. Ajuste primero el temporizador de activación (consulte la página 20), active la alimentación y, a continuación, ajuste el temporizador de desactivación. No obstante, no es posible almacenar emisoras de radio diferentes.
- Es posible definir niveles de volumen diferentes para el temporizador de activación y para el de desactivación. Por ejemplo, puede quedarse dormido con un nivel de volumen menor y despertarse con un volumen mayor.

Selección de la fuente de alimentación

Puede utilizar la alimentación de CA o las pilas como fuente de alimentación.

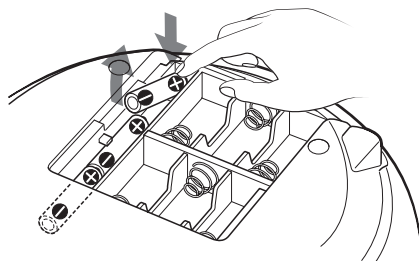


- 1** Inserción de las pilas de respaldo
Inserte cuatro pilas R6 (tamaño AA) (no suministradas) en el compartimento de pilas. Estas pilas sirven para proteger los datos de la memoria.



Sustitución de las pilas

Retire las pilas como se ilustra.



Nota

Antes de sustituir las pilas, asegúrese de extraer el CD del reproductor.

continúa

Selección de la fuente de alimentación (continuación)

- 2** Conexión del cable de alimentación
- Inserte un extremo del cable de alimentación suministrado en la clavija AC IN situada en la parte posterior del reproductor, y el otro extremo en la toma mural.

Cambio del intervalo de sintonización de AM/MW

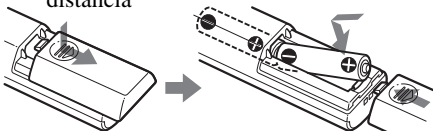
El intervalo de sintonización de AM/MW se presintoniza en fábrica a 9 kHz.

Si es preciso cambiar el intervalo de sintonización de AM/MW, realice lo siguiente:

- 1 Presione RADIO•BAND•AUTO PRESET hasta que aparezca “AM” o “MW”.
- 2 Presione ENTER durante 2 segundos.
- 3 Presione RADIO•BAND•AUTO PRESET durante 2 segundos.
“AM 9” “MW 9” o “AM 10” “MW 10” parpadea.
- 4 Gire el dial de control con el fin de seleccionar “AM 9” “MW 9” para el intervalo de 9 kHz o “AM 10” “MW 10” para el de 10 kHz.
- 5 Presione ENTER.

Tras cambiar el intervalo de sintonización, deberá reajustar las emisoras de radio de AM/MW memorizadas.

- 3** Inserción de las pilas en el mando a distancia



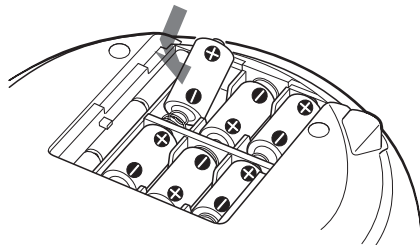
Inserte dos pilas R03 (tamaño AAA) (no suministradas).

Sustitución de las pilas

Con un uso normal, las pilas deben durar aproximadamente seis meses. Cuando el reproductor no responda al mando a distancia, sustituya todas las pilas por unas nuevas.

- 4** Utilización del reproductor con pilas
- Inserte seis pilas R14 (tamaño C) (no suministradas) en el compartimento de las pilas.

Para utilizar el reproductor con las pilas, desconecte el cable de alimentación del mismo.



Sustitución de las pilas

Sustituya todas las pilas por otras nuevas si el indicador OPR/BATT presenta una luz tenue, o si el reproductor deja de funcionar. Sustituya todas las pilas por otras nuevas.

Notas

- Antes de sustituir las pilas, asegúrese de extraer el CD del reproductor.
- Al utilizar el reproductor con pilas, no es posible encenderlo con el mando a distancia.

Sugerencia

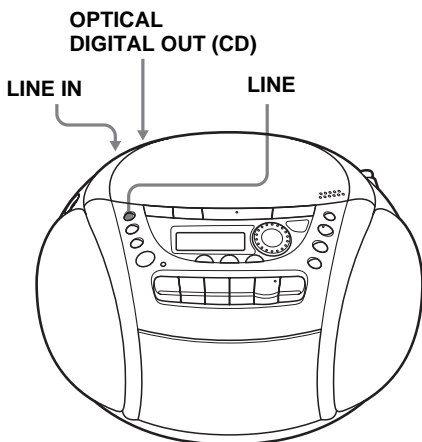
Si utiliza el reproductor con pilas, sustituya las pilas de respaldo cuando la indicación de tiempo se atenúe o no pueda controlar el temporizador. Reemplace todas las pilas por otras nuevas. Con un uso normal, las pilas de respaldo deben durar aproximadamente seis meses. Para guardar los datos de la memoria, sustituya las pilas por el cable de alimentación conectado.

Conexión de componentes opcionales (sólo CFD-E90L)

Es posible grabar un CD en un MD o disfrutar del sonido de una videograbadora, televisor o una grabadora/reproductor de MD mediante los altavoces de este reproductor.

Asegúrese de desactivar la alimentación de cada componente antes de realizar las conexiones.

Para más información, consulte el manual de instrucciones del componente que vaya a conectar.



* Seleccione el cable de conexión en función del tipo de toma de entrada digital de la grabadora que vaya a conectar. Para más información, consulte el manual de instrucciones del componente que vaya a conectar. La toma OPTICAL DIGITAL OUT (CD) de esta unidad es cuadrada.

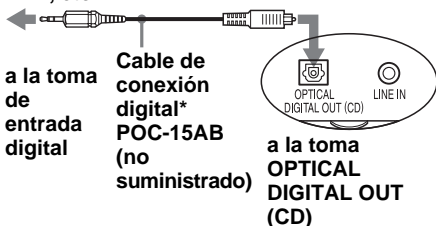
Tipo de toma del componente que vaya a conectarse	Número de modelo del cable de conexión
Minienchufe óptico (grabadora de MD, etc.)	POC-15AB
Conector óptico de forma cuadrada (grabadora de MD, grabadora DAT, etc.)	POC-15A

- 1 Abra la cubierta de las tomas MD LINK del reproductor y conecte la toma OPTICAL DIGITAL OUT (CD) con la toma de entrada digital de la grabadora de Minidisc u otro componente que utilice un cable de conexión digital (no suministrado).
- 2 Active la alimentación de este reproductor y del componente conectado.
- 3 Prepare el componente conectado para la grabación.
- 4 Inicie la reproducción del CD de este reproductor

Grabación de un CD en una grabadora de MD y DAT

Grabadora de MD, grabadora DAT, etc.

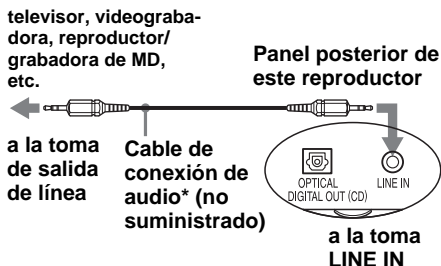
Panel posterior de este reproductor



continúa

Conexión de componentes opcionales (continuación)

Escucha del televisor, videograbadora y reproductor/grabadora de MD



- * Para grabadora de MD: un cable con un miniconector estéreo en ambos extremos.
Para TV y videograbadora: un cable con un miniconector estéreo en un extremo y dos conectores fonográficos en el otro.

- 1 Abra la cubierta de las tomas MD LINK del reproductor y conecte la toma LINE IN con la toma de salida de línea del reproductor de Minidisc u otro componente que utilice un cable de conexión audio (no suministrado).
- 2 Active la alimentación de este reproductor y del componente conectado.
- 3 Presione LINE e inicie la reproducción de sonido en el componente conectado. El sonido del componente conectado se emite por los altavoces.

Nota

Conecte los cables firmemente para evitar fallos de funcionamiento.

Sugerencia

Es posible grabar el sonido del componente conectado. Inserte una cinta virgen en el compartimento de cintas, y presione ● (página 11).

Precauciones

Seguridad

- No desmonte el aparato, ya que el haz láser utilizado en la sección del reproductor de discos compactos es perjudicial para los ojos. Solicite asistencia técnica sólo a personal especializado.
- Si cae algún objeto sólido o se vierte líquido sobre el reproductor, desenchúfelo y haga que lo revise personal especializado antes de volver a utilizarlo.
- Los discos con formas no estándar (p.ej., corazón, cuadrado, estrella) no pueden reproducirse en este reproductor. Si lo intenta, puede dañar el reproductor. No utilice tales discos.

Fuentes de alimentación

- Cuando lo alimente con CA, compruebe que la tensión de funcionamiento del reproductor coincide con la del suministro eléctrico local (consulte “Especificaciones”) y utilice el cable de corriente suministrado; no emplee otro tipo de cable.
- El reproductor no estará desconectado de la fuente de alimentación de CA (corriente eléctrica) mientras esté conectado a la toma mural, aunque lo haya apagado.
- Para el funcionamiento con pilas, utilice seis pilas R14 (tamaño C).
- Si no va a utilizar las pilas, extraígalas para evitar posibles daños causados por el derrame del electrolito o la corrosión de las mismas.
- La placa de características que indica la tensión de funcionamiento, consumo de energía, etc., está situada en la parte inferior.

Colocación

- No deje el reproductor en un lugar cercano a fuentes térmicas ni expuesto a la luz solar directa, al polvo excesivo ni a golpes mecánicos.
- No coloque el reproductor en un lugar inclinado ni inestable.
- No coloque ningún objeto a una distancia inferior a 10 mm. de los lados del aparato. Procure no obstruir los orificios de ventilación para lograr el funcionamiento apropiado del reproductor y prolongar la duración de sus componentes.
- Si deja el reproductor en el automóvil aparcado al sol, elija un lugar dentro del automóvil donde la unidad no esté expuesta a los rayos directos del sol.
- Puesto a que los altavoces están provistos de imanes potentes, mantenga alejados del reproductor tarjetas personales de crédito con codificación magnética y relojes de cuerda para prevenir posibles daños producidos por los imanes.

Funcionamiento

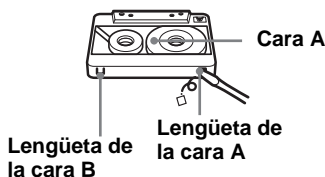
- Si desplaza el reproductor directamente de un lugar frío a otro cálido, o si lo coloca en una sala muy húmeda, puede condensarse humedad en la lente del interior de la sección del reproductor de discos compactos. Si esto ocurre, el reproductor no funcionará adecuadamente. En este caso, extraiga el CD y espere durante una hora aproximadamente hasta que se evapore la humedad.
- Si no ha utilizado el reproductor durante mucho tiempo, déjelo unos minutos en el modo de reproducción para que se caliente antes de insertar un casete.

continúa

Precauciones (continuación)

Notas sobre casetes

- Rompa la lengüeta del casete de la cara A o B para evitar grabaciones accidentales. Si desea volver a utilizar la cinta para realizar grabaciones, cubra el orificio de la lengüeta rota con cinta adhesiva.



- No se recomienda el uso de casetes de tiempo de reproducción superior a 90 minutos, excepto para grabación o reproducción continua y de larga duración.

Notas sobre discos compactos

- Antes de la reproducción, limpie el CD con un paño de limpieza desde el centro hacia los bordes.



- No utilice disolventes como bencina, diluyentes, limpiadores comercialmente disponibles o rociadores antiestáticos para discos de vinilo.
- No exponga el CD a la luz solar directa ni a fuentes térmicas como conductos de aire caliente; tampoco lo deje en un automóvil aparcado al sol, ya que puede producirse un considerable aumento de temperatura en el interior del automóvil.
- No adhiera papeles ni adhesivos sobre el CD, ni arañe su superficie.
- Tras la reproducción, guarde el CD en su caja.

Si el disco está rayado, sucio o tiene huellas dactilares, pueden producirse errores de seguimiento.

Acerca de los discos CD-R/CD-RW

Este reproductor puede reproducir CD-R o CD-RW grabados en formato CD-DA*, pero la calidad de la reproducción puede variar en función de la calidad del disco y el estado del dispositivo de grabación.

* CD-DA es la abreviatura de Compact Disc Digital Audio, que es un estándar de grabación utilizado para los CD de audio.

Discos de música codificados mediante tecnologías de protección de los derechos de autor

Este producto se ha diseñado para reproducir discos que cumplen con el estándar Compact Disc (CD). Recientemente, algunas compañías discográficas comercializan discos de música codificados mediante tecnologías de protección de derechos de autor. Tenga en cuenta que, entre estos discos, algunos no cumplen con el estándar CD, por lo que no podrán reproducirse mediante este producto.

Si desea realizar alguna consulta o solucionar algún problema referente al reproductor, póngase en contacto con el proveedor Sony más próximo.

Solución de problemas

General

La alimentación no se activa.

- Conecte el cable de alimentación a la clavija AC IN y a una toma mural con firmeza.
- Asegúrese de que ha insertado las pilas correctamente.
- Sustituya todas las pilas por otras nuevas si están agotándose.
- No es posible encender el reproductor con el mando a distancia al utilizar dicho reproductor con pilas.

Ausencia de sonido.

- Desenchufe los auriculares para recibir sonido a través de los altavoces.

La alimentación se desactiva inesperadamente.

- Sustituya todas las pilas por otras nuevas.

Se oye un ruido inusual.

El sonido se oye con ruido, es débil o es de mala calidad.

- Sustituya todas las pilas por otras nuevas si están agotándose.

En el visor aparecen varias indicaciones una tras otra.

- El reproductor se encuentra en modo de demostración.
 - Ajuste el reloj, o actívelo y, a continuación, pulse DISPLAY durante 2 segundos aproximadamente para cancelar el modo de demostración.

Se oye ruido.

- Alguien está utilizando un teléfono móvil u otro equipo que emite ondas de radio cerca del reproductor.
 - Aleje dicho teléfono, etc., del reproductor.

Reproductor de discos compactos

El CD no se reproduce o la indicación “no diSC” se ilumina en el visor aunque haya un CD insertado.

- Inserte el CD con la superficie de la etiqueta hacia arriba.
- Limpie el CD.
- Extraiga el CD y deje abierto el compartimento de discos compactos durante una hora aproximadamente hasta que se seque la condensación de humedad.
- El CD-R/CD-RW no está finalizado. Finalice el CD-R/CD-RW con el dispositivo de grabación.
- Existe un problema con la calidad del CD-R/CD-RW, el dispositivo de grabación o el software de aplicación.
- Sustituya todas las pilas por otras nuevas si están agotándose.

Pérdida de sonido.

Se oye ruido.

- Reduzca el volumen.
- Limpie el CD o sustitúyalo si está gravemente dañado.
- Sitúe el reproductor en un lugar sin vibraciones.
- Limpie la lente con un soplador disponible en el mercado.
- Pueden producirse pérdidas de sonido o ruido si se utilizan discos CD-R/CD-RW de mala calidad o si existe algún problema con el dispositivo de grabación o el software de aplicación.

No es posible abrir ni cerrar la tapa del compartimento de discos.

- Coloque el reproductor sobre una superficie plana y abra o cierre la tapa.

Radio

El sonido es demasiado bajo o presenta mala calidad.

- Sustituya todas las pilas por otras nuevas si están agotándose.
- Aleje el reproductor del televisor.
- Si emplea el mando a distancia mientras escucha una emisión de AM (CFD-E90) o de MW/LW (CFD-E90L), es posible que se oiga ruido. Esto es inevitable.

Solución de problemas (continuación)

La imagen del televisor no es estable.

- Si escucha un programa en FM cerca del televisor con una antena interior, aleje el reproductor del televisor.
-

Reproductor de cintas

La cinta permanece inmóvil cuando presiona un botón de funcionamiento.

- Cierre el compartimiento de la cinta con firmeza.
-

El botón REC ● no funciona.

La cinta no se reproduce.

- Asegúrese de que el casete está provisto de lengüeta de seguridad.
-

La cinta no se borra por completo.

- Limpie los cabezales borradores (consulte la página 31).
 - Sustituya todas las pilas por otras nuevas si están agotándose.
 - Se está reproduciendo una fuente que se grabó en una cinta TYPE II (posición alta) o TYPE IV (metal) con esta unidad. Grabe en una cinta TYPE I (normal) y reproduzca.
-

La cinta no puede grabarse.

- Asegúrese de que ha insertado la cinta correctamente.
 - Asegúrese de que el casete está provisto de lengüeta de seguridad.
-

El sonido es débil o de mala calidad.

- Limpie los cabezales, el rodillo compresor y el eje de arrastre (consulte la página 31).
 - Desmagnetice los cabezales con un desmagnetizador (consulte la página 31).
-

El sonido se distorsiona.

- Está utilizando cintas TYPE II (posición alta) o TYPE IV (metal). Emplee sólo cintas TYPE I (normal).
-

Temporizador

El temporizador no funciona.

- Asegúrese de que el reloj muestra la hora correcta.
 - Compruebe si se ha producido un corte de suministro de CA.
 - Compruebe que el visor muestra la indicación ⌚ (reloj).
-

Mando a distancia

El mando a distancia no funciona.

- Sustituya todas las pilas del mando a distancia por unas nuevas si disponen de poca energía.
 - Cerciórese de que orienta el mando a distancia hacia el sensor de control remoto del reproductor.
 - Elimine los obstáculos que haya entre el mando a distancia y el reproductor.
 - Compruebe que el sensor de control remoto no esté expuesto a iluminaciones intensas, como a la luz solar directa o a lámparas fluorescentes.
 - Acérquese al reproductor cuando utilice el mando a distancia.
-

Si los problemas persisten después de haber realizado las soluciones sugeridas, desenchufe el cable de alimentación de CA y extraiga todas las pilas. Una vez que desaparezcan todas las indicaciones del visor, enchufe el cable de alimentación y vuelva a insertar las pilas. Si el problema no se soluciona, póngase en contacto con el proveedor Sony más próximo.

Mantenimiento

Limpeza de la lente

Si la lente se ensucia, pueden producirse pérdidas de sonido durante la reproducción del CD. Límpiela con un soplador disponible en establecimientos especializados.

Limpeza de las los cabezales y la trayectoria de la cinta

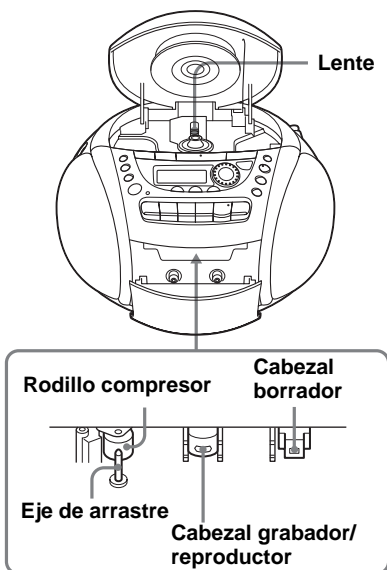
Para obtener una calidad de reproducción y grabación óptima, limpie los cabezales, el rodillo compresor y el eje de arrastre con una escobilla de limpieza ligeramente humedecida en un líquido limpiador o alcohol cada 10 horas de funcionamiento. Sin embargo, para realizar grabaciones con la mayor calidad posible, se recomienda limpiar todas las superficies por las que se desplaza la cinta antes de cada grabación.

Desmagnetización de los cabezales de cinta

Transcurridas entre 20 a 30 horas de uso, se concentra suficiente cantidad de magnetismo residual en los cabezales de cinta para empezar a causar pérdida de sonido de alta frecuencia y siseo. Llegado este momento, deben desmagnetizarse los cabezales y todos los componentes de metal del recorrido de la cinta con un desmagnetizador de cabezales que podrá adquirir en establecimientos especializados.

Limpeza del exterior

Limpie la caja, el panel y los controles con un paño suave ligeramente humedecido en una solución detergente poco concentrada. No utilice estropajos, detergentes abrasivos ni disolventes como alcohol o bencina.



Una vez realizada la limpieza, inserte una cinta cuando las zonas limpias estén completamente secas.

Especificaciones

Sección del reproductor de discos compactos

Sistema

Sistema audiodigital de discos compactos

Propiedades del diodo láser

Material: GaAlAs

Longitud de onda: 780 nm

Duración de emisión: Continua

Salida de láser: Menos de 44,6 μ W

(Esta salida es el valor medido a una distancia de unos 200 mm de la superficie del objetivo del bloque fonocaptor óptico con una apertura de 7 mm.)

Velocidad del eje

200 rev./min. (rpm) a 500 rev./min. (rpm) (CLV)

Número de canales

2

Respuesta de frecuencia

20 - 20 000 Hz

Fluctuación y trémolo

Por debajo del límite medible

Sección de la radio

Margen de frecuencias

CFD-E90

FM 87,5 - 108 MHz

AM 531 - 1 611 kHz (intervalo de 9 kHz)
530 - 1 610 kHz (intervalo de 10 kHz)

CFD-E90L

FM 87,5 - 108 MHz

MW 531 - 1 611 kHz (intervalo de 9 kHz)
530 - 1 610 kHz (intervalo de 10 kHz)

LW 153 - 279 kHz

IF

FM: 10,7 MHz

AM/MW/LW: 450 kHz

Antenas

FM: Antena telescópica

AM/MW/LW: Barra de ferrita incorporada

Sección de la grabadora de cassetes

Sistema de grabación

4 pistas, 2 canales estéreo

Tiempo de bobinado rápido

110 seg. aprox. con cassetes Sony C-60

Respuesta de frecuencia

TYPE I (normal): 50 - 15 000 Hz

Generales

Altavoz

Gama completa: 8 cm. de diám., 4 Ω , tipo cónico (2)

Salidas

Toma de auriculares (minitoma estéreo)

Para auriculares de 16 - 68 Ω de impedancia

Salida máxima de potencia

4 W

Requisitos de alimentación:

Para radiocasete con reproductor de discos compactos:

Modelo coreano: 220 V CA, 60 Hz

Otros modelos: 230 V CA, 50 Hz

9 V CC, 6 pilas de R14 (tamaño C)

Para respaldo de memoria:

4,5 V CC, 3 pilas R6 (tamaño AA)

Para el mando a distancia:

3 V CC, 2 pilas R03 (tamaño AAA)

Consumo

CA 14 W

Duración de las pilas

Para radiocasete con reproductor de discos compactos:

Grabación de FM

Sony R14P: 13,5 h. aprox.

Alcalinas LR14 Sony: 20 h. aprox.

Reproducción de cintas

Sony R14P: 7,5 h. aprox.

Alcalinas LR14 Sony: 15 h. aprox.

Reproducción de discos compactos

Sony R14P: 2,5 h. aprox.

Alcalinas LR14 Sony: 7 h. aprox.

Dimensiones

272 \times 164 \times 285 mm. aprox. (an/al/f)
(incluyendo partes salientes)

Peso

3 kg. aprox. (incluyendo las pilas)

Accesorios suministrados

Cable de alimentación (1)

Mando a distancia (1)

El diseño y las especificaciones están sujetos a cambio sin previo aviso.

Accesorios opcionales

Auriculares de la serie MDR Sony

Índice alfabético

A, B

Ajuste del reloj 19

C

Conexión

del cable de
alimentación de CA 23
de componentes
opcionales 25

Creación de su propio
programa 14

D

Desmagnetización de los
cabezales de cinta 31

E

Emisoras de radio
memorización 16
sintonía 17

Énfasis de audio 18

Escucha del TV,
videograbadora y reproductor
de MD 26

F

Fuentes de alimentación 23

G, H, I, J, K

Grabación en una cinta 10

L

Limpieza

cabezas y recorrido de
cinta 31
exterior 31

Localización de una pista
específica 12

M, N, O

MEGA BASS 18

Mejora de la recepción de
emisoras 7

Memorización de emisoras
de radiodifusión 16

P, Q

Pilas

para el mando a distancia
24

para el reproductor 24

para memoria 23

Preparativos 23

R

Radiorecepción 6

Reproducción

emisoras de radio
programadas 17
pistas de forma repetida 13
un CD 4
una cinta 8

Reproducción aleatoria 14

Reproducción programada 14

Reproducción repetida 13

Reproductor de CD 12

S

Selección

énfasis de audio 18
pistas 5

Selección de la fuente de
alimentación 23

Solución de problemas 29

T

Temporizador

Activación automática de
la unidad 20
Desactivación automática
de la unidad 21

U

Utilización del visor 12

V, W, X, Y, Z

Visor 12

